

BEARINGS

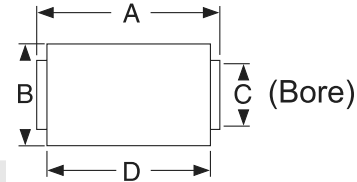
Special Ag Bearings	2-8
Radial Ball Bearings.....	9-16
Special Mounted Unit Ag Bearings	17-22
Heavy Duty Disk Bearings	23-38
Disk, Hipper, Plow, and Ripper Stripper	39-47
Wheel Hub and Bearing Kits	48-54
Mounted Units and Inserts—Import.....	55-68
Mounted Units and Inserts—Timken®.....	69-80
Timken® Tapered Roller Bearings	81-105
Grease Seals: Timken® and SKF	106-124

SPECIAL AG BEARINGS

PART #	DESCRIPTION				DIAGRAM	
885151E	Long Stem Cultivator Bearing Replaces Case #T26882, IHC® #526769R91, and Glenco #P3573.					
	A	B	C	D		
	3.850"	1.531"	2.162"	0.6267"		
885154B	Short Stem Cultivator Bearing Replaces John Deere® #AN131668, Massey Ferguson #446612MI, and Noble #369851.					
	A	B	C	D		
	2.940"	1.531"	1.198"	0.6267"		
885152	Short Stem Cultivator Bearing with Hole To fit John Deere® 7000-7100 and IHC® 800 planters. Replaces John Deere® #AA21015-AA35741, IHC® #128558C91; and Kinze #A2022 press wheel and closing wheel.					
	A	B	C	D		E
	2.938"	1.531"	1.250"	0.6267"		2.438"
885118B	Double Stem Cultivator Bearing Replaces Glenco #P6310, Massey Ferguson #42185MI, and Noble #601440F1. Also fits Lilliston.					
	A	B	C	D		
	5.031"	1.531"	1.750"	0.6267"		
DC2207F	Double Stem Bearing For Dickey cultivator. 3/8" end drilled and tapped. White #247658B.					
	A	B	C	D		E
	5.024"	1.531"	1.747"	0.6267"		1.0625"
885175	Double Stem Packer Wheel Bearing For Marliss grain drill. Fits 4x12 and 2x13 wheels. Replaces Marliss #702017.					
	A	B	C	D		E
	4.890"	1.531"	1.700"	0.6267"		0.475"
WK2250	Packer Wheel Bearing for IHC To fit 800 series planter. Replaces IHC #140393C91.					
	A	B	C	D		
	2.500"	1.500"	0.510"	2.125"		

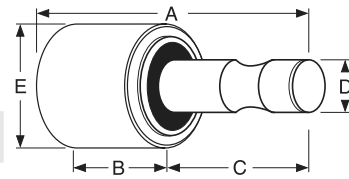
PART #	DESCRIPTION	DIAGRAM
--------	-------------	---------

5203KYY2 Triple Lip Seal • Exact OEM Replacement
 Fits John Deere® 750 no till grain drill and Marker assembly. Also fits late model 1700 Planter. Replaces John Deere® #AN212132. Also fits Kinze planter #GA6171. Also fits Great Plain planter. Replaces BCA® #5203VVAN, Fafnir #5203KYY2, and Koyo DAC #164044-2RS.



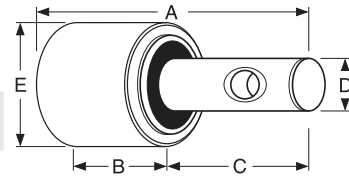
TIMKEN® 5203KYY2AG	A	B	C	D
	1.725"	1.575"	0.640"	1.535"

AGRI #AA38106 Stem Bearing with Bushing
 To fit 7300 planter gauge wheel. Bearing only #885154B.



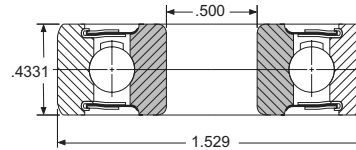
AGRI #AA38106	A	B	C	D	E
	2.940"	1.531"	2.162"	0.6267"	1.585"

AGRI #AA35741WB Stem Bearing with Bushing
 To fit 7100 planter gauge wheel. Replaces: #AA35951. Bearing only #885152.



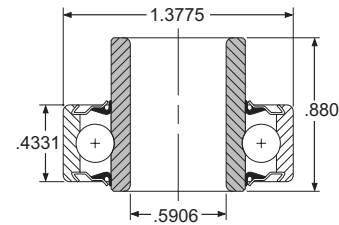
AGRI #AA35741WB	A	B	C	D	E
	2.940"	1.531"	2.162"	0.6267"	1.565"

202NPP9-I Pickup Reel for Roanoke & Lilliston Peanut Combine Ground Roller Bearing
 Replaces Roanoke #6585 and Lilliston #15-50-025.

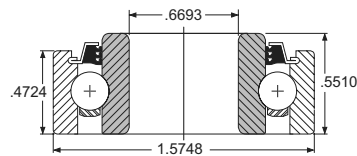


202RRE-I Cutter Head Bearing for Roanoke Tobacco Planter
 Replaces Roanoke #24877

TIMKEN®
J202KRR8 AG



203-K Inner Bearing for Models 296 and 386 IHC® Planter Disc Opener
 Replaces IHC® #ST620 or #1969300C or #80437C91 inner bearing for John Deere® closing wheel on 7300 planter. Replaces John Deere® #AA35638 and Fafnir® #203KYP2.

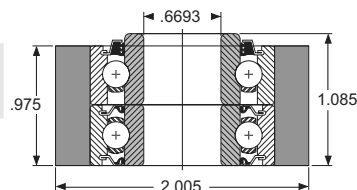


Kit Number: 2B35638 Bearing Assembly for Closing Wheel on John Deere 7300 Planter
Components: Consists of Outer Bearing, Inner Bearing and Bushing.

203K Inner Bearing only for above.
 Ref. John Deere® #AA34132.

6203-2RS Outer Bearing only for above.
 Ref. John Deere® #8535.

2B43769 Bushing only for above. Ref. John Deere® #A43769. Replaces John Deere® #AB35638.

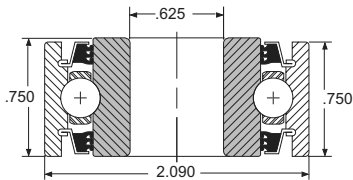
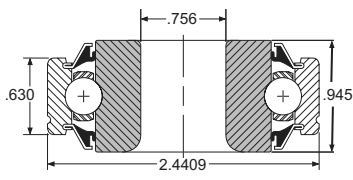
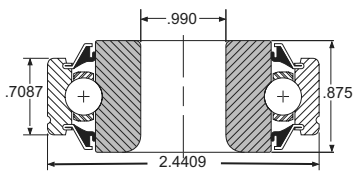
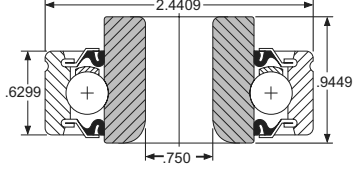
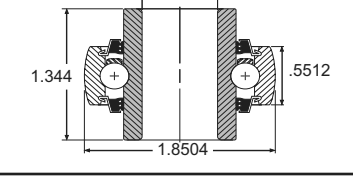
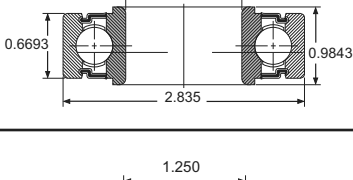
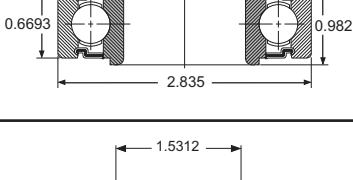
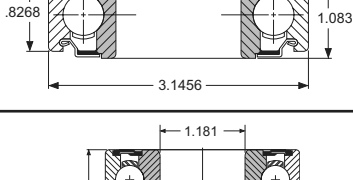
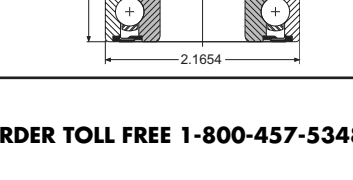


SPECIAL AG BEARINGS

PART #	DESCRIPTION	DIAGRAM
203KRR2 TIMKEN® 203RR2 AG	For Planters, Gauge Wheel, Rotary Hoe, and Many Various Applications BCA® #203RRAR10, Case #F16246, Ford #222279, Gehl #520117, IHC® #666624R91, John Deere® #JD9214, Lilliston #20-50-006, New Holland #66553, and White #2SH862.	
203KRR-5 TIMKEN® 203KRR5 AG	Disc Opener for Bridger Planter Press Wheel for Tye Grain Drill Also fits IHC® Windrower, AC, JD, Case, and other applications. Replaces: IHC® 611928R91, Tye #522-20SP, BCA® #203RRAR8, AC562134.	
204BBAR 3/4" Bore USA 204RR6	Used on Various Cultivators, Gauge Wheels, Planters, Disc Tillers, Mowers, Spindles, Lawnmowers, & Other Implement Applications John Deere® #JD9296, Lilliston #20-50-094, Swapper #10696, Yazoo #204060, BCA® #204BBAR, Fafnir® #P204KRNP-2, Fafnir® #204RR6, and IHC® #465003R91.	
204BBE-I TIMKEN® 204RR8 AG	Fits Crust Buster & Great Plains Drills Also fits other various applications. Replaces: Fafnir® #204RR8, Great Plains #822-003-C, and BCA® #204 BBE.	
204FGB-I TIMKEN® 204KRD4 AG	White 3405, 3407, 3408 Air Planter Bearing for Disc Opener & Seed Drills Fits TYE and other popular models. Replaces: TYE #552-202, BCA® #204FGB, White #300279B, and Fafnir® #204KRD4.	
204FREN-I TIMKEN® 204PY3 AG	Double Disc Opener for IH 800 Planter Disc Opener for John Deere® 7000-7100 Planter Replaces: John Deere® #AA21480, IHC® #145161C91, IHC® #1258017C91, IHC® #492757R91, IHC® #493532R91, Fafnir® #204RY2, KOYO-DG16452RS, BCA® #204FREN.	
204FRK-I TIMKEN® H204RR11 AG	White Planter Disk Furrower, Fertilizer Opener & Planter Boot Special seals and special internal clearance with wide inner ring.	
205KR3-I	Will fit John Deere & IH Coulter Wheels, IHC® Cotton Picker & Lilliston Carry Wheels Replaces: BCA® #205RHN, IHC® #669807C91, John Deere® #JD9331, Lilliston #20-50-012.	
205KRR-2 7/8" Bore TIMKEN® 205KRR2 AG	Hex Bore Bearing for John Deere® 7000 - 7300 Planters Replaces: JD #AA28271, BCA® #HPC014GP. Cylindrical O.D.	

PART #	DESCRIPTION	DIAGRAM
<p>205KRRB-2</p> <p>TIMKEN® 205KRRB-2 AG</p>	<p>7/8" Hex Bore Bearing for John Deere® 7000 - 7300 Planter</p> <p>Replaces: #JDAA22097, #JD9260, IHC® #195293C, Kinze #G2-10003, and BCA® #HPS014GP.</p>	
<p>205PP-10</p> <p>TIMKEN® 205PP10 AG</p>	<p>Bore Potato Harvester Bearing with Extended Inner Ring & Triple Lip Seals</p> <p>0.630" x 2.0472"</p>	
<p>205RVA</p> <p>TIMKEN® 205KRP2</p>	<p>Fits John Deere® 7000-7100 Folding Internal, Planter, Furrow Opener, and Outer Marker Arm Bearing 1974 & Up</p> <p>Fits Marliss and Best Drills. W&A, row marker, and Forrest City planter ripper. John Deere® #A27002, Fafnir® #205KRP2, IHC® #1337998C1, and Marliss #702020.</p>	
<p>205PPB-7</p> <p>205PPB7 AG</p>	<p>Lilliston Cultivator with 15/16" Bore</p> <p>Fits Kelly Mfg. rolling cultivator, Kelly #04-051-001. Replaces: Lilliston #20-50-20 or #20-61-001, Rhino #70514.</p>	
<p>205RRAN-I</p>	<p>3/4" Bore Disc Opener for Marliss & Best Grain Drill</p> <p>Also fits W&A Row Marker. Replaces: JD #B30418.</p>	
<p>205TNJ-I</p>	<p>3/4" Bore Fits Lilliston Rolling Cultivator.</p> <p>Replaces: Lilliston #20-50-125, Kelly #03A51-008. Also fits KMC Coulter. Same as Fafnir 205KP6.</p>	
<p>205TNK-I</p> <p>TIMKEN® 205KP8 AG</p>	<p>Fits John Deere® No Till Cultivator Gauge & Coulter Blade Hub Bearing</p> <p>Replaces JD #104448. Fits Huber #N182580 and #N216431. Also fits Landoll cultivator #2-65-001030. Replaces Fafnir® #205KP-8.</p>	
<p>205TTB-I</p> <p>TIMKEN® 205PP9 AG</p>	<p>Coulter Bearing on KMC Peanut Digger, Shaker, Inverter, & KMC Cultivators</p> <p>3/4" bearing fits in hub #03-057-014 or complete assembly hub #04-081-014. Also fits Lilliston coulters #1496 no till grain drill. Replaces bearing #04-051-004, requires two (2) per hub. Replaces BCA® #205TTB. Replaces Fafnir® #205PP-9</p>	

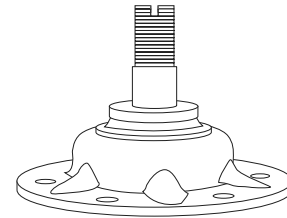
SPECIAL AG BEARINGS

PART #	DESCRIPTION	DIAGRAM
205VVH-I	Grain Drill Bearings Fits Marlist grain drill. Great Plains #188-001V. 5/8" Bore. Replaces #AA205DD.	
206GGH-I	Marker Disc Bearing for Orthman Row Marker fits hub assembly #340-043 14" Orthman barring off disc. Fits #846 New Holland round baler idler sprocket. Replaces #120-001, #120-070 and Fafnir® #206KPP16. Replaces NH #701298 Cole row marker.	
206KPR4-I	Fits John Deere 450, 455, 515, 520, & 750 Grain Drills Standard Duty Marker Disk Replaces: #AA34616. Same as BCA® #206RTQ.	
206RRMN-I	3/4" Bore Cole Planter Bearing Same as #88506 CP and Timken® #H206KRR2	
1012KRRB-3	Lilliston Cultivator With 3/4" Bore Replaces: Lilliston #14-61-102. Replaces: BCA® #204GGB.	
88107	Popular Implement and Automotive Bearing Replaces IHC® #574428R91, BCA® #88107, and Fafnir® #207RR3.	
88107BGG	Replaces John Deere #A30137. Fits Transmission Upper Feedroll Shaft for 8720 & 8730. Also fits 9940 and 9950 cotton picker inner picking unit bevel gear shaft drive housing. Same as Timken® #207KRR-14.	
88128-R	Popular Picker, Implement, and Automotive Bearing Fafnir® #208KRR4 and IHC® #662519R91.	
6006RK	John Deere® Row Cleaner Attachment Replaces: JD #AA38601. Fits Yetter Trash Master Bearing. Replaces: #2570-594.	

PART #	DESCRIPTION	DIAGRAM
--------	-------------	---------

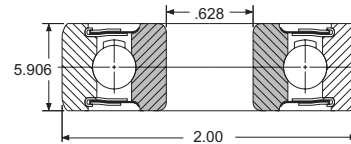
SPECIAL AG BEARINGS

6922RH-I **Row Marker Bearing, Right Hand Threads**

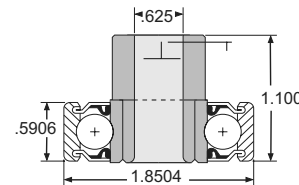


8984YY-I **5/8" Cam Follower Bearing**
 Fits on Amadas combines.
 Replaces: BCA® #8984YY, Fafnir® #203KRR-3.

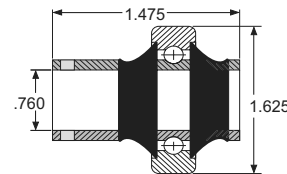
TIMKEN®
203KRR3 AG



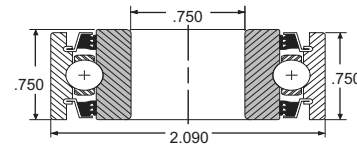
315261-OE **Orthman Cultivator Guidance System**
 Gauge wheel and coulter wheel hub.
 Original OEM type.



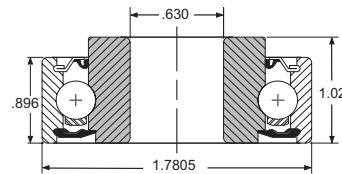
AB16768 **John Deere® Disc Closing Attachment Bearing for 1760, 1780, 7200 and 7300 Planters**
 Also fits JD 51 series planter



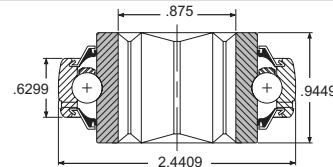
AA205-3/4 **Fits Great Plains Grain Drill Row Unit with Special 3/4" Bore**
 Replaces: #GP188-007V



AA59196 **Double Row Planter Bearing for John Deere® 1700 XP & XP Pro**
 Replaces: JD #AA59196



DS206GG **7/8" Square Bore Bearing for King Disk Hiller**
 Spherical Bore



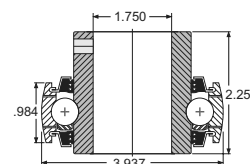
GA8603 **Coulter Wheel Bearing for Kinze 3000 Series Planters**

A	B	C	D
1.975"	2.4409"	1.182"	1.455"

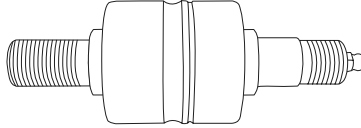

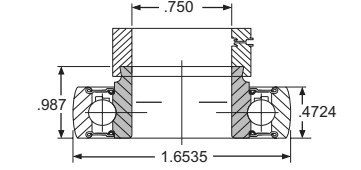
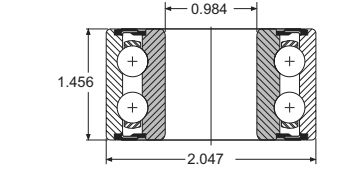

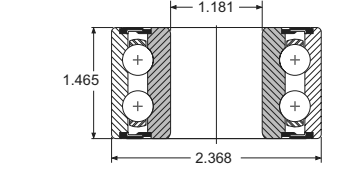
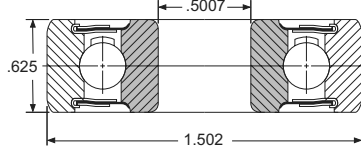
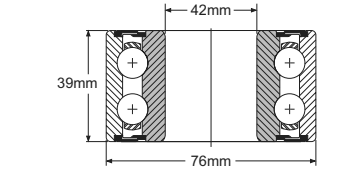
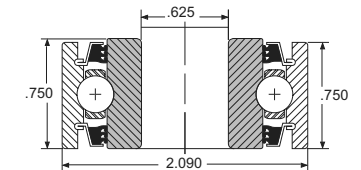


GC1200KPPB-2 **Ferguson Ditcher Bearing**
 1-3/4" hexagon bore. OEM uses same bearing.

TIMKEN®
GC1200KPPB-2 AG



SPECIAL AG BEARINGS

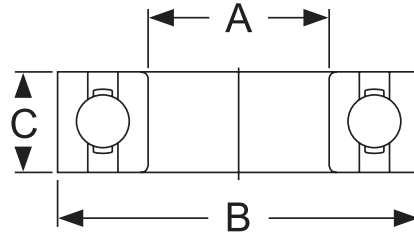
PART #	DESCRIPTION	DIAGRAM
KDD7505TT1	<p>3/4" Stem Bearing for Cub Cadet Blade spindle bearing. 3/4" stem 5.05 overall length. 1.81 barrel O.D. with grease fitting.</p>	
HW13Bx5/8-2RS	<p>5/8" Marathon Layby Gauge Wheel Bearing</p>	
RAL012PPB	<p>Fafnir® #RAL012PPB IHC® #165482C91 Axle Bearing for Press Wheel Shaft on IHC® 296 & 396 Planter Units Also on IHC® 815 and 915 combines</p>	
513001	<p>Honey Bee Header Bearing Fits most models.</p>	
SBX0974	<p>Landoll Pulverizer Bearing 1-3/4" bore. Replaces #1-065-010012 with locking collar.</p>	
AGRI#10695	<p>Single Disk Opener Bearing Fits John Deere® 1560, 1565, 1590, 1690, 1860, 1890, 1895, and 1990 drills. Replaces JD® #AN281313 used on hub #AN281313.</p>	
AFH204000AG	<p>Pick Up Cylinder Bearing for John Deere® Baler Fits models 385, 435, 446, 457, 535, 556, 557, and other models. Replaces John Deere® #AFH204000. Replaces old John Deere® #AG46215.</p>	
AGRI #513058	<p>John Deere Mower Conditioner Drive Pulley Bearing Fits John Deere® mower 525, 535, 710, 720, 730, 735, 820, 910, 920, and 930. Replaces JD® #AE53905.</p>	
205NTT-625	<p>Mechanical Transplanter Bearing 5/8" bore. Replaces Part #100DDD.</p>	

FLAT O.D. RADIAL BALL BEARINGS: IMPORT

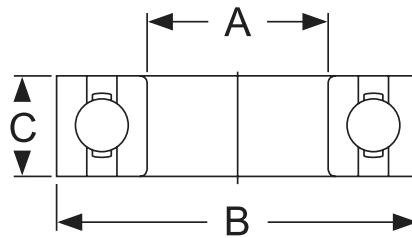
Cylindrical Extra Light Series: 6900 Series

RADIAL BALL
BEARINGS

Rubber sealed.



PART #	A. BORE: MM (IN)	B. OUTSIDE DIAMETER: MM (IN)	C. WIDTH: MM (IN)
6900-2RS	10mm (.3937")	22mm (.8061")	6mm (.2362")
6901-2RS	12mm (.4724")	24mm (.9449")	6mm (.2362")
6902-2RS	15mm (.5906")	28mm (1.1024")	7mm (.2756")
6903-2RS	17mm (.6693")	30mm (1.1811")	7mm (.2756")
6904-2RS	20mm (.7874")	37mm (1.4567")	9mm (.3543")
6905-2RS	25mm (.9843")	42mm (1.6535")	9mm (.3543")
6906-2RS	30mm (1.1811")	47mm (1.8504")	9mm (.3543")
6907-2RS	35mm (1.3780")	55mm (2.1654")	10mm (.3937")
6908-2RS	40mm (1.5748")	62mm (2.4409")	12mm (.4724")
6909-2RS	45mm (1.7717")	68mm (2.6772")	12mm (.4724")
6910-2RS	50mm (1.9685")	72mm (2.8346")	12mm (.4724")

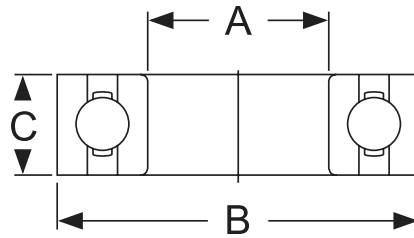
SINGLE ROW RADIAL BALL BEARINGS: IMPORT
**RADIAL BALL
BEARINGS**
Cylindrical Light Series


METAL SHIELD			RUBBER SHIELD				
PART #	REPLACES FAFNIR #	REPLACES BCA® #	PART #	REPLACES FAFNIR #	A. MM (IN)	B. MM (IN)	C. MM (IN)
6000ZZ	9100KDD	100SS	6000-2RS	9100PP	10 (.3937")	26 (1.023")	8 (.315")
6001ZZ	9101KDD	101SS	6001-2RS	9101PP	12 (.4724")	28 (1.102")	8 (.315")
6002ZZ	9102KDD	102SS	6002-2RS	9102PP	15 (.5906")	32 (1.259")	9 (.354")
6003ZZ	9103KDD	103SS	6003-2RS	9103PP	17 (.6693")	36 (1.378")	10 (.393")
6004ZZ	9104KDD	104SS	6004-2RS	9104PP	20 (.7874")	42 (1.653")	12 (.472")
6005ZZ	9105KDD	105SS	6005-2RS	9105PP	25 (.9843)	47 (1.850")	12 (.472")
6006ZZ	9106KDD	106SS	6006-2RS	9106PP	30 (1.181")	55 (2.165")	13 (.511")
6007ZZ	9107KDD	107SS	6007-2RS	9107PP	35 (1.378")	62 (2.440")	14 (.551")
6008ZZ	9108KDD	108SS	6008-2RS	9108PP	40 (1.547")	68 (2.667")	15 (.590")
6009ZZ	9109KDD	109SS	6009-2RS	9109PP	45 (1.771")	75 (2.952")	16 (.629")
6010ZZ	9110KDD	110SS	6010-2RS	9110PP	50 (1.968")	80 (3.149")	16 (.629")
6011ZZ	9111KDD	111SS	6011-2RS	9111PP	55 (2.165")	90 (3.543")	18 (.708")
6012ZZ	9112KDD	112SS	6012-2RS	9112PP	60 (2.362")	95 (3.740")	18 (.708")
6013ZZ	9113KDD	113SS	6013-2RS	9113PP	65 (2.559")	100 (3.937")	18 (.708")
6014ZZ	9114KDD	114SS	6014-2RS	9114PP	70 (2.755")	110 (4.330")	20 (.784")
6015ZZ	9115KDD	115SS	6015-2RS	9115PP	75 (2.952")	115 (4.527")	20 (.784")
6016ZZ	9116KDD	116SS	6016-2RS	9116PP	80 (3.149")	125 (4.921")	22 (.866")
6017ZZ	9117KDD	117SS	6017-2RS	9117PP	85 (3.346")	130 (5.118")	22 (.866")

SINGLE ROW RADIAL BALL BEARINGS: IMPORT

Cylindrical Standard Series

RADIAL BALL BEARINGS

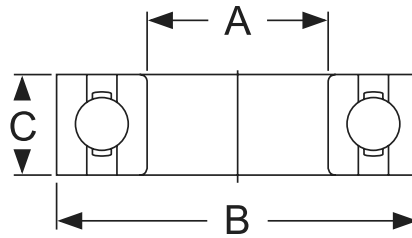


METAL SHIELD		RUBBER SHIELD			
PART #	REPLACES BCA® #	PART #	A. MM (IN)	B. MM (IN)	C. MM (IN)
6200ZZ	200SS	6200-2RS	10mm (.3937")	30mm (1.1811")	9mm (.3543")
6201ZZ	201SS	6201-2RS	12mm (.4724")	32mm (1.2598")	10mm (.3937")
6201½ZZ	---	6201½-2RS	12.7mm (.5000")	32mm (1.2598")	10mm (.3937")
6202ZZ	202SS	6202-2RS	15mm (.5096")	35mm (1.3780")	11mm (.4331")
6202½ZZ	---	6202½-2RS	12.7mm (.5000")	35mm (1.3780")	11mm (.4331")
6202¾ZZ	202SSB	6202¾-2RS	15.875mm (.625")	35mm (1.3780")	11mm (.4331")
6203ZZ	203SS	6203-2RS	17mm (.6693")	40mm (1.5748")	12mm (.4724")
---	---	6203¾-2RS	15.875mm (.625")	40mm (1.5748")	12mm (.4724")
---	---	6203¾-2RS	19.05mm (.750")	40mm (1.5748")	12mm (.4724")
6204ZZ	204SS	6204-2RS	20mm (.7874")	47mm (1.8504")	14mm (.5512")
---	---	6204¾-2RS	19.05mm (.750")	47mm (1.8504")	14mm (.5512")
6205ZZ	205SS	6205-2RS	25mm (.9843")	52mm (2.0472")	15mm (.5906")
---	---	6205-1-2RS	25.4mm (1.000")	52mm (2.0472")	15mm (.5906")
6206ZZ	206SS	6206-2RS	30mm (1.1811")	62mm (2.4409")	16mm (.6299")
6207ZZ	207SS	6207-2RS	35mm (1.3780")	72mm (2.8346")	17mm (.6693")
6208ZZ	208SS	6208-2RS	40mm (1.5748")	80mm (3.1496")	18mm (.7087")
6209ZZ	209SS	6209-2RS	45mm (1.7717")	85mm (3.3465")	19mm (.7480")
6210ZZ	210SS	6210-2RS	50mm (1.9685")	90mm (3.5433")	20mm (.7874")
6211ZZ	211SS	6211-2RS	55mm (2.1654")	100mm (3.9370")	21mm (.8266")
6212ZZ	212SS	6212-2RS	60mm (2.3622")	110mm (4.3307")	22mm (.8661")
6213ZZ	213SS	6213-2RS	65mm (2.5591")	120mm (4.7244")	23mm (.9055")
6214ZZ	214SS	6214-2RS	70mm (2.7559")	125mm (4.9213")	24mm (.9449")
6215ZZ	215SS	6215-2RS	75mm (2.9258")	130mm (5.1181")	25mm (.9843")
6216ZZ	---	6216-2RS	80mm (3.1496")	140mm (5.5118")	26mm (1.0236")
6217ZZ	---	6217-2RS	85mm (3.3465")	150mm (5.9055")	28mm (1.1024")

RADIAL BALL BEARINGS: IMPORT & USA

Cylindrical Medium Series

RADIAL BALL BEARINGS

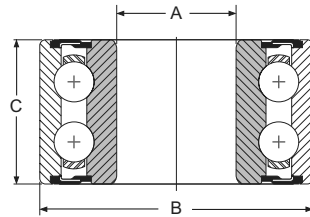


METAL SHIELD		RUBBER SHIELD		
PART #	PART #	A. MM (IN)	B. MM (IN)	C. MM (IN)
6300ZZ	6300-2RS	10mm (.3937")	35mm (1.378")	11mm (.4331")
6301ZZ	6301-2RS	12mm (.4724")	37mm (1.456")	12mm (.4724")
6302ZZ	6302-2RS	15mm (.590")	42mm (1.653")	13mm (.5118")
6303ZZ	6303-2RS	17mm (.669")	47mm (1.850")	14mm (.5512")
6304ZZ	6304-2RS	20mm (.787")	52mm (2.047")	15mm (.590")
6305ZZ	6305-2RS	25mm (.984")	62mm (2.440")	17mm (.669")
6306ZZ	6306-2RS	30mm (1.181")	72mm (2.834")	19mm (.748")
6307ZZ	6307-2RS	35mm (1.378")	80mm (3.149")	21mm (.826")
6308ZZ	6308-2RS	40mm (1.574")	90mm (3.543")	23mm (.905")
6309ZZ	6309-2RS	45mm (1.771")	100mm (3.937")	25mm (.984")
6310ZZ	6310-2RS	50mm (1.968")	110mm (4.330")	27mm (1.063")
6311ZZ	6311-2RS	55mm (2.1654")	120mm (4.724")	29mm (1.1417")
6312ZZ	6312-2RS	60mm (2.362")	130mm (5.118")	31mm (1.220")
6313ZZ	6313-2RS	65mm (2.559")	140mm (5.511")	33mm (1.299")
6314ZZ	6314-2RS	70mm (2.755")	150mm (5.905")	35mm (1.378")
6315ZZ	6315-2RS	75mm (2.9526")	160mm (6.2992")	37mm (1.4567")

DOUBLE ROW BALL BEARINGS: IMPORT

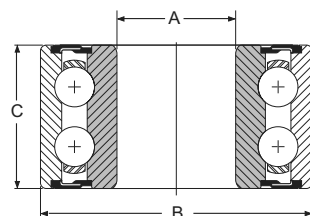
Standard Series

RADIAL BALL BEARINGS



METAL SHIELD		RUBBER SHIELD		
PART #	PART #	A. BORE: MM (IN)	B. O.D.: MM (IN)	C. WIDTH: MM (IN)
5201ZZ	5201-2RS	12mm (.472")	32mm (1.259")	15.9mm (.625")
5202ZZ	5202-2RS	15mm (.590")	35mm (1.378")	15.9mm (.625")
5203ZZ	5203-2RS	17mm (.669")	40mm (1.574")	17.5mm (.688")
5204ZZ	5204-2RS	20mm (.784")	47mm (1.850")	20.6mm (.812")
5205ZZ	5205-2RS	25mm (.984")	52mm (2.047")	20.6mm (.812")
5206ZZ	5206-2RS	30mm (1.181")	62mm (2.440")	23.8mm (.938")
5207ZZ	5207-2RS	35mm (1.378")	72mm (2.834")	27.0mm (1.062")
5208ZZ	5208-2RS	40mm (1.574")	80mm (3.149")	30.2mm (1.188")
5209ZZ	5209-2RS	45mm (1.771")	85mm (3.346")	30.2mm (1.188")
5210ZZ	5210-2RS	50mm (1.968")	90mm (3.543")	30.2mm (1.188")

Medium Series

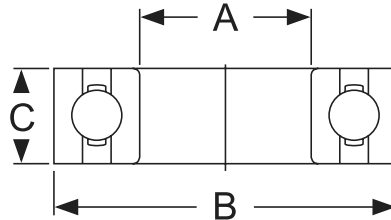


METAL SHIELD		RUBBER SHIELD		
PART #	PART #	A. BORE: MM (IN)	B. O.D.: MM (IN)	C. WIDTH: MM (IN)
5302ZZ	5302-2RS	15mm (.590")	42mm (1.653")	19.05mm (.750")
5303ZZ	5303-2RS	17mm (.669")	47mm (1.850")	22.22mm (.875")
5304ZZ	5304-2RS	20mm (.784")	52mm (2.047")	22.22mm (.875")
5305ZZ	5305-2RS	25mm (.984")	62mm (2.440")	25.40mm (1.000")
5306ZZ	5306-2RS	30mm (1.181")	72mm (2.834")	30.17mm (1.188")
5307ZZ	5307-2RS	35mm (1.378")	80mm (3.149")	35.00mm (1.375")
5308ZZ	5308-2RS	40mm (1.574")	90mm (3.543")	36.53mm (1.438")
5309ZZ	5309-2RS	45mm (1.771")	100mm (3.937")	39.67mm (1.562")
5310ZZ	5310-2RS	50mm (1.968")	110mm (4.330")	44.45mm (1.750")
5311ZZ	5311-2RS	55mm (2.166")	120mm (4.724")	49.22mm (1.938")
5312ZZ	5312-2RS	60mm (2.362")	130mm (5.118")	53.98mm (2.135")

BALL BEARINGS: INCH DIMENSION

RADIAL BALL BEARINGS

- Single row, precision ground radial ball bearings
- Recommended for medium loads
- Recommended maximum speed of 5000 RPM
- Fits many farm applications

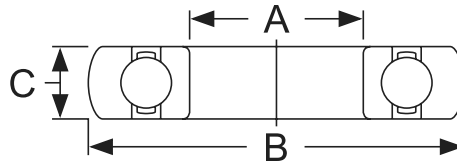


SHIELDED		SEALED		
PART #	PART #	A. BORE (IN)	B. OUTSIDE DIAMETER (IN)	C. WIDTH (IN)
1601-ZZ	1601-2RS	3/16"	11/16"	1/4"
1602-ZZ	1602-2RS	1/4"	11/16"	1/4"
1603-ZZ	1603-2RS	5/16"	7/8"	.2813"
1604-ZZ	1604-2RS	3/8"	7/8"	.342"
1605-ZZ	1605-2RS	5/16"	29/32"	5/16"
1606-ZZ	1606-2RS	3/8"	29/32"	5/16"
1607-ZZ	1607-2RS	7/16"	29/32"	5/16"
1614-ZZ	1614-2RS	3/8"	1-1/8"	3/8"
1615-ZZ	1615-2RS	7/16"	1-1/8"	3/8"
1616-ZZ	1616-2RS	1/2"	1-1/8"	3/8"
1620-ZZ	1620-2RS	7/16"	1-3/8"	7/16"
1621-ZZ	1621-2RS	1/2"	1-3/8"	7/16"
1622-ZZ	1622-2RS	9/16"	1-3/8"	7/16"
1623-ZZ	1623-2RS	5/8"	1-3/8"	7/16"
1628-ZZ	1628-2RS	5/8"	1-5/8"	1/2"
1630-ZZ	1630-2RS	3/4"	1-5/8"	1/2"
1633-ZZ	1633-2RS	5/8"	1-3/4"	1/2"
1635-ZZ	1635-2RS	3/4"	1-3/4"	1/2"
1638-ZZ	1638-2RS	3/4"	2"	9/16"
1640-ZZ	1640-2RS	7/8"	2"	9/16"
1641-ZZ	1641-2RS	1"	2"	9/16"
1652-ZZ	1652-2RS	1-1/8"	2-1/2"	5/8"
1654-ZZ	1654-2RS	1-1/4"	2-1/2"	5/8"
1657-ZZ	1657-2RS	1-1/4"	2-9/16"	11/16"
1658-ZZ	1658-2RS	1-5/8"	2-9/16"	11/16"

RADIAL BALL BEARINGS: POPULAR COMBINE APPLICATIONS

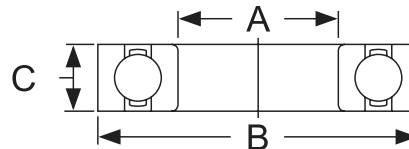
Beveled Outside Diameter

RADIAL BALL BEARINGS



PART #	REPLACES BCA® #	REPLACES FAFNIR #	A. BORE IN (MM)	B. O.D. IN (MM)	C. WIDTH IN (MM)
CS203DDU	BCA S203FF	203PPB	0.6693" (17mm)	1.5748" (40mm)	0.4724" (12mm)
CS204DDU	BCA S204FF	204PPB	0.7874" (20mm)	1.8504" (47mm)	0.5512" (14mm)
CS205DDU	BCA S205FF	205PPB	0.9843" (25mm)	2.0472" (52mm)	0.5906" (15mm)
CS206DDU	BCA S206FF	206PPB	1.1811" (30mm)	2.4409" (62mm)	0.6299" (16mm)
CS207DDU	BCA S207FF	207PPB	1.3780" (35mm)	2.8346" (72mm)	0.6693" (17mm)
CS208DDU	BCA S208FF	208PPB	1.5748" (40mm)	3.1496" (80mm)	0.7087" (18mm)
CS209DDU	BCA S209FF	209PPB	1.7717" (45mm)	3.3465" (85mm)	0.7480" (19mm)
CS210DDU	BCA S210FF	210PPB	1.9685" (50mm)	3.5433" (90mm)	0.7874" (20mm)
CS213DDU	BCA S213FF	213PPB	2.5591" (65mm)	4.7244" (120mm)	0.9055" (23mm)
CS305DDU	BCA S305FF	305PPB	0.9843" (25mm)	2.4409" (62mm)	0.6693" (17mm)
CS306DDU	BCA S306FF	306PPB	1.1811" (30mm)	2.8346" (72mm)	0.7480" (19mm)
CS307DDU	BCA S307FF	307PPB	1.3780" (35mm)	3.1496" (80mm)	0.8268" (21mm)
CS308DDU	BCA S308FF	308PPB	1.5748" (40mm)	3.5433" (90mm)	0.9055" (23mm)
CS309DDU	BCA S309FF	309PPB	1.7717" (45mm)	3.9370" (100mm)	0.9843" (25mm)
CS310DDU	BCA S310FF	310PPB	1.9685" (50mm)	4.3307" (110mm)	1.0630" (27mm)

Rubber Shielded: Inch Dimension



PART #	REPLACES BCA® #	REPLACES FAFNIR #	A. BORE IN	B. O.D. IN	C. WIDTH IN
R4-2RS	BCA R4CC	S1PP7	1/4"	5/8"	0.196"
R6-2RS	BCA R6CC	S3PP	3/8"	7/8"	9/32"
R8-2RS	BCA R8CC	S5PP	1/2"	1-1/8"	5/16"
R10-2RS	BCA R10CC	S7PP	5/8"	1-3/8"	11/32"
R12-2RS	BCA R12CC	S8PP	3/4"	1-5/8"	7/16"
R14-2RS	--	--	7/8"	1-7/8"	1/2"
R16-2RS	--	--	1"	2"	1/2"
R20-2RS	--	--	1-1/4"	2-1/4"	1/2"

TIMKEN® RADIAL BALL BEARINGS: MADE IN USA



TIMKEN

RADIAL BALL BEARINGS

Standard Series

Rubber sealed.

PART #	A. BORE: MM (IN)	B. OUTSIDE DIAMETER: MM (IN)	C. WIDTH: MM (IN)
200PP	10mm	30mm	9mm
201PP	12mm	32mm	10mm
202PP	15mm	35mm	11mm
203PP	17mm	40mm	12mm
204PP	20mm	47mm	14mm
205PP	25mm	52mm	15mm
206PP	30mm	62mm	16mm
207PP	35mm	72mm	17mm
208PP	40mm	80mm	18mm
209PP	45mm	85mm	19mm
210PP	50mm	90mm	20mm
211PP	55mm	100mm	21mm
212PP	60mm	110mm	22mm

Medium Series

TIMKEN

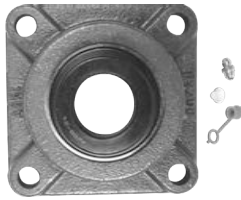
Rubber sealed.

PART #	A. BORE: MM (IN)	B. OUTSIDE DIAMETER: MM (IN)	C. WIDTH: MM (IN)
300PP	10mm	35mm	11mm
301PP	12mm	37mm	12mm
302PP	15mm	42mm	14mm
303PP	17mm	47mm	15mm
304PP	20mm	52mm	17mm
305PP	25mm	62mm	18mm
306PP	30mm	72mm	21mm
307PP	35mm	80mm	22mm
308PP	40mm	90mm	23mm
309PP	45mm	100mm	25mm
310PP	50mm	110mm	27mm

SPECIAL AGRICULTURAL MOUNTED UNITS & BEARING INSERTS: FOR CULTIVATORS, DO-ALLS, BEDDER ROLLER, & RICE ROLLERS



PART #	DESCRIPTION
RAK 1-15/16"	1-15/16" Bore Do-All Pillow Block Will fit Forrest City #2048 and #3347, W&A, plus many other models. Replaces BCA® PWG 1-15/16".
USA RAK 1-15/16"-USA	



RCJ 1-15/16"	1-15/16" Bore 4-Bolt Mounting Flange Replaces Forrest City #3816. Replaces BCA® FWG 1-15/16".
USA RCJ 1-15/16"-USA	

UCP 1-15/16" H	1-15/16" Bore Do-All Bearing Fits most Holley models. Special bolt hole. Agri brand.
----------------	--

SPECIAL MOUNTED
UNIT AG BEARINGS

Do-Alls: Bearings Only

PART #	DESCRIPTION
G1115KRRB	1-15/16" replacement insert bearing for above. Eccentric locking collar. Import.
G1115KRRB-3	1-15/16" triple-lip seal bearing. Eccentric locking collar. Import.
G1115KRRB AG	1-15/16" bearing. Eccentric locking collar. Timken®.
G1115KPPB3 AG	1-15/16" triple-lip seal bearing. Eccentric locking collar. Timken®.
UC-115	1-15/16" set screw locking for Holley Do-All.

Do-All Leaf Board Spring Assembly



PART #	DESCRIPTION
F2029	Do All leaf board spring assembly. Fits John Deere® and Forest City finishing harrows. Replaces #G2500051.

Cultivators

PART #	DESCRIPTION
7355	Complete flange unit 2-bolt for McKee or any other cultivator. 1-1/4" Bore with Mounting centers of 5-1/8". Large type housing.
GRA104RRB	1-1/4" insert bearing for above only with eccentric locking collar. Regreaseable and with hole on the same side as the collar.
7361	Complete flange unit 2-bolt for Triple K, Forrest City #4356. Also fits Glencoe or any other cultivator mounting center of 4-9/32". Small type housing.
GRA103RRB-2	1-1/4" insert bearing for above only with eccentric locking collar, regreaseable and with hole on the same side as the collar.
RCJT 15/16"	For Ber-Vac cultivator 600/615. Complete 2-bolt flange unit with eccentric locking collar.
G1015KRRB	15/16" insert bearing for above only with eccentric locking collar.
UCFT 15/16"	Same as above flange with set screw Locking.
UC-015	Bearing for above only with set screw Locking.

**SPECIAL AGRICULTURAL MOUNTED UNITS & BEARING INSERTS:
FOR CULTIVATORS, DO-ALLS, BEDDER ROLLER, & RICE ROLLERS**

SPECIAL MOUNTED
UNIT AG BEARINGS



PART #	DESCRIPTION
FYR 2"	Spherical Roller Flange. Rotor Drum Bearing Fits Rhino #RC-18 and #RC-20 shredder. SKF brand.



FYR P 2-3/16"	Spherical Roller Flange Outer Bearing fits Baltzer flail shredder. Replaces Baltzer #61138. SKF brand.
---------------	---



FYR 2-3/16"	Spherical Roller Bearing Fits BHC 2000 Shredder. Replaces part #65861. SKF brand.
-------------	--

Ditcher Bearings

PART #	DESCRIPTION
1203KPPB4 AG	2-3/16" Prelubricated with triple lip seals. Fits Amco #N11381, Farmhand, Levco #HDA15 and Glencoe. Timken®.
1203KPPB-3	Same as above. Import.
GC1200KPPB2 AG	Ferguson ditcher bearing 1-3/4" hex bore. Timken®.
GC1200KPPB2	Same as above. Import.

HEAVY DUTY ROLLER BEARINGS



SPECIAL MOUNTED
UNIT AG BEARINGS

PART #	DESCRIPTION
UCF 2-1/4"	2-1/4" Bore, 4-bolt flange for Brandt roller. Replaces #266213.
UC-204	Replacement for above 4-bolt flange.
UCFT 1-1/2"	1-1/2", 2-Bolt flange for Brandt Roller. Replaces #266217.
2-1/2" Type E Flange	2-1/2" bore, Type E, 4-bolt, heavy duty flange. Fits Brandt, Fair Oaks, and Proctor Rollers.
3" Type E Flange	3" bore, Type E, 4-bolt, heavy duty flange. Fits Brandt, Fair Oaks, and Proctor rollers.
2-3/16" Type E Pillow Block	2-3/16" bore, Type E pillow block. Fits Brandt, Fair Oaks, and Proctor rollers.
2-1/4" Type E Pillow Block	2-1/4" bore, Type E pillow block. Fits Brandt, Fair Oaks, and Proctor rollers.
2-1/2" Type E Pillow Block	2-1/2" bore, Type E pillow block. Fits Brandt, Fair Oaks, and Proctor rollers.
2-15/16" Type E Pillow Block	2-15/16" bore, Type E pillow block. Fits Brandt, Fair Oaks, and Proctor rollers.

SPECIALTY MOUNTED UNITS: TYPE E PILLOW BLOCKS: MADE IN USA

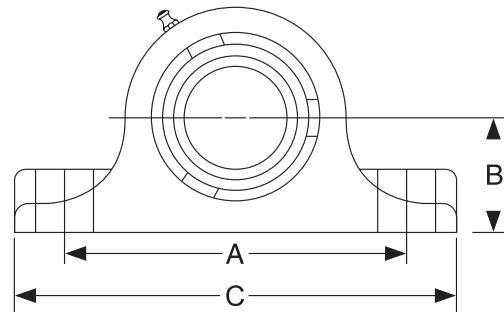


Non-expansion.

**SPECIAL MOUNTED
UNIT AG BEARINGS**

Type E Flange: Stamped Steel Pillow Block Housings

All units are supplied with Timken® tapered roller bearings, dual locking collars, and dual lip medium contact seal — very popular on rice rollers.

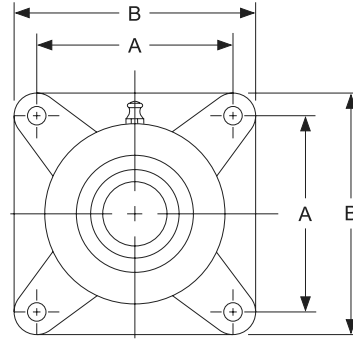


PART # & BORE SIZE	A. BOLT HOLE CENTER		B. CENTER HEIGHT	C. OVERALL LENGTH
	MINIMUM	MAXIMUM		
Type E 1-3/16" PB	4-3/4"	4-13/16"	1-1/2"	6"
Type E 1-1/4" PB	4-3/4"	4-13/16"	1-1/2"	6"
Type E 1-3/8" PB	5-3/8"	5-7/8"	1-7/8"	7-3/8"
Type E 1-7/16" PB	5-3/8"	5-7/8"	1-7/8"	7-3/8"
Type E 1-1/2" PB	6-1/8"	6-3/8"	2-1/8"	7-7/8"
Type E 1-5/8" PB	6-1/8"	6-3/8"	2-1/8"	7-7/8"
Type E 1-3/4" PB	6-7/8"	7-1/8"	2-1/4"	8-7/8"
Type E 1-11/16" PB	6-1/8"	6-3/8"	2-1/8"	7-7/8"
Type E 1-15/16" PB	6-7/8"	7-1/8"	2-1/4"	8-7/8"
Type E 2" PB	6-7/8"	7-1/8"	2-1/4"	8-7/8"
Type E 2-3/16" PB	7-5/8"	7-7/8"	2-1/2"	9-5/8"
Type E 2-7/16" PB	8-3/8"	8-5/8"	2-3/4"	10-1/2"
Type E 2-1/2" PB	8-3/8"	8-5/8"	2-3/4"	10-1/2"
Type E 2-11/16" PB	9-5/16"	9-11/16"	3-1/8"	12"
Type E 2-15/16" PB	9-5/16"	9-11/16"	3-1/8"	12"
Type E 3" PB	9-5/16"	9-11/16"	3-1/8"	12"
Type E 3-7/16" PB	10-13/16"	11-13/16"	3-3/4"	14"
Type E 3-1/2" PB	10-13/16"	11-13/16"	3-3/4"	14"



SPECIALTY MOUNTED UNITS: MADE IN USA

Type E Flange: 4-Bolt



**SPECIAL MOUNTED
UNIT AG BEARINGS**

PART # & BORE SIZE	A. BOLT HOLE CENTER	B. OVERALL WIDTH	OVERALL HEIGHT
Type E 1-3/16" FB	2-7/8"	3-3/4"	2-13/16"
Type E 1-1/4" FB	2-7/8"	3-3/4"	2-13/16"
Type E 1-3/8" FB	3-1/2"	4-5/8"	3-1/6"
Type E 1-7/16" FB	3-1/2"	4-5/8"	3-1/6"
Type E 1-1/2" FB	4-1/8"	5-3/8"	3-1/2"
Type E 1-5/8" FB	4-1/8"	5-3/8"	3-1/2"
Type E 1-11/16" FB	4-1/8"	5-3/8"	3-1/2"
Type E 1-3/4" FB	4-3/8"	5-5/8"	3-5/8"
Type E 1-15/16" FB	4-3/8"	5-5/8"	3-5/8"
Type E 2" FB	4-3/8"	5-5/8"	3-5/8"
Type E 2-3/16" FB	4-7/8"	6-1/4"	3-7/8"
Type E 2-1/4" FB	5-3/8"	6-7/8"	4-3/16"
Type E 2-7/16" FB	5-3/8"	6-7/8"	4-3/16"
Type E 2-1/2" FB	5-3/8"	6-7/8"	4-3/16"
Type E 2-15/16" FB	6"	7-3/4"	4-11/16"
Type E 3" FB	6"	7-3/4"	4-11/16"
Type E 3-7/16" FB	7"	9-1/4"	5-1/4"
Type E 3-1/2" FB	7"	9-1/4"	5-1/4"
Type E 3-15/16" FB	7-3/4"	10-1/4"	6-1/2"

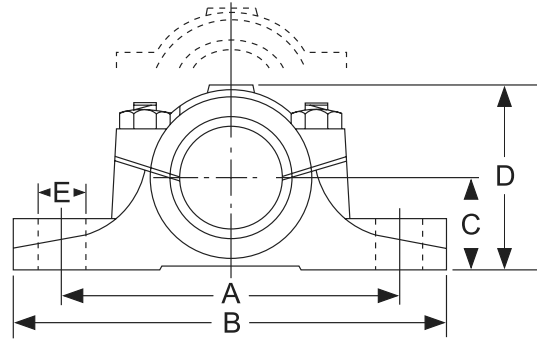
SPLIT JOURNAL BEARINGS: MADE IN USA



Babbit and bronze.

**SPECIAL MOUNTED
UNIT AG BEARINGS**

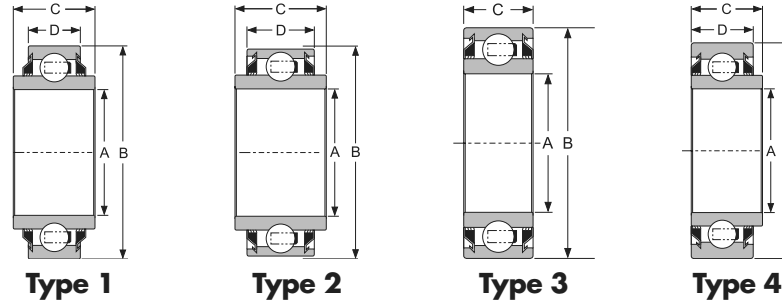
Split bearings are recommended for application where it is necessary to remove a cap for servicing or replacing a bearing. This style eliminates removing pulleys and couplings from the shaft when replacement is required. Loading range is limited to 30° below the joint. The angular parting of the cap is provided with shims to compensate for wear and adjustments.



PART # & SHAFT SIZE	A	B	C	D	E	PIPE TAP
7/8" Split Babbit	3-5/8"	4-3/4"	1"	2-1/16"	9/16"	1/8"
1" Split Babbit	3-5/8"	4-3/4"	1"	2-1/16"	9/16"	1/8"
1-1/8" Split Babbit	4-1/8"	5-1/4"	1-1/4"	2-7/16"	5/8"	1/8"
1-3/16" Split Babbit	4-1/8"	5-1/4"	1-1/4"	2-7/16"	5/8"	1/8"
1-1/4" Split Babbit	4-1/8"	5-1/4"	1-1/4"	2-7/16"	5/8"	1/8"
1-3/8" Split Babbit	4-7/8"	6-1/4"	1-3/8"	2-11/16"	11/16"	1/8"
1-7/16" Split Babbit	4-7/8"	6-1/4"	1-3/8"	2-11/16"	11/16"	1/8"
1-1/2" Split Babbit	4-7/8"	6-1/4"	1-3/8"	2-11/16"	11/16"	1/8"
1-3/4" Split Babbit	5-1/4"	6-3/4"	1-1/2"	3"	3/4"	1/4"
1-15/16" Split Babbit	6"	7-1/2"	1-3/4"	3-7/16"	13/16"	1/4"
2" Split Babbit	6"	7-1/2"	1-3/4"	3-7/16"	13/16"	1/4"
2-3/16" Split Babbit	6-1/2"	8-1/2"	1-7/8"	3-3/4"	1"	1/4"
2-7/16" Split Babbit	7"	8-7/8"	2-1/8"	4-3/16"	1"	1/4"

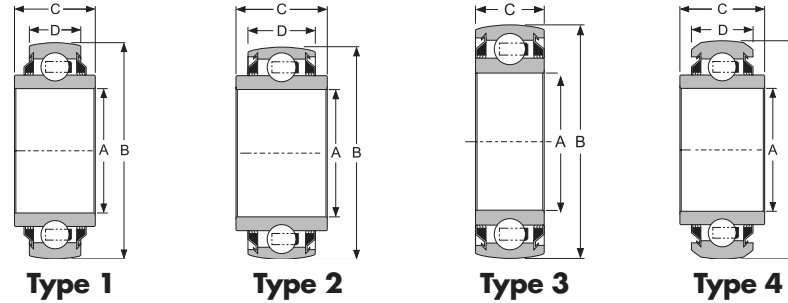
**IMPORT HEAVY DUTY DISC HARROW BEARINGS:
MADE WITH TRIPLE LIP SEALS**

Square (S) or Round (R) Bore: Cylindrical Outside Diameter



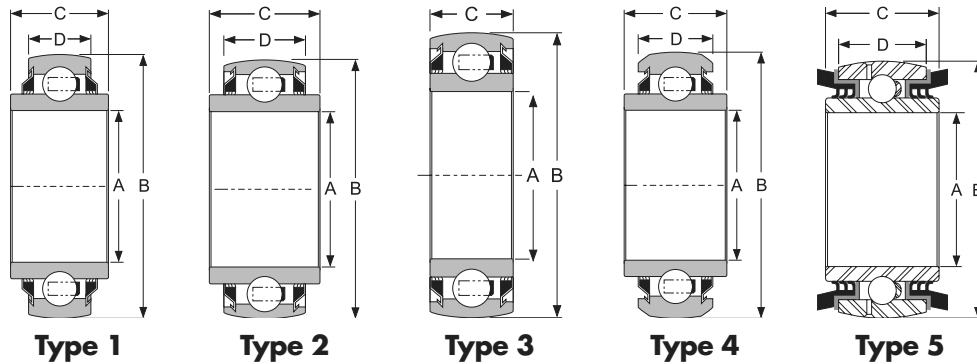
**HEAVY DUTY DISC
HARROW BEARINGS**

PART #	REPLACES BCA-NTN®	TYPE	A. BORE	B. O. D. SIZE	C. INNER RING WIDTH	D. OUTER RING WIDTH	LUBRICATION TYPE
W208PP-5	DC208TT-5	1	1/18" S	3.1496"/80mm	1.4375"	0.7087"	Non-relube
W208PP-6	DC208TT-6	1	1" S	3.1496"/80mm	1.4375"	0.7087"	Non-relube
W208PP-8	DC208TT-8	2	1-1/8" S	3.1496"/80mm	1.4375"	1.1875"	Non-relube
W208PP-10	DC208TT-10	1	1-1/2" R	3.1496" Flat/80mm	1.6880"	0.827"	Non-relube
W208PP-17	DC208TT-17	2	1-1/8" S	3.3758" Flat	1.4375"	1.1875"	Non-relube
W210PP	DC210TT	2	1-15/16" R	3.5433"/90mm	1.9375"	1.3350"	Non-relube
W210PP-2	DC210TT-2	3	1-15/16" R	3.5433"/90mm	1.1875"	1.1875"	Non-relube
W210PP-4	DC210TT-4	3	1-1/8" S	3.5433"/90mm	1.1875"	1.1875"	Non-relube
W211PP-2	DC211TT-2	3	2-3/16"	3.9370"/100mm	1.3125"	1.3125"	Non-relube
W211PP-3	DC211TT-3	3	1-1/2" S	3.9370"/100mm	1.3125"	1.3125"	Non-relube
W211PP-5	DC211TT-2	2	1-1/2" S	4.000"	1.7500"	1.4380"	Non-relube
GW208PP-17	DC208TTR-17	2	1-1/8" S	3.3758"	1.4375"	1.1875"	Relube
GW209PP-8	DC209TTR-8	2	1-1/4" S	3.3465"/85mm	1.4375"	0.8661"	Relube
GW210PP-3	DC210TTR-3	3	1.406" R	3.5433"/90mm	1.1875"	1.1875"	Relube
GW210PP-4	DC210TTR-4	3	1-1/8" S	3.5433"/90mm	1.1875"	1.1875"	Relube
GW211PP-2	DC211TTR-2	3	2-3/16" R	3.9370"/100mm	1.3125"	1.3125"	Relube
GW211PP-3	DC211TTR-3	3	1-1/2" S	3.9370"/100mm	1.3125"	1.3125"	Relube
GW211PP-17	DC211TTR-4	2	1-1/2" S	3.9370"/100mm	1.7500"	1.3125"	Relube
GW211PP-25	DC211TTR-21	2	1-3/4" R	3.9370"/100mm	1.7500"	1.3125"	Relube
GW211PP-27	DC211TTR-27	4	1-1/2" S	3.9370"/100mm	1.531"	1.3125"	Relube
GW212PP-1	DC212TTRA (Replaces NTN #SBX1226)	2	1-3/4" R	4.3310"/110mm	1.695"	1.5070"	Relube
GW214PP-2	DC214TTR-2	3	2-3/4" R	4.9213"/125mm	1.5625"	1.5625"	Relube
GW214PP-3	DC214TTR-3	2	2.6875" R	4.9213"/125mm	2.6875"	1.5625"	Relube
DC208TT-1	DC208TT (Replaces Fafnir #W208K3)	2	1-1/8" S	3.1496"	1.6875"	1.2790"	Non-relube
DC212TTRBN-1	DC212TTRBN (Replaces NTN #SBX1227)	2	2.187" R	4.3307"	2.1870"	1.5040"	Relube

**IMPORT HEAVY DUTY DISC HARROW BEARINGS:
MADE WITH TRIPLE LIP SEALS**
Square Bore: Spherical Outside Diameter
**HEAVY DUTY DISC
HARROW BEARINGS**


PART #	REPLACES BCA-NTN®	TYPE	A. BORE	B. O.D. SIZE	C. INNER RING WIDTH	D. OUTER RING WIDTH	LUBRICATION TYPE
W208PPB-5	DS208TT-5	2	1-1/8"	3.1496"/80mm	1.4375"	0.7087"	Non-relube
GW208PPB-5	DS208TTR-5	2	1-1/8"	3.1496"/80mm	1.4375"	0.9449"	Relube
W208PPB-6	DS208TT-6	1	1"	3.1496"/80mm	1.4375"	0.7087"	Non-relube
GW208PPB-6	DS208TTR-6	2	1"	3.1496"/80mm	1.4375"	0.9449"	Relube
W208PPB-8	DS208PPB-8	2	1-1/8"	3.1496"/80mm	1.4375"	1.1875"	Non-relube
GW208PPB-8	DS208TTR-8	2	1-1/8"	3.1496"/80mm	1.4375"	1.1875"	Relube
W208PPB-11	DS208TT-11	4	7/8"	3.4252"/87mm	1.4375"	1.1875"	Non-relube
W208PPB-12	DS208TT-12	4	1-1/8"	3.4252"/87mm	1.4375"	1.1875"	Non-relube
W208PPB-13	DS208TT-13	1	7/8"	3.1496"/80mm	1.4375"	0.7087"	Non-relube
W209PPB-5	DS209TT-5	2	1-1/4"	3.3465"/85mm	1.4375"	1.1875"	Non-relube
GW209PPB-5	DS209TTR-5	2	1-1/4"	3.3465"/85mm	1.4375"	1.1875"	Relube
W209PPB-7	DS209TT-7	4	1-1/4"	3.4252"/87mm	1.4375"	1.1875"	Non-relube
GW209PPB-8	DS209TTR-8	1	1-1/4"	3.3465"/85mm	1.4375"	0.8661"	Relube
W210PPB-4	DS210TT-4	3	1-1/8"	3.5433"/90mm	1.1875"	1.1875"	Non-relube
GW210PPB-4	DS210TTR-4	3	1-1/8"	3.5433"/90mm	1.1875"	1.1875"	Relube
W211PPB-3	DS211TT-3	3	1-1/2"	3.937"/100mm	1.3125"	1.3125"	Non-relube
GW211PPB-3	DS211TTR-3	3	1-1/2"	3.937"/100mm	1.3125"	1.3125"	Relube
W211PPB-6	DS211TT-6	4	1-1/2"	4.1300"	1.7500"	1.4375"	Non-relube
GW211PPB-23	DS211TTR-23	2	1.565"	3.9800"	2.1250"	1.3350"	Relube

IMPORT DISC HARROW BEARINGS
Round Bore: Spherical Outside Diameter

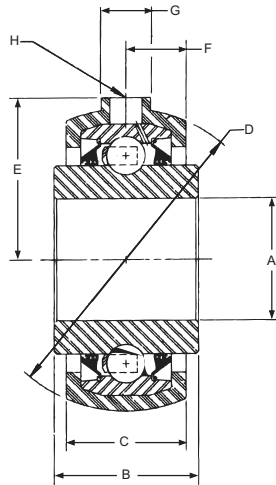


**HEAVY DUTY DISC
HARROW BEARINGS**

PART #	REPLACES BCA-NTN®	TYPE	A. BORE	B. O.D. SIZE	C. INNER RING WIDTH	D. OUTER RING WIDTH	LUBRICATION TYPE
W208PPB-2	DS208TT-2	1	1-1/2"	3.1496"/80mm	1.6875"	0.7087"	Non-relube
W208PPB-7	DS208TT-7	1	1-3/16"	3.1496"/80mm	1.1875"	0.7087"	Non-relube
W209PPB-2	DS209TT-2	3	1-3/4"	3.3465"/85mm	1.1875"	1.1875"	Non-relube
GW209PPB-2	DS209TTR-2	3	1-3/4"	3.3465"/85mm	1.1875"	1.1875"	Relube
W209PPB-4	DS209TT-4	3	1-1/2"	3.3465"/85mm	1.1875"	1.1875"	Non-relube
GW209PPB-4	DS209TTR-4	3	1-1/2"	3.3465"/85mm	1.1875"	1.1875"	Relube
GW209PPB-11	DS209TTR-10	1	1-3/4"	3.3465"/85mm	1.4375"	0.8661"	Relube
W210PPB-2	DS210TT-2	3	1-15/16"	3.5433"/90mm	1.1875"	1.1875"	Non-relube
GW210PPB-2	DS210TTR-2	3	1-15/16"	3.5433"/90mm	1.1875"	1.1875"	Relube
W210PPB-5	DS210TT-5	3	1-3/4"	3.5433"/90mm	1.1875"	1.1875"	Non-relube
GW210PPB-5	DS210TTR-5	3	1-3/4"	3.5433"/90mm	1.1875"	1.1875"	Relube
W211PPB-2	DS211TT-2	3	2-3/16"	3.9370"/100mm	1.3125"	1.3125"	Non-relube
GW211PPB-2	DS211TTR-2	3	2-3/16"	3.9370"/100mm	1.3125"	1.3125"	Relube
W211PPB-4	DS211TT-4	4	2.1874"	3.9370"/100mm	2.1870"	1.3120"	Non-relube
GW211PPB-9	DS211TTR-9	1	2.1880"	3.9370"/100mm	1.5625"	0.9843"	Relube
GW211PPB-13	DS211TTR-13	1	1-3/4"	3.9370"/100mm	1.3125"	0.9843"	Relube
GW214PPB-6		2	2.6881"	4.9213"	2.6875"	1.1024"	Relube
AA28184	DS209TTR-13	5	1-3/4"	3.3465"/85mm	1.606"	1.1875"	Relube
AA28186	DS211TTR-20	5	2-3/16"	3.9370"/100mm	1.811"	1.314"	Relube

NEW RUBBER MOUNTED DISK HARROW BEARINGS: IMPORT

HEAVY DUTY DISC HARROW BEARINGS



These CDS Series bearing assemblies consist of heavy duty import bearing with a separable rubber housing. These bearings are RE-GREASEABLE and fit many Krause applications.

PART #	REPLACES BCA-NTN®	REPLACES KRAUSE	A. BORE	B. OUTSIDE DIAMETER
GW209PPB-22	CDS209TTR6P	1927-11-0	1-1/2" Round	4.00"

Fits 1576-1592, 1900-1928, 1952-1979, 2100-2166, 2190-2196, 2200-2244, 3948-3957, 3990-3994, 4900-4945, 4900A-4938A, and 4950-4994

Agri 40-167AG		40-167	1-3/4" Round	4.00"
---------------	--	--------	--------------	-------

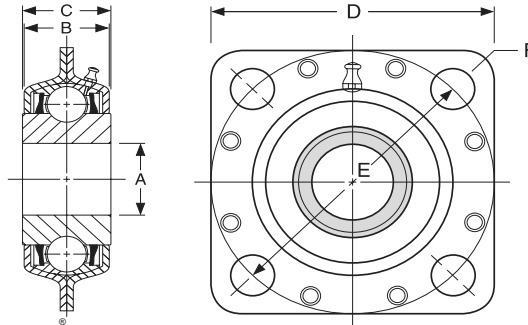
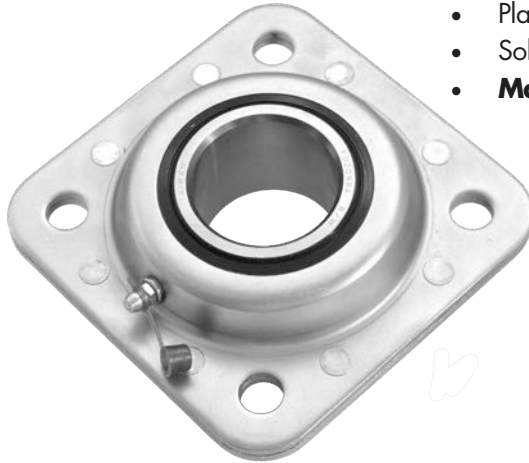
Fits Krause series 2232NR-2236NR, 2232WR-2234WR, 7300, 7400, 8100, 8200.
Fits Krause Dominator front disc gang.

GW211PPB21	CDS211TTR-23	2410-11-0	1-3/4" Round	4.50"
------------	--------------	-----------	--------------	-------

Fits Krause series 1740-1767, 2400-2495, 5812-5824, 8300, 8310, Landbuilder 4800 series, Excellerator 8000-14-20-30-40-50 disk gang. Also replaces Q4008370 and 40-173 . Replaces Great Plains 822-026C, 8300, 8310. Landoll 4800 Series, Excelerator 8000-14-20-30-40-50 Disk Gang. Also replaces Q4008370 and 40-173. Also fits 8300 Landoll Weather Proofer. Will fit Great Plains Heavy Duty disc gang assemblies on Turbo-Tills, Turbo Chopper, and Turbo Chisels. Replaces Great Plains 822-02C.

FLANGED DISC UNITS: IMPORT

- Dynamic alignment
- Positive relubrication
- Close clearance shroud protects bearing
- Plated case hardened stampings
- Solid rivet
- **Made with PATENTED MAX-A PERFORMANCE SEAL**
(Patented)



HEAVY DUTY DISC HARROW BEARINGS

PART #	REPLACES BCA® #	REPLACES FAFNIR® #	A. SHAFT SIZE	B.	C.	D.	E.
ST491A-AG	FD209RJA	DHU491A	1-3/4" Round	1.640	1.687	5.00	5.00
FD208R-I*			1" Square	1.378	1.503	4.75	4.69
FD208R-1 ¹ / ₈ -I			1-1/8" Square	1.378	1.503	4.75	4.69
FD209RB-I	FD209RB	DHU 1-1/2 R209	1-1/2" Round	1.640	1.687	5.00	5.00
FD209RK-I	FD209RK	DHU 1-1/4 S209	1-1/4" Square	1.640	1.687	5.00	5.00
FD209RM-I	FD209RM	DHU 1-1/8 S209	1-1/8" Square	1.640	1.687	5.00	5.00
FD210R-I	FD210R		1-1/8" Square	1.750	1.750	5.00	5.00
FD211RB-I	FD211RB	DHU 2-3/16 R211	2-3/16" Round	1.799	2.187	5.50	5.50
FD211RJA-I	FD211RJA	DHU 1-15/16 C211	1-15/16" Round	1.799	2.125	5.50	5.50
FD211RM-I	FD211RM	DHU 1-1/2" R211	1-1/2" Square	1.799	2.125	5.50	5.50

* ALSO AVAILABLE IN RELUBICATABLE STYLE, ADD "G" TO NUMBER

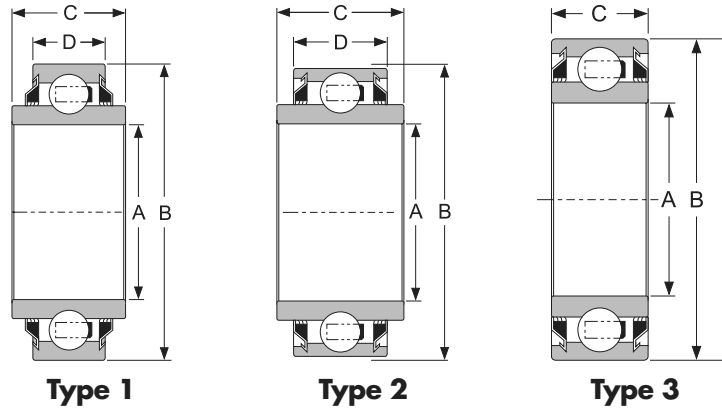
PART #	DESCRIPTION
ST491A	Fits 470, 480, 490, 610, 760, 3800, 3950 IHC® Discs
FD208R-I	Fits Modern, Monroe Tuffline, IHC®, King Kutter, and Howse
FD208R-1-1/8-I	Same as above
FD209RB-I	Fits Case-IH®, DMI, Great Plains, Krause, Landoll, and Steiger
FD209RK-I	Fits Case-IH®, Flex King, Great Plains, Krause, and Sunflower discs
FD209RM-I	Fits Kewanee, Sunflower, and White discs
FD210R-I	Fits Flex-King, Kewanee, Sunflower, and White
FD211RB-I	Fits Case-IH® 370, 375, 500, 5f01, 596, 700, 770; MRX 370, MRX 690, and RMX 790; IHC® #ST470 B
FD211RJA-I	Fits IHC®, John Deere®, and Noble Do Alls; replaces IHC® #ST3012A
FD211RM-I	Fits Brillion, Kewanee, Landoll, McFarlane, and Wil-Rich

TIMKEN®/FAFNIR HEAVY DUTY DISC HARROW BEARINGS

Made with triple lip seals.

Square Bore: Cylindrical Outside Diameter

HEAVY DUTY DISC HARROW BEARINGS

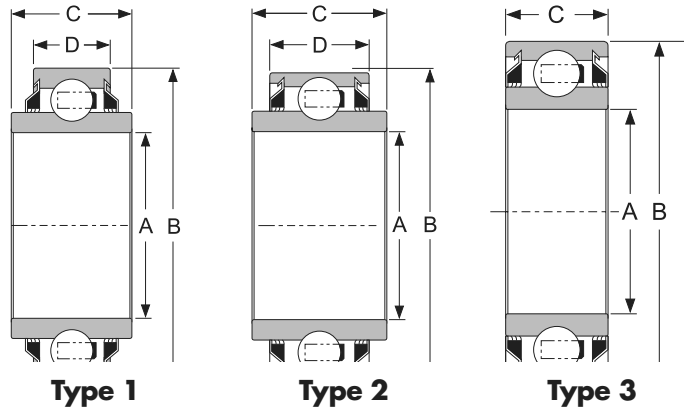


PART #	TYPE	A. BORE	B. O.D. SIZE	C. INNER RING WIDTH	D. OUTER RING WIDTH	LUBRICATION TYPE
W208PP6 AG	1	1"	3.1496"/80mm	1.4375"	0.7087"	Non-relube
W208K2 AG*	2	1"	3.1496"/80mm	1.6875"	1.2790"	Non-relube
W208K3 AG*	2	1-1/8"	3.1496"/80mm	1.6875"	1.2790"	Non-relube
W208PP5 AG	1	1-1/8"	3.1496"/80mm	1.4375"	0.7087"	Non-relube
W208PP8 AG	2	1-1/8"	3.1496"/80mm	1.4375"	1.1875"	Non-relube
GW208PP17 AG	2	1-1/8"	3.3755"	1.4375"	1.1880"	Relube
W210PP4 AG	3	1-1/8"	3.5433"/90mm	1.1875"	1.1875"	Non-relube
GW210PP4 AG	3	1-1/8"	3.5433"/90mm	1.1875"	1.1875"	Relube
W211PP3AG	3	1-1/2"	3.9370"/100mm	1.3125"	1.3125"	Non-relube
GW211PP3 AG	3	1-1/2"	3.9370"/100mm	1.3125"	1.3125"	Relube
GW211PP17 AG	2	1-1/2"	3.9370"/100mm	1.7500"	1.3125"	Relube
W211PP5 AG	2	1-1/2"	4.0000"	1.7500"	1.4380"	Non-relube
GW216PP2 AG	1	2-1/4"	5.5118"/140mm	2.5000"	1.1811"	Relube
* WITH REMOVABLE EXTERNAL SEALS						

PLEASE NOTE: NOT ALL TIMKEN® FAFNIR ARE MADE IN THE USA.
ASK YOUR SALES REP FOR COUNTRY OF ORIGIN INFORMATION.

TIMKEN®/FAFNIR DISC HARROW BEARINGS

Round Bore: Cylindrical Outside Diameter



HEAVY DUTY DISC
HARROW BEARINGS

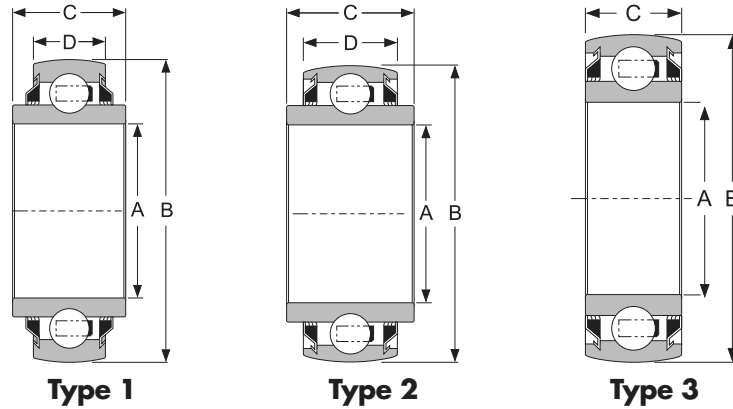
PART #	TYPE	A. BORE	B. O.D. SIZE	C. INNER RING WIDTH	D. OUTER RING WIDTH	LUBRICATION TYPE
GW210PP3 AG	3	1.4060"	3.5433"/90mm	1.1875"	1.1875"	Relube
W208PP10 AG	1	1-1/2"	3.1496"/80mm	1.6875"	0.8268"	Non-relube
GW211PP37 AG	2	1.7750"	3.9370"/100mm	1.7500"	1.3125"	Relube
W210PP10 AG	2	1-15/16"	3.5433"/90mm	1.9735"	1.3550"	Non-relube
W210PP2 AG	3	1-15/16"	3.5433"/90mm	1.1875"	1.1875"	Non-relube
GW210PP9 AG	2	1.9402"	3.5433"/90mm	1.4380"	0.9060"	Relube
W211PP2 AG	3	2-3/16"	3.9370"/100mm	1.3125"	1.3125"	Non-relube
GW211PP2 AG	3	2-3/16"	3.9370"/100mm	1.3125"	1.3125"	Relube
GW214PP2 AG	3	2-3/4"	4.9213"/125mm	1.5625"	1.5625"	Relube

PLEASE NOTE: NOT ALL TIMKEN® FAFNIR ARE MADE IN THE USA.
ASK YOUR SALES REP FOR COUNTRY OF ORIGIN INFORMATION.

TIMKEN®/FAFNIR DISC HARROW BEARINGS

Round Bore: Spherical Outside Diameter

HEAVY DUTY DISC HARROW BEARINGS

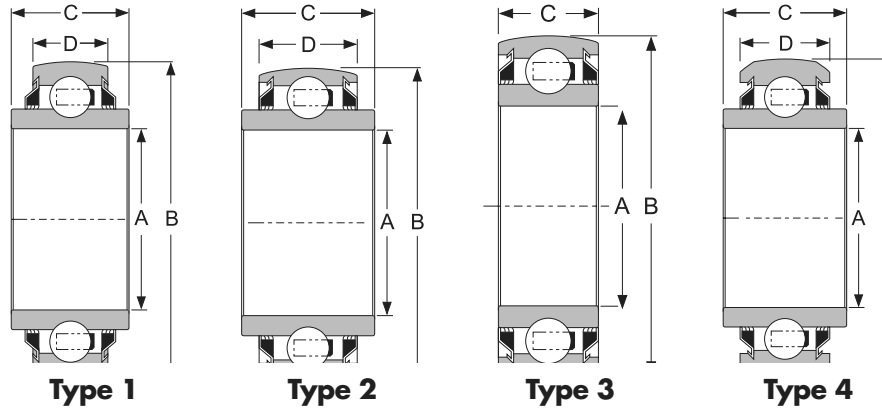


PART #	TYPE	A. BORE	B. O.D. SIZE	C. INNER RING WIDTH	D. OUTER RING WIDTH	LUBRICATION TYPE
W208PPB7 AG	1	1-3/16"	3.1496"/80mm	1.1875"	0.7087"	Non-relube
W208PPB2 AG	1	1-1/2"	3.1496"/80mm	1.688"	0.709"	Non-relube
W208PPB-23 AG	2	1-1/2"	3.1496"/80mm	1.688"	1.188"	Non-relube
W209PPB4 AG	3	1-1/2"	3.3465"/85mm	1.1875"	1.1875"	Non-relube
GW209PPB4 AG	3	1-1/2"	3.3465"/85mm	1.1875"	1.1875"	Relube
W209PPB2 AG	3	1-3/4"	3.3465"/85mm	1.1875"	1.1875"	Non-relube
GW209PPB2 AG	3	1-3/4"	3.3465"/85mm	1.1875"	1.1875"	Relube
GW209PPB11 AG	1	1-3/4"	3.3465"/85mm	1.4375"	0.8661"	Relube
W210PPB5 AG	3	1-3/4"	3.5433"/90mm	1.1875"	1.1875"	Non-relube
GW210PPB5 AG	3	1-3/4"	3.5433"/90mm	1.188"	1.188"	Relube
GW211PPB13 AG	1	1-3/4"	3.9370"/100mm	1.3125"	0.9843"	Relube
W210PPB2 AG	3	1-15/16"	3.5433"/90mm	1.1875"	1.1875"	Non-relube
GW210PPB2 AG	3	1-15/16"	3.5433"/90mm	1.1875"	1.1875"	Relube
GW211PPB14	1	2"	3.9370"/100mm	1.3120"	0.9843"	Relube
GW211PPB8 AG	1	2-3/16"	3.9370"/100mm	1.3125"	0.9843"	Relube
W211PPB2 AG	3	2-3/16"	3.9370"/100mm	1.3125"	1.3125"	Non-relube
GW211PPB2 AG	3	2-3/16"	3.9370"/100mm	1.3125"	1.3125"	Relube
GW211PPB9 AG	1	2-3/16"	3.9370"/100mm	1.5625"	0.9843"	Relube
GW211PPB13 AG	2	1-3/4"	3.9370"/100mm	1.312"	0.984"	Relube
GW211PPB14 AG	2	2"	3.9370"/100mm	1.312"	0.984"	Relube
GW214PPB5 AG	2	2.7553"	4.9213"/125mm	2.4380"	1.5620"	Relube
GW214PPB2 AG	3	2.7580"	4.9213"/125mm	1.5625"	1.5625"	Relube

PLEASE NOTE: NOT ALL TIMKEN®/FAFNIR ARE MADE IN THE USA.
ASK YOUR SALES REP FOR COUNTRY OF ORIGIN INFORMATION.

TIMKEN®/FAFNIR DISC HARROW BEARINGS

Square Bore: Spherical Outside Diameter



HEAVY DUTY DISC HARROW BEARINGS

PART #	TYPE	A. BORE	B. O.D. SIZE	C. INNER RING WIDTH	D. OUTER RING WIDTH	LUBRICATION TYPE
W208PPB11 AG	4	7/8"	3.4252"/87mm	1.4375"	1.1875"	Non-relube
W208PPB13 AG	1	7/8"	3.1496"/80mm	1.4375"	0.7087"	Non-relube
W208PPB6 AG	1	1"	3.1496"/80mm	1.4375"	0.7087"	Non-relube
GW208PPB6 AG	2	1"	3.1496"/80mm	1.4375"	0.9449"	Relube
W208PPB5 AG	2	1-1/8"	3.1496"/80mm	1.4375"	0.7087"	Non-relube
GW208PPB5 AG	2	1-1/8"	3.1496"/80mm	1.4375"	0.9449"	Relube
GW208PPB8 AG	2	1-1/8"	3.1496"/80mm	1.4375"	1.1875"	Relube
W208PPB12 AG	4	1-1/8"	3.4252"/87mm	1.4375"	1.1875"	Non-relube
W210PPB4 AG	3	1-1/8"	3.5433"/90mm	1.1875"	1.1875"	Non-relube
GW210PPB4 AG	3	1-1/8"	3.5433"/90mm	1.1875"	1.1875"	Relube
W209PPB5 AG	2	1-1/4"	3.3465"/85mm	1.4375"	1.1875"	Non-relube
GW209PPB5 AG	2	1-1/4"	3.3465"/85mm	1.4375"	1.1875"	Relube
GW209PPB8 AG	1	1-1/4"	3.3465"/85mm	1.4375"	0.8661"	Relube
W211PPB3 AG	3	1-1/2"	3.9370"/100mm	1.3125"	1.3125"	Non-relube
GW211PPB3 AG	3	1-1/2"	3.9370"/100mm	1.3125"	1.3125"	Relube
W211PPB6 AG	4	1-1/2"	4.1300"	1.7500"	1.4375"	Non-relube

PLEASE NOTE: NOT ALL TIMKEN® FAFNIR ARE MADE IN THE USA.
 ASK YOUR SALES REP FOR COUNTRY OF ORIGIN INFORMATION.

NTN® HEAVY DUTY DISC HARROW BEARINGS: MADE IN JAPAN



Same dimensions as Timken®/Fafnir.

HEAVY DUTY DISC HARROW BEARINGS

PART #	DESCRIPTION	FAFNIR® PART #	B. O.D. SIZE
FD209RE	NTN Flanged Disc Round Bore	DHU 1.1/2R-209	1-1/2 Round
FD209RJA	NTN Flanged Disc Round Bore	Premium DHU491A	1-3/4 Round
FD209RJH	NTN Flanged Disc Round Bore	DHU491A	1-3/4 Round
FD211RBA		DHU 2.3/16R-211	2-3/16 Round
FD211REA	NTN Flanged Disc Round Bore	DHU 1.3/4R-211	1-3/4 Round
FD211RJA	NTN Flanged Disc Round Bore		1-15/16 Round
FD209RK	NTN Flanged Disc Square Bore	DHU 1.1/4S-209	1-1/4 Square
FD209RM		DHU 1.1/8S-209	1-1/8 Square
FD211RM	NTN Flanged Disc Square Bore	DHU 1.1/2S-211	1-1/2 Square
DC208TT10	NTN Flanged Disc Round Bore	W208PP10	1.5000 Round
DC209TTR10			1.7700 Round
DC210TT2	NTN Flanged Disc Round Bore	W210PP2	1.9380 Round
DC211TT2	NTN Flanged Disc Round Bore	W211PP2	2.1880 Round
DC211TTR2	NTN Flanged Disc Round Bore	GW211PP2	2.1880 Round
DC211TTR21		GW211PP37	1.7800 Round
DC214TTR2	NTN Flanged Disc Round Bore	GW214PP2	2.7559 Round
DC214TTR3	NTN Flanged Disc Round Bore		2.6881 Round
DC208TT	NTN Flanged Disc Square Bore	W208K3	1-1/8 Square
DC208TT5		W208PP5	1-1/8 Square
DC208TT6	NTN Flanged Disc Square Bore	W208PP6	1 Square
DC208TT8	NTN Flanged Disc Square Bore	W208PP8	1-1/8 Square
DC208TTR17	NTN Flanged Disc Square Bore	GW208PP17	1-1/8 Square
DC209TTR8		GW209PP8	1-1/4 Square
DC210TT4	NTN Flanged Disc Square Bore	W210PP4	1-1/8 Square
DC210TTR4	NTN Flanged Disc Square Bore	GW210PP4	1-1/8 Square
DC211TT3	NTN Flanged Disc Square Bore	W211PP3	1-1/2 Square
DC211TT5		W211PP5	1-1/2 Square
DC211TTR3	NTN Flanged Disc Square Bore	GW211PP3	1-1/2 Square
DC211TTR3E	NTN Flanged Disc Square Bore	GW211PP17	1-1/2 Square
DC211TTR4	NTN Flanged Disc Square Bore	GW211PP4	1-12 Square
DC212TTR			1-3/4 Square
DC216TTR2	NTN Flanged Disc Square Bore	GW216PP2	2-1/4 Square
DS208TT2A	NTN Flanged Disc Round Bore	W208PPB23	1.5005 Round
DS208TT7		W208PPB7	1.1880 Round
DS209TT2	NTN Flanged Disc Round Bore	W209PPB2	1.7717 Round
DS209TT4	NTN Flanged Disc Round Bore	W209PPB4	1.5300 Round
DS209TT6	NTN Flanged Disc Round Bore	W209PPB6	1.5300 Round
DS209TTR10		GW209PPB11	1.7780 Round
DS209TTR11B	NTN Flanged Disc Round Bore		1.7700 Round


NTN® HEAVY DUTY DISC HARROW BEARINGS: MADE IN JAPAN

Same dimensions as Timken®/Fafnir.

PART #	DESCRIPTION	FAFNIR® PART #	B. O.D. SIZE
DS209TTR2	NTN Flanged Disc Round Bore	GW209PPB2	1.7717 Round
DS209TTR4	NTN Flanged Disc Round Bore	GW209PPB4	1.5300 Round
DS209TTR6JA	NTN Flanged Disc Round Bore		1.7700 Round
DS209TTR6P	NTN Flanged Disc Round Bore		1.5300 Round
DS209TTR6PA	NTN Flanged Disc Round Bore	W210PPB2	1.7700 Round
DS210TT2	NTN Flanged Disc Round Bore		1.9380 Round
DS210TT5	NTN Flanged Disc Round Bore	W210PPB5	1.7850 Round
DS210TTR2	NTN Flanged Disc Round Bore	GW210PPB2	1.9380 Round
DS210TTR5R	NTN Flanged Disc Round Bore	GW210PPB5	1.7850 Round
DS211TT2	NTN Flanged Disc Round Bore	W211PPB2	2.1880 Round
DS211TT4	NTN Flanged Disc Round Bore	W211PPB4	2.1880 Round
DS211TTR13	NTN Flanged Disc Round Bore	GW211PPB13	1.7850 Round
DS211TTR14	NTN Flanged Disc Round Bore	GW211PPB14	2.0150 Round
DS211TTR2	NTN Flanged Disc Round Bore	GW211PPB2	2.1880 Round
DS211TTR21A	NTN Flanged Disc Round Bore		1.7800 Round
DS211TTR23	NTN Flanged Disc Round Bore		1.7800 Round
DS211TTR8R	NTN Flanged Disc Round Bore		2.1880 Round
DS214TTR3	NTN Flanged Disc Round Bore		1.9381 Round
DS214TTR5	NTN Flanged Disc Round Bore	GW1214PPB5	2.7559 Round
DS208TT12	NTN Flanged Disc Square Bore		1-1/8 Square
DS208TT12A	NTN Flanged Disc Square Bore	W208PPB12	1-1/8 Square
DS208TT13	NTN Flanged Disc Square Bore	W208PPB13	7/8 Square
DS208TT5	NTN Flanged Disc Square Bore	W208PPB5	1-1/8 Square
DS208TT6	NTN Flanged Disc Square Bore	W208PPB6	1 Square
DS208TT8	NTN Flanged Disc Square Bore	W208PPB8	1-1/8 Square
DS208TT9	NTN Flanged Disc Square Bore	W208PPB9	1 Square
DS208TTR5	NTN Flanged Disc Square Bore	GW208PPB5	1-1/8 Square
DS208TTR8	NTN Flanged Disc Square Bore	GW208PPB8	1-1/8 Square
DS209TT5	NTN Flanged Disc Square Bore	W209PPB8	1-1/4 Square
DS209TTR15	NTN Flanged Disc Square Bore		1-1/8 Square
DS209TTR5	NTN Flanged Disc Square Bore	GW209PPB5	1-1/4 Square
DS209TTR8	NTN Flanged Disc Square Bore	GW209PPB8	1-1/4 Square
DS210TT4	NTN Flanged Disc Square Bore	W210PPB4	1-1/8 Square
DS210TTR4	NTN Flanged Disc Square Bore	GW210PPB4	1-1/8 Square
DS211TT3	NTN Flanged Disc Square Bore	W211PPB3	1-1/2 Square
DS211TT6	NTN Flanged Disc Square Bore	W211PPB6	1-1/2 Square
DS211TTR3	NTN Flanged Disc Square Bore	GW211PPB3	1-1/2 Square
DS216TTR2	NTN Flanged Disc Square Bore		2-1/4 Square

**HEAVY DUTY DISC
HARROW BEARINGS**

TIMKEN® FLANGED DISC UNITS: MADE IN USA

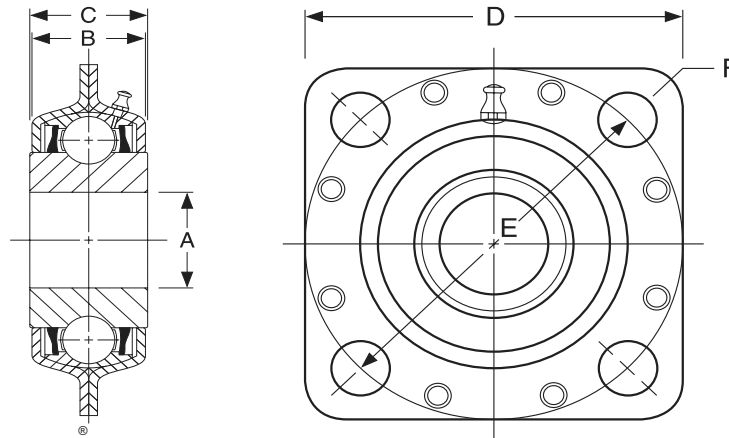
TIMKEN



Flanged disc harrow bearing units are integral assemblies specifically designed for the most severe tillage applications. Each configuration incorporates certain special dimensional attributes making the unit compatible in a variety of equipment designs. Inherent in most designs are two heavy gauge case hardened and zinc plated stampings which encapsulate the bearing with eight cold formed rivets for guaranteed integrity. Within the cavity two nitril O-rings are installed to exclude contaminants and provide a grease seal to ensure lubricant feeds directly into the bearing. The grease fitting is permanently retained in the stamping for easy access and maximum protection for the environment.

HEAVY DUTY DISC HARROW BEARINGS

- Solid rivet
- Dynamic alignment
- Positive relubrication
- Plated case hardened stampings
- Circumferentially restrained outer ring
- Close clearance shroud protects bearing
- High performance USA disc harrow bearing

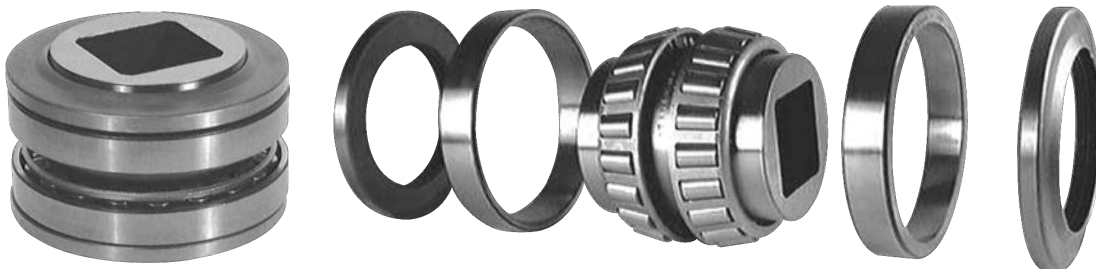


PART #	A. SHAFT SIZE	B.	C.	D.	E.	BOLT HOLE
DHU491A AG	1-3/4" Round	1.6400"	1.6870"	5.0000"	5.0000"	0.531"
DHU 1-1/2-209	1-1/2" Round	1.6400"	1.6870"	5.0000"	5.0000"	0.531"
DHU 1-1/4 AG	1-1/4" Square	1.6400"	1.6870"	5.0000"	5.0000"	0.531"
DHU 1-1/8 AG	1-1/8" Square	1.6400"	1.6870"	5.0000"	5.0000"	0.531"
DHU 2-3/16 AG	2-3/16" Round	1.7990"	2.1870"	5.5000"	5.5000"	0.531"
DHU 1-3/4 AG	1-3/4" Round	1.7990"	2.1870"	5.5000"	5.5000"	0.531"
DHU 1-15/16 AG	1-15/16" Round	1.7990"	2.1250"	5.5000"	5.5000"	0.531"
DHU 1-1/2-211	1-1/2" Square	1.7990"	2.0000"	5.5000"	5.5000"	0.531"

ASK YOUR AGRI CUSTOMER SERVICE REP ABOUT QUANTITY PRICING

TIMKEN

TIMKEN® TAPERED SQUARE BORE BEARING KITS: FOR DISCS & LEVEE PLOWS



HEAVY DUTY DISC
HARROW BEARINGS

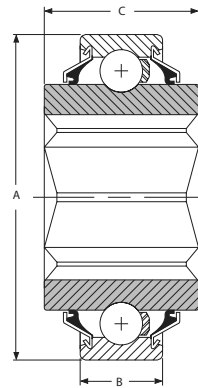
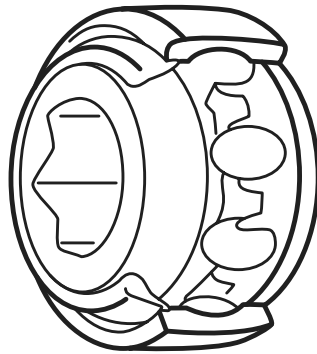
PART #	DESCRIPTION
AGRI #2 Kit	<p>1-1/4" Square Bore Double Tapered Roller Bearing with Two (2) Races and Two (2) Seals. Fits John Deere® discs AWR, BF, BFT, BWA, BWS. Replacement for John Deere® AB12603, JD8327 and B31312. Also fits Case IH® and Kewanee discs and replaces 469384R91, 518819R91, and 469838R91.</p>
AGRI #3 Kit	<p>1-1/2" Square Bore Double Tapered Roller Bearing with Two (2) Races and Two (2) Seals. Replacement for John Deere® TW and TWA and Midland 840 and 950 discs. Also fits Prime, levee Plow discs, Cane cultivators, Athens plow and Peerless. Replaces #AB14028. Replaces Prime #15850 bearings.</p>
AGRI #3 Kit IMPORT	<p>Same as Above Timken® - Imported Agri Brand</p>

AGRI #4 Kit

1-1/8" Square Bore Double Tapered Roller Bearing with Two (2) Races and Two (2) Seals.
Fits Kewanee discs: 100, 200, 300, 700 and 900. Also fits IH 48 discs.

HEX BORE CYLINDRICAL O.D.: IMPORT AND DOMESTIC

HEAVY DUTY DISC HARROW BEARINGS



Timken® / Domestic

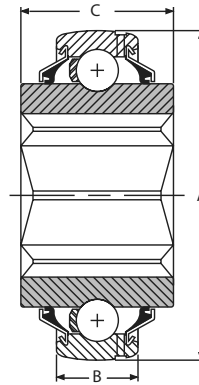
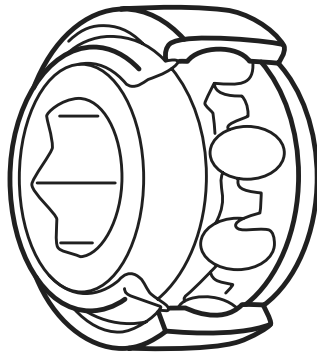


PART #	SHAFT SIZE	A. OUTSIDE DIAMETER	B. OUTER RING WIDTH	C. INNER RING WIDTH
204KRR2 AG	11/16"	1.8504"/47mm	0.5512"/14mm	0.8250"
205KRR2 AG	7/8"	2.0472"/52mm	0.5906"/15mm	1.0000"
206KRR6 AG	1"	2.4409"/62mm	0.6299"/16mm	0.9449"
206KPP3 AG*	1"	2.4409"/62mm	0.6299"/16mm	0.9449"
207KRR17 AG	1-1/4"	2.8346"/72mm	0.6693"/17mm	0.9843"
W208PP21 AG	1-1/4"	3.1496"/80mm	0.7087"/18mm	1.4375"
* TRIPLE LIP				

Import

PART #	INTERCHANGES WITH FAFNIR® #	SHAFT SIZE	A. OUTSIDE DIAMETER	B. OUTER RING WIDTH	C. INNER RING WIDTH
205KRR2-I	205KRR2 AG	7/8"	2.0472"/52mm	0.5906"/15mm	1.000"
HPC100GP-I	206KRR6 AG	1"	2.4409"/62mm	0.6299"/16mm	0.9449"
HPC103TPA-I**		1-1/4"	3.5433"/90mm	0.8661"/22mm	1.432"
HPC104TPA-I	W208PP21 AG	1-1/4"	3.1496"/80mm	0.7087"/18mm	1.4375"
** NTN BRAND					

HEX BORE SPHERICAL O.D.: IMPORT AND DOMESTIC



HEAVY DUTY DISC HARROW BEARINGS



Timken® / Domestic

PART #	SHAFT SIZE	A. OUTSIDE DIAMETER	B. OUTER RING WIDTH	C. INNER RING WIDTH
205KRRB2 AG	7/8"	2.0472"/52mm	0.5906"/15mm	1.0000"
206KRRB6 AG	1"	2.4409"/62mm	0.6299"/16mm	0.9449"
207KRRB12 AG	1-1/8"	2.8346"/72mm	0.6693"/17mm	0.9843"
207KRRB17 AG	1-1/4"	2.8346"/72mm	0.6693"/17mm	0.9843"
W208PPB16 AG	1-1/4"	3.1496"/80mm	0.8661"/22mm	1.4375"
W208KRRB6 AG	1-3/8"	3.1496"/80mm	0.8268"/21mm	1.4375"
209KRRB2 AG	1-1/2"	3.3465"/85mm	0.7480"/19mm	1.1811"
210RRB6 AG	1-1/2"	3.5433"/90mm	0.8661"/22mm	1.1811"

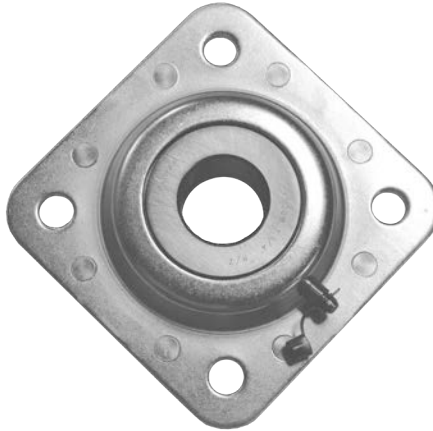
Import

PART #	INTERCHANGES WITH TIMKEN® #	SHAFT SIZE	A. OUTSIDE DIAMETER	B. OUTER RING WIDTH	C. INNER RING WIDTH
205KRRB2-I	205KRRB-2 AG	7/8"	2.0472"/52mm	0.5906"/15mm	1.0000"
HPS100GP-I	206KRRB6 AG	1"	2.4409"/62mm	0.6299"/16mm	0.9449"
HPS102GPE-I	207KRRB-12 AG	1-1/8"	2.8346"/72mm	0.6693"/17mm	0.9843"
HPS102GR-I	G207KPPB3 AG	1-1/8"	2.8346"/72mm	0.6693"/17mm	1.485"
HPS104TR-I	W208PPB16 AG	1-1/4"	3.1496"/80mm	0.8661"/22mm	1.4375"
HPS108GPB-I	210RRB-6 AG	1-1/2"	3.5433"/90mm	0.8661"/22mm	1.1811"
HPS108GPH-I	209KRRB-2 AG	1-1/2"	3.3465"/85mm	0.7480"/19mm	1.1811"

DISK HARROW BEARINGS

J&M MANUFACTURING
Torsion-Flex Soil Conditioners

HEAVY DUTY DISC HARROW BEARINGS



Basket Bearing: 4-Bolt Riveted Flange, 1-1/4" Round Bore

PART #	DESCRIPTION
ST491A-1-1/4 Rd.	Basket bearing. 4-Bolt riveted flange. 1-1/4" Round bore. Fits TF2, TF212, and TF215. Replaces J&M #ST4914-162-114.

Wheel Bearing Kit for Above

0.0556 IN	DESCRIPTION
JM #1	Wheel Bearing Kit for Above TF2, TF212, and TF215. Kit consists of two (2) cups, two (2) cones, and seal. Timken® brand.



GREAT PLAINS TURBO MAX BEARING

PART #	DESCRIPTION
W211K57	Great Plains Turbo Max Bearing. 6-lip design used in 822-249C.



UNVERFERTH
Round Disk Bearing Assembly, 1-1/8" Square Bore

PART #	DESCRIPTION
Agri Part #902714 AG	Unverferth 1-1/8" Square Bore Round Disk Bearing Assembly. Replaces Unverferth #902714. Fits 632 Ripper Roller, 1225 Rolling Harrow Folding Perfect 30' & 40' models.

COMPLETE BEARING ASSEMBLIES: FOR DISKS, DITCHERS, LEVEE PLOWS, RIPPER STRIPPER, & STRIP-TILL

AMCO

Complete Bearing Assembly



FB090015



16014 AG

DISK, PLOW, RIPPER STRIPPER & STRIP TILL

PART #	DESCRIPTION
FB090015AG	Complete bearing assembly for levee plow TJ3-F15 and F41 plow with Timken® bearings. Replaces Amco #FB-09-0015.
GW211PP17 AG	Replacement bearing for #FB090015AG. Timken® brand.
FB090015-I	Same assembly as above but with import bearing. Agri brand.
GW211PP-17	Replacement bearing for # FB090015-I. Agri brand.
16014 AG	Complete bearing assembly for Amco J43 and J44 plow. Agri brand bearing.
GW214PP3	2-11/16" replacement bearing for 16014 AG.

PRIME

Complete Bearing Assembly



1P501

PART #	DESCRIPTION
1P501	Complete bearing assembly for Prime levee plows and Cane cultivators. Also fits Midland disk harrows. Uses Timken® double tapered roller bearing.
Agri #3 Kit	Bearing with races and seals for #1P501.
1P501-I	Same as above with Agri brand tapered roller bearing.
1P500	Housing only.

REMLINGER/PFM

Ditcher Bearing



PD0088 Agri

PART #	DESCRIPTION
Agri Part #PD0088 Agri	Remlinger/PFM Ditcher Bearing. For models PFM 400 Series; serial 400-40 or higher. Old part #10500050—New part #PD0088.

COMPLETE BEARING ASSEMBLIES: FOR DISKS, DITCHERS, LEVEE PLOWS, RIPPER STRIPPER, & STRIP-TILL

CASE-IH

Complete Bearing Assembly: For RMX340 & 3950 Flex Wing Tandem



1-3/4" Round Bore

PART #	DESCRIPTION
Agri #907AG	Complete bearing assembly for RMX340 and 3950 flex wing tandem. Includes housing, bearing, space, and snap ring. Replaces #193907A1 housing. Replaces #193906A1 bearing. NTN brand bearing.
SBX1226	Replacement bearing. NTN brand.
Agri #907AG-I	Same as above with Agri brand bearing.
GW212PP-I	Replacement bearing. Agri brand.

CASE-IH

Complete Bearing Assembly: For RMX 370, MRX 690 & 870 Eco-Tiger Disk Ripper



2.187 Round Bore

PART #	DESCRIPTION
Agri #908AG	Complete bearing assembly for RMX 370, MRX 690 and 870 Eco-Tiger disk ripper. Includes housing, bearing, space, snap ring. Replaces #193907A1 housing. Replaces #409556A1 bearing. NTN brand bearing.
SBX1227LL5Q1	2-11/16" replacement bearing for 16014 AG.
Agri #908AG-I	Same as above with Agri brand bearing.
DC212TTRBN-I	Replacement bearing. Agri brand.

KMC

Complete Bearing Assembly for KMC Strip-Till



PART #	DESCRIPTION
16-081-004AG	Fits KMC Strip Till complete with bearing and snap ring. Replaces #16-057-011. Agri brand.
16-057-011AG	Hub only for above. Replaces #16-057-011.

DISK, PLOW, RIPPER STRIPPER & STRIP TILL

COMPLETE BEARING ASSEMBLIES: FOR DISKS, DITCHERS, LEVEE PLOWS, RIPPER STRIPPER, & STRIP-TILL

SUNFLOWER

Trunion Bearing Assembly: For 1232, 1300, 1400, 1400, 4310, 4311, & 4360 Series Disk



Agri #SN3090



SN3090HD

DISK, PLOW, RIPPER STRIPPER & STRIP TILL

PART #	DESCRIPTION
Agri #SN3090	Trunion bearing assembly for 1232, 1300, 1400, and 1400 series disk. Also fits 4310, 4311, and 4360. Will also fit same Amco, Blanton, and W.A. disks. Timken® brand bearing.
Agri #SN3090-I	Same as above with Agri brand bearing.
GW211PP37	Replacement bearing. Timken® brand.
GW211PP25	Replacement bearing. Agri brand.
SN3090HD	Heavy Duty—GREASED FOR LIFE—1-3/4" Disk Harrow Trunion Bearing Assembly for Sunflower, Landoll, Massey Ferguson, and Kongskilde.
W211K56	Bearing only for above #SN3090HD.

UNVERFERTH

Complete Hub for Ripper Stripper



Agri #64533AG

PART #	DESCRIPTION
Agri #64533AG	Complete hub for ripper stripper. Includes bearings, o-rings, end cup, and triple lip seal.
86301AG	Hub only for above. Replaces #86301.

**DISK, HIPPER & LEVEE PLOW PARTS:
AXLES, HOUSINGS, SPOOLS, SPACER, & COMPONENTS PARTS**
Amco Hipper with 1-1/8" Axle

3416AG

PART #	REPLACES OEM #	DESCRIPTION
1A801	3416	Bearing Housing for 1-1/8" Axle
1A802	11005	Snap Ring for Housing
W210PP4 AG	10446	Disk Bearing Timken®
W210PP-4	10446	Disk Bearing Import
1A803	3180	2-1/2" x 4" Spool
1A804	3181	3-1/2" x 4 7/8" Spool
1A805	2030	End Washer
1A806	2116	Lock Plate
1A807		1-1/8" Gang Axle; Includes Nut & Washer
3416AG		Complete Hipper Bearing Assembly, Timken®
3416AG-I		Complete Hipper Bearing Assembly, Import

Amco Hipper with 1-1/2" Axle

17028 AG

PART #	REPLACES OEM #	DESCRIPTION
1A821	17028	Bearing Housing for 1-1/2" Axle
GW211PP3 AG	G11071	Disk Bearing Timken® USA
GW211PP-3	G11071	Disk Bearing Import
1A822	11064	Snap Ring for Housing
1A823	17029	Long Spool
1A824	17027	Short Spool
1A825	1222A	End Washer
1A826	9578A	Bumper Washer
1A827	20561	15-1/8" Long Axle 1-1/2" Square
17028 AG		Complete Hipper Bearing Assembly, Timken®
17028AG-I		Complete Hipper Bearing Assembly, Agri Brand

**DISK, HIPPER, & LEEVE PLOW PARTS:
AXLES, HOUSINGS, SPOOLS, SPACER, & COMPONENTS PARTS**

Amco Levee Plow Parts with 1-1/2" Axle



16003 AG

DISK, PLOW, RIPPER
STRIPPER & STRIP TILL

PART #	REPLACES OEM #	DESCRIPTION
1A831	16003	Bearing housing
GW211PP3 AG	G11071	Disk bearing, Timken®
GW211PP-3	G1071	Disk bearing, import
GW211PP-27	12233	Disk bearing, import
1A832	11064	Snap ring
1A833	17007	Long spool for 1-1/2" square axle
1A834	17006	Short spool for 1-1/2" square axle
1A835	1222A	End washer
1A836	9578A	Bumper washer
1A838	9440	33-3/4" Long axle , 1-1/2" square
16003 AG		Complete bearing assembly Timken® with #GW211PP3AG Bearings
16003AG-I		Complete bearing assembly with #GW211PP-3 import bearings
16003AG-27		Complete bearing assembly with #GW211PP27 import bearings

Amco Disk Harrow: For 1-1/2" Axle F-15 Series & Others

PART #	REPLACES OEM #	DESCRIPTION
1A851	16003	Bearing housing
GW211PP3 AG	G11071	Disk bearing Timken® USA
GW211PP-3	G1071	Disk bearing, import
1A852	11064	Snap ring
1A853	17009	Small bell end 5-1/2" x 4-1/2"
1A854	17010	Large bell end
1A825	1222A	End washer
16003AG		Complete housing assembly, Timken®
16003AG-I		Complete bearing assembly, Agri brand

**DISK, HIPPER, & LEVEE PLOW PARTS:
AXLES, HOUSINGS, SPOOLS, SPACER, & COMPONENTS PARTS**
Forest City Hipper with 1-1/8" Axle

2764AG

PART #	REPLACES OEM #	DESCRIPTION
1A401	2764	Bearing housing
W208PP5 AG	2251	Disk bearing Timken® USA
W208PP-5	2251	Disk bearing import
1A402	2763	Snap ring
1A405	2765	Bearing spacer
1A406	2761	Convex spool
1A407	2766	Concave spool
1A408	2767	End washer
1A409	2758	Bumper washer
1A410	2757	1-1/8" Axle x 12" long with nut and washer
2764AG		Complete housing assembly with Timken® bearing
2764AG-I		Complete bearing assembly with Agri brand bearing

W&A Hipper with 1-1/8" Axle

201306 AG

PART #	REPLACES OEM #	DESCRIPTION
1A701	201306	Bearing housing
W208PP5 AG	481202	Disk bearing, Timken® USA
W208PP-5	481202	Disk bearing, Agri brand
1A702	200881	Bearing spacer
1A703	478020	Bumper washer
1A704	201492	1-7/8" tall x 4-5/16" O.D., convex spacer
1A705	201493	2-3/16" tall x 4-13/16" O.D., convex spacer
1A706	201494	1-3/8" x 4-1/4" O.D. end washer
201306 AG		Complete housing assembly with Timken® bearing
201306 AG-I		Complete housing assembly with Agri brand bearing

KMC REPLACEMENT PARTS FOR HIPPER, TILLIVATOR, & RIPPER



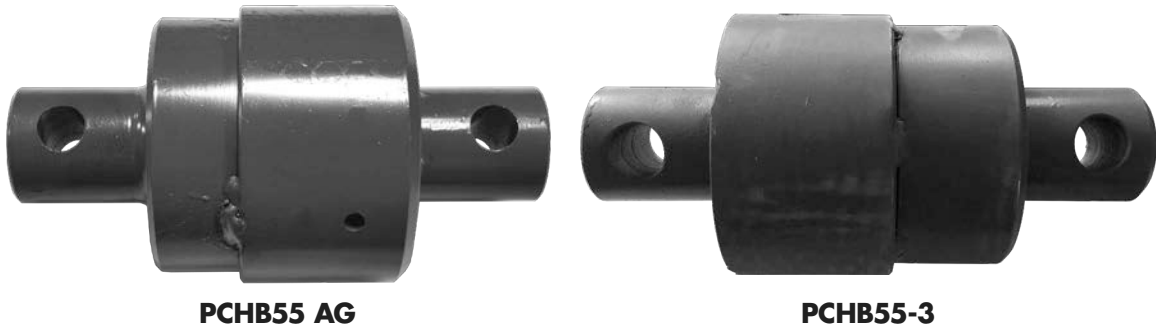
DISK, PLOW, RIPPER
STRIPPER & STRIP TILL

PART #	REPLACES OEM #	DESCRIPTION
1A450	06-057-013	Bearing housing
1A451	06-050-001	Snap ring for housing
1A452	06-024-006	Bearing spacer
1A453	06-057-005	End washer
1A454	06-057-002	Bumper washer
1A455	06-057-003	Convex spool
1A456	06-057-004	Concave spool
1A457	06-057-009	1-1/8" axle x 12" long
W208PP5-1	06-051-001	Gang bearing for #06-057-013, Import
W208PP5 AG	06-051-001	Gang bearing for #06-057-013, Timken® brand

KMC Rototiller Bearings

KMC PART #	DESCRIPTION
02-051-025 Sub 33-051-002 USA	1-3/4" bore bearing, Timken® brand
02-051-026 USA	1-3/4" hex bore bearing, Timken® brand
02-051-026 Import	1-3/4" hex bore, import
02-051-048 Sub to 33-051-065 USA	1-15/16" bore bearing Timken® triple lip
02-051-048 Sub to 33-051-065 Import	1-15/16" bore bearing, import triple lip

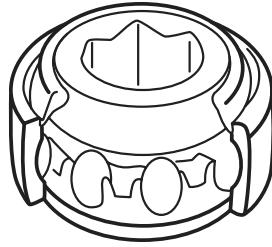
**KELLY DIAMOND REPLACEMENT PARTS:
FOR 30'-40' & 45'-50' MODELS & 60' 62', 62HDX, & 65' MODELS**



DISK, PLOW, RIPPER
STRIPPER & STRIP TILL

PART #	REPLACES OEM #	DESCRIPTION
PCHB55 AG	0802-PCHB55	Complete bearing assembly. Radial ball bearings made in Japan.
6211-2RS	0112-6211	Replacement bearing
55X80X8	0121-TC5888	Metric seal
6211BL		Bearing and seal kit for #PCHB55
PCHB55-3	#0802-PCHB553	Complete Bearing Assembly for Kelly Diamond. Fits 60'-62', 62HDX, and 65'.
6211BL3		Repair kit for above
073390		Wheel Bearing Kit for 90 Series axle
33011	0111-33011	Cup and cone for center frame and outer wing assembly hub #H96880
906510 AG	0121-AP72M29065-10	Replacement seal w/trash guard for hub #H96880
Hub #96880 Kit		Complete bearing kit for hub #H98660. Includes two (2) bearings and one (1) seal.
30210	0111-30210	Cup and cone for jockey wheel hub #H83660
Set 50	0111-LM29749-10	Cup and cone front side for hub #H83660
64607 AG	0121-AP64607	Replacement seal w/trash guard for hub #H83660
Hub #83660 Kit		Complete bearing kit for hub #H83660. Includes two (2) bearings and one (1) seal.
32011X	BE32011XJ	Back cup and cone for hub #H94880
32008X	BE32008X	Front cup and cone for hub #H94880
906510 AG	KEAP7MZ	Replacement seal w/trash guard for hub #H94880
Hub #94880 Kit		Complete bearing kit for hub #H94880. Includes two (2) bearings and one (1) seal.
Hub #CKE Kit		Complete bearing kit for hub #HUBCKE. Includes two (2) bearing sets and one (1) seal.

**MONOSEM PLANTER BEARINGS & CHAIN:
FOR MS MINI SEED PLANTERS, NG+ PLANTERS, & NC SHOE TYPE PLANTERS**



**DISK, PLOW, RIPPER
STRIPPER & STRIP TILL**

PART #	REPLACES MONOSEM #	DESCRIPTION
460J19	4413	Belt
5203KYY2	900125	Implement bearing
5203KYY2 AG	900125 USA	Implement bearing
5204-2RS	7014.A	Ball bearing
6004-2RS	6221	Ball bearing
6006 2RS	11579	Ball bearing
6007-2RS	4525	Ball bearing
6206-2RS	4407	Ball bearing
6306-2RS	4408	Ball bearing
885152	7081	Stem bearing
204FREN	KA2014	Implement bearing
204PY3 AG	KA2014 USA	Implement bearing, Timken®
205KRRB-2	4515	Hex bore bearing
205KRRB-2 AG	4515 USA	Hex bore bearing, Timken®
205KRR2	KA5176	Hex bore bearing
205KRR-2 AG	KA5176 USA	Hex bore bearing, Timken®
AA 35741WB	7081 ASSY	Stem bearing assembly
Agri #KA2180 AG	KA2180	Hanger bearing
Agri #K3310-80 AG	K3310-80	Transmission chain, pull type, 4-12 rows
Agri #K3303-114 AG	K3303-114	US insecticide drive chain
Agri # K3310-132 AG	K3310-132	Contact drive wheel chain, pull types
Agri #4791 AG	4791.A	Chain assembly
Agri #4795 AG	4795.A	Chain assembly
Agri # 7114 AG	7114	NG+ unit drive chain
Agri # 7114.TR AG	7114.TR	NG+ unit drive chain, twin row with timing system
Agri #900259 AG	900259	Unit drive chain
Agri #900184.B AG	900184.B	Twin row drive chain
Agri #900327 AG	900327	Twin row 7.5" drive chain
Agri #900328 AG	900328	Twin row 7.5" drive chain

WHEEL & HUB BEARING KITS

Wheel and hub bearing kits for popular agricultural equipment consisting of Timken® bearings and Timken® or Chicago Rawhide oil seals. Most kits include hub caps.

AMCO

PART #	DESCRIPTION
Amco #1	Fits F-15 disk mainframe hub with 204500 seal
Amco #1-A	Fits F-15 disk mainframe hub with 204506 seal
Amco #1-B	Fits F15 disk mainframe hub with 204035 seal
Amco #2	Fits F-15 disk with wing hub and J43 transport wheel
Amco #F-15	Fits F-15 disk mainframe with 8-bolt hub
AGRI #17	Fits F-15 disk with wing hub and J42 transport wheel
AGRI #22	Fits F-15 6-bolt hub
AMCO J44	Fits 644 8-bolt hub

WHEEL HUB &
BEARING KITS

Ashland

PART #	DESCRIPTION
CS-18 Kit	Fits Ashland dirt buggy hubs

Athens

PART #	DESCRIPTION
Athens #1	Fits Athens disk harrow hubs

Balzer

PART #	DESCRIPTION
Agri #25 Kit	Fits Balzer 2650 wheel bearing

Bingham

PART #	DESCRIPTION
K100-2	Fits Bingham Para-Till coulter

Brandt

PART #	DESCRIPTION
Brandt #1	Fits old style 5-bolt hub float
Brandt #2	Fits new style 6-bolt hub float

WHEEL & HUB BEARING KITS

Brillion

PART #	DESCRIPTION
2J417	Fits packer roller

Brown

PART #	DESCRIPTION
Brown #1	Fits E-Z Haul trailer hub

WHEEL HUB &
BEARING KITS

Bush Hog Rotary Mowers

PART #	DESCRIPTION
BH500-BK	Tail wheel kit for all models with #500 tail wheel

Cameco Wagon Kit

PART #	DESCRIPTION
	John Deere dump wagon wheel bearing kit

Case-IH®

PART #	DESCRIPTION
AGRI #5 Kit	Transport wheel bearing kit for 470-501 Disks. Replaces # 63881C91.
AGRI #6 Kit	Transport wheel bearing kit for IHC® Chisel Plow 5500, 5600, 5700; IH® Vibra Shank Cultivators 4500 and 4600. Fits disk harrows 596, 770, and 3900. Also fits RMX 340, RMX 370, and RMX 690 with 6-bolt hubs. Replaces #1230962A2.
AGRI #2590 Kit	Wheel Bearing Kit for 2390 and 2590 Disks.
AGRI #3950 Kit	Wheel Bearing Kit for 3950 with 8-bolt hub. Also fits RMX 340 and RMX 370 with 8-bolt hubs.
330 Turbo	Fits 330 Turbo Hill hubs
AGRI #415	Fits 415 Case® Multi Packer
B94351 Kit	Fits 4800 Case-IH® field cultivator
530 DL Kit	Fits 530 Case-IH® ripper disk leveler
RMX #1	Pivoting rocking tandem kit for RMX 340 and RMX 370. Also fits DMI Tigermate double fold walking beam.
RMX340-8	Fits RMX 340 8-bolt hub
RMX340-6	Fits RMX 340 6-bolt style

CRUSTBUSTER

PART #	DESCRIPTION
CB #1	Fits Boll Buggy

WHEEL & HUB BEARING KITS
DMI

PART #	DESCRIPTION
Tigermate 1	Fits Tigermate II DMI walking tandem for 10' and 12' single fold main and wings
Tigermate 2	Fits Tigermate II DMI wheel bearing kit
Tigermate 3	Fits Tigermate II DMI double fold walking beam. Also fits MRX 690 pivoting walking tandem.
Tigermate 4	Wheel Bearing Kit fits all DMI applications using 50-8 hub, 8-bolt
Tigermate 5	Wheel Bearing Kit for Tigermate DMI applications using Q633 hub, 4-bolt
Tigermate 6	Wheel Bearing Kit for Tigermate II and DMI using Q710 6-bolt hub
Tigermate 7	Wheel Bearing Kit for Tigermate DMI using 783 hub using CR 16289 seal, 6-bolt
DMI 530	Fits DMI 530 disk ripper wheel hub

WHEEL HUB & BEARING KITS
Electric Wheel Q Series Hubs

PART #	DESCRIPTION
AGRI #W-670	Fits Q670 hub
AGRI #W-709	Fits Q709 hub
AGRI #W-719	Fits Q719 hub
AGRI #W-783	Fits Q783 hub
AGRI #W-809	Fits Q809 hub
AGRI #W-810	Fits Q810 hub
AGRI #W-888	Fits Q888 hub

Fair Oaks

PART #	DESCRIPTION
Fair Oaks #1	Fits land lever and roller wheel bearing kit

Forrest City Do-Alls

PART #	DESCRIPTION
AGRI Do All #1	Do All using 204500 seal
AGRI Do All #1A	Do All hub using 204038 seal

Glenco

PART #	DESCRIPTION
Glencoe #1	Gauge and transport wheel hub fits cultivator models: 240, 430, 440, 630, 640, 830 and 1230; OEM hub #P1427; manufacturer's hub #Q633.
Glencoe #2	Transport wheel hub; fits PDFC model field and all SF and TF series row crop cultivators; OEM hub #P1482; manufacturer's hub #Q888.
Glencoe #3	Fits Glencoe Hub #P1474

WHEEL & HUB BEARING KITS

J&M

PART #	DESCRIPTION
JM #1	Fits J&M soil conditioner wheel hub
JM #2	Fits J&M grain cart storm tracker

Jaylor

PART #	DESCRIPTION
040-00-51	Fits 8000lb Jaylor hub
047-01-51	Fits 10,000lb Jaylor hub

WHEEL HUB &
BEARING KITS

John Blue

PART #	DESCRIPTION
JB #1	Fits 3000, 3100, 3000 ground drive/gauge wheel

John Deere®

PART #	DESCRIPTION
AGRI #1J532 Kit	Transport wheel bearing kit for models 115, 200, 210, 230, 235, 310, 335, 360, 370, 440, 445, 1630, and 1640
AGRI #1J542 Kit	Transport wheel bearing kit for models 630 disk and 960, 1000, 1010, 1050 field cultivators
AGRI #103B Kit	Wheel kit for 400, 600, 610 and 810 finishing harrow for hub GZ 900696
AGRI #AA44267	Complete bearing kit for 750 grain drill seeder hub
AGRI #7300 Kit	Wheel bearing kit for 7300 planter
RE54815	Front axle kit for JD 4040, 4240, 6200, 7200, and 7400
RE54816	Front axle kit for JD 4620, 4630, 8100, 8200, and 8300
637 Transport	637 transport wheel hub

KMC

PART #	DESCRIPTION
KMC GW Kit	Fits KMC gauge wheels

Krause

PART #	DESCRIPTION
Krause #1	Transport wheel for 3950
Krause #2	Walking tandem for 8200
Krause #3	Gauge wheel bearing kit for 8200
Krause #4	Center section for 8200

WHEEL & HUB BEARING KITS
Landoll

PART #	DESCRIPTION
AGRI #106-B	Fits cultivator disk hiller #2-406-10038; comes with sealed inner cone bearing
Landoll 8 Hole	Fits 9800 field cultivator
Landoll Hub Kit	Fits 6-bolt hub for 6230 disk
Landoll Gauge	Fits new style gauge wheel

**WHEEL HUB &
BEARING KITS**
Land Pride

PART #	DESCRIPTION
LP #1	Fits bat wing mower hub

LMS

PART #	DESCRIPTION
LMS #1	Bottom kit only for ditcher
LMS Complete	Top and bottom kit for ditcher

Marliss

PART #	DESCRIPTION
MC #1	Fits Marliss grain drill old style with fluted coulter

McFarlane

PART #	DESCRIPTION
4000-6.4	Hub kit for 4000, 6-bolt, 4000lb capacity
4000-8.6	Hub kit for 4000, 8-bolt, 6000lb capacity
4000-8.75	Hub kit for 4000, 8-bolt, 7000lb capacity
SPR-5101	Fits chopper

Midland

PART #	DESCRIPTION
Midland #1	6-bolt old style hub
Midland #2	8-bolt new style hub

Orthman

PART #	DESCRIPTION
Orthman #1	Gauge wheel bearing kit for OEM #302-204, Manufacturer's hub #Q709
Orthman OLA	Fits 780 lift assist attachment

WHEEL & HUB BEARING KITS

Reynolds Dirt Bucket

PART #	DESCRIPTION
AGRI RDB #1	Fits models LSE
AGRI RDB #1A	Fits models LSE with 46997 seal
AGRI RDB #2	Fits models 17-C

WHEEL HUB &
BEARING KITS

Roanoke

PART #	DESCRIPTION
RT #1	Roanoke trailer wheel kit

Rollocone

PART #	DESCRIPTION
RC #1	Fits blade hub
RC #2	Fits gauge wheel hub

Rome Levee Plow

PART #	DESCRIPTION
Rome #1	Bearing kit for wheel hub
Rome #1 W1CR	Bearing kit for wheel hub using wider seal

Servis Rhino

PART #	DESCRIPTION
Rhino #1 Kit	Wheel hub bearing kit for 5-bolt wheel hubs RC-15, RC-18, RC-20, RC-25, RC-100. Series 115, 118, 120, and 125.
Rhino #2 Kit	Wheel hub bearing kit for 6-bolt wheel spindle assembly. Fits models RC-100. Series 115, 118, 120, and 125.

Sunflower

PART #	DESCRIPTION
Sunflower #1	Hub kit. Fits 1232, 1233, 1234, and others using 2" I.D. seal #473463
Sunflower #1-A	Hub kit. Fits 1232, 1233, 1234, and others using 2.296" I.D. seal #204035
Sunflower #2	Fits 1232, 1233, 1234, and others for tandem
Sunflower #3	Gauge wheel kit for 1232, 1233, 1234, and others
Sunflower 8-Bolt	Fits 8-bolt hub only for 1234

WHEEL & HUB BEARING KITS
Taylor Way

PART #	DESCRIPTION
AGRI #207937	Fits 580 and 590 disk wheel hub

Tiger Mower

PART #	DESCRIPTION
6T1011H Kit	Fits Tiger, Bengal, and Cheetah
6T1011H D	Fits Tigermower Sabre

Triple K - Kongskilde

PART #	DESCRIPTION
Triple K #1	Tandem axle hub and main frame hub for field cultivators 3500 and some SBCs
Triple K #2	Wing hub kit for field cultivators 3500 and some SBCs

W&A Do-Alls

PART #	DESCRIPTION
W&A #1	For models using Q809 manufacturer's hub

Wil-Rich

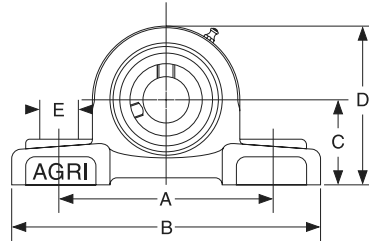
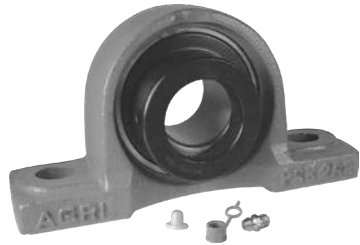
PART #	DESCRIPTION
WR #1	Fits Wil-Rich walking tandem

Yetter

PART #	DESCRIPTION
AGRI #104B	Bearing kit for coulter hub for Yetter fertilizer application. Also fits KBH and Adams.
AGRI #105B	Same as above except with seal on inner bearing. Also fits KBH and Adams.

RAK CAST IRON PILLOW BLOCKS: STANDARD DUTY: IMPORT

- Wide inner ring bearings
- Slinger seal designed mounted units with **eccentric locking collars**
- Triple lipped



MOUNTED UNITS & INSERT BEARINGS: IMPORT

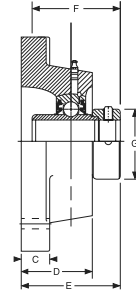
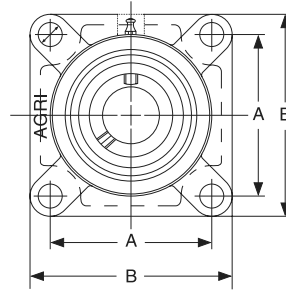
PART # & SHAFT DIAMETER	A	B	C	D	E
RAK 5/8"	3-3/4"	5"	1-3/16"	2-1/8"	3/8"
RAK 3/4"	3-3/4"	5"	1-1/4"	2-1/2"	3/8"
RAK 7/8"	4-1/8"	5-1/2"	1-5/16"	2-5/8"	3/8"
RAK 15/16"	4-1/8"	5-1/2"	1-5/16"	2-5/8"	3/8"
RAK 1"	4-1/8"	5-1/2"	1-5/16"	2-5/8"	3/8"
RAK 1-1/16"	4-3/4"	6-5/16"	1-9/16"	3-5/32"	1/2"
RAK 1-1/8"	4-3/4"	6-5/16"	1-9/16"	3-5/32"	1/2"
RAK 1-3/16"	4-3/4"	6-5/16"	1-9/16"	3-5/32"	1/2"
RAK 1-1/4"-R*	4-3/4"	6-5/16"	1-9/16"	3-5/32"	1/2"
RAK 1-1/4"	5"	6-9/16"	1-13/16"	3-11/16"	1/2"
RAK 1-5/16"	5"	6-9/16"	1-13/16"	3-11/16"	1/2"
RAK 1-3/8"	5"	6-9/16"	1-13/16"	3-11/16"	1/2"
RAK 1-7/16"	5"	6-9/16"	1-13/16"	3-11/16"	1/2"
RAK 1-1/2"	5-1/2"	7-1/8"	1-15/16"	3-27/32"	1/2"
RAK 1-9/16"	5-1/2"	7-1/8"	1-15/16"	3-27/32"	1/2"
RAK 1-5/8"	5-3/4"	7-15/32"	2-1/16"	4-3/16"	1/2"
RAK 1-11/16"	5-3/4"	7-15/32"	2-1/16"	4-3/16"	1/2"
RAK 1-3/4"	5-3/4"	7-15/32"	2-1/16"	4-3/16"	1/2"
RAK 1-7/8"	6-1/4"	8"	2-3/16"	4-3/16"	1/2"
RAK 1-15/16"	6-1/4"	8"	2-3/16"	4-7/16"	5/8"
RAK 2-2R**	6-1/4"	8"	2-3/16"	4-7/16"	5/8"
RAK 2"	7-1/8"	9-1/8"	2-7/16"	4-7/16"	5/8"
RAK 2-1/8"	7-1/8"	9-1/8"	2-7/16"	4-29/32"	5/8"
RAK 2-3/16"	7-1/8"	9-1/8"	2-7/16"	4-29/32"	5/8"
RAK 2-1/4"	7-1/2"	9-1/2"	2-3/4"	4-29/32"	5/8"
RAK 2-3/8"	7-1/2"	9-1/2"	2-3/4"	5-1/2"	5/8"
RAK 2-7/16"	7-1/2"	9-1/2"	2-3/4"	5-1/2"	5/8"
RAK 2-1/2"	8"	10-7/16"	3"	6-3/4"	3/4"
RAK 2-15/16"	9-1/2"	10-13/16"	3-1/4"	6-5/8"	3/4"
RAK 3"	9-1/2"	10-13/16"	3-1/4"	6-5/8"	3/4"

***206 OUTER**

****210 OUTER - 2" BORE**

4-BOLT CAST IRON FLANGE UNITS: STANDARD DUTY: IMPORT

- Wide inner ring bearings
- Slinger seal designed mounted units with **eccentric locking collars**



MOUNTED UNITS & INSERT BEARINGS: IMPORT

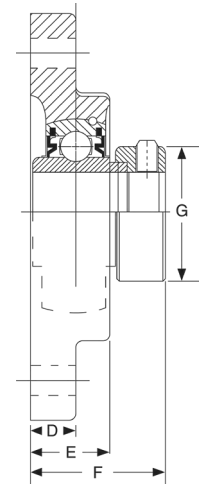
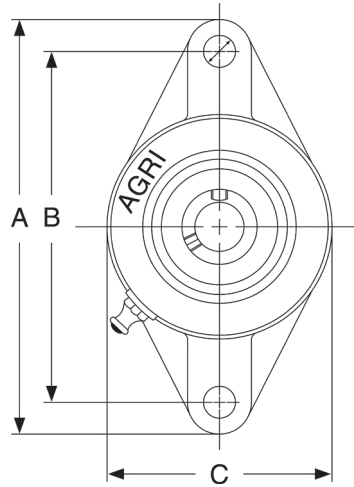
PART # & SHAFT DIAMETER	BORE SIZE	A	B	C	D	E	F	G	BOLT SIZE
RCJ 5/8"	5/8"	2-1/2"	3-3/8"	3/8"	1-5/16"	1.7953"	1.7126"	1.26"	3/8"
RCJ 3/4"	3/4"	2-1/2"	3-3/8"	3/8"	1-5/16"	1.7953"	1.7126"	1.26"	3/8"
RCJ 7/8"	7/8"	2-3/4"	3-3/4"	7/16"	1-3/8"	1.8819"	1.7441"	1.50"	3/8"
RCJ 15/16"	15/16"	2-3/4"	3-3/4"	7/16"	1-3/8"	1.8819"	1.7441"	1.50"	3/8"
RCJ 1"	1"	2-3/4"	3-3/4"	7/16"	1-3/8"	1.8819"	1.7441"	1.50"	3/8"
RCJ 1-1/8"	1-1/8"	3-1/4"	4-1/4"	5/8"	1-15/32"	2.0079"	1.9016"	1.50"	7/16"
RCJ 1-1/16"	1-1/16"	3-1/4"	4-1/4"	5/8"	1-15/32"	2.0079"	1.9016"	1.75"	7/16"
RCJ 1-3/16"	1-3/16"	3-1/4"	4-1/4"	5/8"	1-15/32"	2.0079"	1.9016"	1.75"	7/16"
RCJ 1-1/4"***	1-1/4"-R	3-1/4"	4-1/4"	5/8"	1-15/32"	2.0079"	1.9016"	1.75"	7/16"
RCJ 1-1/4"	1-1/4"	3-5/8"	4-5/8"	1/2"	1-1/2"	2.1771"	2.0118"	1.75"	7/16"
RCJ 1-5/16"	1-5/16"	3-5/8"	4-5/8"	1/2"	1-1/2"	2.1771"	2.0118"	2.19"	7/16"
RCJ 1-3/8"	1-3/8"	3-5/8"	4-5/8"	1/2"	1-1/2"	2.1772"	2.0118"	2.19"	7/16"
RCJ 1-7/16"	1-7/16"	3-5/8"	4-5/8"	1/2"	1-1/2"	2.1772"	2.0118"	2.19"	7/16"
RCJ 1-1/2"	1-1/2"	4"	5-1/8"	21/32"	1-17/32"	2.3740"	2.2165"	2.19"	1/2"
RCJ 1-9/16"	1-9/16"	4"	5-1/8"	21/32"	1-17/32"	2.3740"	2.2165"	2.37"	1/2"
RCJ 1-5/8"	1-5/8"	4-1/8"	5-3/8"	21/32"	1-9/16"	2.3740"	2.2165"	2.50"	9/16"
RCJ 1-11/16"	1-11/16"	4-1/8"	5-3/8"	21/32"	1-9/16"	2.3740"	2.2165"	2.50"	9/16"
RCJ 1-3/4"	1-3/4"	4-1/8"	5-3/8"	5/8"	1-9/16"	2.3740"	2.2165"	2.50"	9/16"
RCJ 1-7/8"	1-7/8"	4-3/8"	5-5/8"	5/8"	1-13/16"	2.6417"	2.4685"	2.75"	9/16"
RCJ 1-15/16"	1-15/16"	4-3/8"	5-5/8"	5/8"	1-13/16"	2.6417"	2.4685"	2.75"	9/16"
RCJ 1-15/16"-2***	2"	4-3/8"	5-5/8"	5/8"	1-13/16"	2.6417"	2.4685"	2.75"	9/16"
RCJ 2"	2"	5-1/8"	6-3/8"	11/16"	1-31/32"	2.9803"	2.8110"	3.00"	5/8"
RCJ 2-1/8"	2-1/8"	5-1/8"	6-3/8"	11/16"	1-31/32"	2.9803"	2.8110"	3.00"	5/8"
RCJ 2-3/16"	2-3/16"	5-1/8"	6-3/8"	11/16"	1-31/32"	2.9803"	2.8110"	3.00"	5/8"
RCJ 2-1/4"	2-1/4"	5-5/8"	6-7/8"	11/16"	2-5/32"	3.1890"	3.0630"	3.31"	5/8"
RCJ 2-3/8"	2-3/8"	5-5/8"	6-7/8"	11/16"	2-5/32"	3.1890"	3.0630"	3.31"	5/8"
RCJ 2-7/16"	2-7/16"	5-1/8"	6-3/8"	11/16"	2-5/32"	3.1890"	3.0630"	3.00"	5/8"
RCJ 2-1/2"	2-1/2"	5-7/8"	7-3/8"	7/8"	2-5/16"	3.53"	3.374"	3.39"	5/8"
RCJ 2-15/16"	2-15/16"	6"	7-7/8"	7/8"	2-9/16"	3.7638"	3.6260"	4.00"	5/8"
RCJ 3"	3"	6"	7-7/8"	7/8"	2-9/16"	3.7638"	3.6260"	4.00"	5/8"

****206 OUTER**

****210 OUTER - 2" BORE**

2-BOLT CAST IRON FLANGE: IMPORT

- Wide inner ring bearings
- Slinger seal designed mounted units with **eccentric locking collars**



MOUNTED UNITS &
INSERT BEARINGS: IMPORT

PART # & SHAFT DIAMETER	BORE SIZE	A	B	C	D	E	F	G	BOLT SIZE
RCJT 5/8"	5/8"	4-7/16"	3-17/32"	2-3/8"	7/16"	1-1/4"	1.7953"	1.26"	3/8"
RCJT 3/4"	3/4"	4-7/16"	3-17/32"	2-3/8"	7/16"	1-1/4"	1.7953"	1.26"	3/8"
RCJT 7/8"	7/8"	4-7/8"	3-57/64"	2-3/4"	17/32"	1-5/16"	1.8110"	1.50"	3/8"
RCJT 15/16"	15/16"	4-7/8"	3-57/64"	2-3/4"	17/32"	1-5/16"	1.8110"	1.50"	3/8"
RCJT 1"	1"	4-7/8"	3-57/64"	2-3/4"	17/32"	1-5/16"	1.8110"	1.50"	3/8"
RCJT 1 1/8"	1-1/8"	5-9/16"	4-19/32"	3-1/8"	17/32"	1-3/8"	2.0118"	1.75"	3/8"
RCJT 1 3/16"	1-3/16"	5-9/16"	4-19/32"	3-1/8"	17/32"	1-3/8"	2.0118"	1.75"	3/8"
RCJT 1 1/4"-R*	1-1/4"	5-9/16"	4-19/32"	3-1/8"	17/32"	1-3/8"	2.0118"	1.75"	3/8"
RCJT 1 1/4"	1-1/4"	6-1/8"	5-1/8"	3-5/8"	9/16"	1-15/32"	2.1172"	2.19"	1/2"
RCJT 1 5/16"	1-5/16"	6-1/8"	5-1/8"	3-5/8"	9/16"	1-15/32"	2.1172"	2.19"	1/2"
RCJT 1 3/8"	1-3/8"	6-1/8"	5-1/8"	3-5/8"	9/16"	1-15/32"	2.1172"	2.19"	1/2"
RCJT 1 7/16"	1-7/16"	6-1/8"	5-1/8"	3-1/8"	9/16"	1-15/32"	2.1772"	2.19"	1/2"
RCJT 1 1/2"	1-1/2"	6-3/4"	5-21/32"	4-1/8"	9/16"	1-17/32"	2.3740"	2.37"	1/2"
RCJT 1 5/8"	1-5/8"	7-7/16"	5-27/32"	4-3/8"	9/16"	1-3/4"	2.3740"	2.50"	9/16"
RCJT 1 3/4"	1-3/4"	7-7/16"	5-27/32"	4-3/8"	9/16"	1-3/4"	2.3740"	2.50"	9/16"
RCJT 1 7/8"	1-7/8"	7-7/16"	6-3/16"	4-9/16"	9/16"	1-27/32"	2.6811"	2.75"	9/16"
RCJT 1 15/16"	1-15/16"	7-7/16"	6-3/16"	4-9/16"	9/16"	1-27/32"	2.6811"	2.75"	9/16"
RCJT 2-2R***	2"	7-7/16"	6-3/16"	4-9/16"	9/16"	1-27/32"	2.6811"	2.75"	9/16"
RCJT 2"	2"	8-1/2"	7-1/4"	5-1/4"	13/16"	1-31/32"	3.0315"	3.00"	9/16"
RCJT 2 3/16"	2-3/16"	8-1/2"	7-1/4"	5-1/4"	13/16"	1-31/32"	3.0315"	3.00"	9/16"

***206 OUTER**

****210 OUTER - 2" BORE**

PILLOW BLOCK, 2-BOLT FLANGE, & 4-BOLT FLANGE: IMPORT

- **Set screw locking**
- Same bore and bolt hole centers as RAK (p.112), RCJ (p.113), and RCJT (p.114) mounted units.

Pillow Blocks



4-Bolt Flange



2-Bolt Flange



MOUNTED UNITS &
INSERT BEARINGS: IMPORT

PILLOW BLOCK BORE SIZE & PART #
UCP 5/8"
UCP 3/4"
UCP 7/8"
UCP 15/16"
UCP 1"
UCP 1-1/8"
UCP 1-3/16"
UCP 1-1/4-2*
UCP 1-1/4"
UCP 1-5/16"
UCP 1-3/8"
UCP 1-7/16"
UCP 1-1/2"
UCP 1-5/8"
UCP 1-11/16"
UCP 1-3/4"
UCP 1-7/8"
UCP 1-15/16"
UCP 1-15/16-2**
UCP 2"
UCP 2-1/8"
UCP 2-3/16"
UCP 2-1/4"
UCP 2-3/8"
UCP 2-7/16"
UCP 2-1/2"
UCP 2-3/4"
UCP 2-15/16"
UCP 3"

4-BOLT FLANGE BORE SIZE & PART #
UCF 5/8"
UCF 3/4"
UCF 7/8"
UCF 15/16"
UCF 1"
UCF 1-1/8"
UCF 1-3/16"
UCF 1-1/4-2*
UCF 1-1/4"
UCF 1-5/16"
UCF 1-3/8"
UCF 1-7/16"
UCF 1-1/2"
UCF 1-5/8"
UCF 1-11/16"
UCF 1-3/4"
UCF 1-7/8"
UCF 1-15/16"***
UCF 1-15/16-2
UCF 2"
UCF 2-1/8"
UCF 2-3/16"
UCF 2-1/4"
UCF 2-3/8"
UCF 2-7/16"
UCF 2-1/2"
UCF 2-3/4"
UCF 2-15/16"
UCF 3"

2-BOLT FLANGE BORE SIZE & PART #
UCFT 5/8"
UCFT 3/4"
UCFT 7/8"
UCFT 15/16"
UCFT 1"
UCFT 1-1/8"
UCFT 1-3/16"
UCFT 1-1/4-2**
UCFT 1-1/4"
UCFT 1-5/16"
UCFT 1-3/8"
UCFT 1-7/16"
UCFT 1-1/2"
UCFT 1-5/8"
UCFT 1-11/16"
UCFT 1-3/4"
UCFT 1-7/8"
UCFT 1-15/16"
UCFT 1-15/16-2
UCFT 2"
UCFT 2-1/8"
UCFT 2-3/16"
UCFT 2-1/4"
UCFT 2-3/8"
UCFT 2-7/16"
UCFT 2-1/2"
UCFT 2-3/4"
UCFT 2-15/16"
UCFT 3"

***206 OUTER**

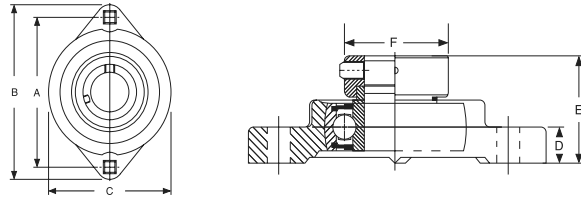
****210 OUTER - 2" BORE**

*****6-1/4" BOLT HOLE CENTER**

LIGHT DUTY DUCTILE FLANGE: IMPORT

- Mounted units with **eccentric locking collars**
- Ductile high tension strength
- Economical units with minimal space

2-Bolt Ductile Flange Unit

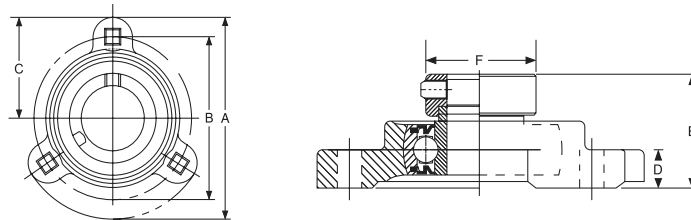


MOUNTED UNITS & INSERT BEARINGS: IMPORT

PART # & SHAFT DIAMETER	BORE SIZE	A	B	C	D	E	F	BOLT SIZE
2BF10	5/8"	2-1/2"	3-3/16"	1-15/16"	3/8"	1.2283"	1.13"	1/4"
2BF12	3/4"	2-13/16"	3-9/16"	2-1/4"	7/16"	1.3622"	1.26"	5/16"
2BF14	7/8"	3"	3-3/4"	2-1/2"	7/16"	1.3622"	1.50"	5/16"
2BF16	1"	3"	3-3/4"	2-1/2"	7/16"	1.3622"	1.50"	5/16"
2BF18	1-1/8"	3-9/16"	4-7/16"	3-3/32"	15/32"	1.5276"	1.75"	3/8"
2BF19	1-3/16"	3-9/16"	4-7/16"	3-3/32"	15/32"	1.5276"	1.75"	3/8"
2BF20-R*	1-1/4"	3-9/16"	4-7/16"	3-3/32"	15/32"	1.5276"	1.75"	3/8"
2BF20	1-1/4"	3-15/16"	4-13/16"	4-13/16"	1/2"	1.6575"	2.19"	3/8"
2BF22	1-3/8"	3-15/16"	4-13/16"	4-13/16"	1/2"	1.6575"	2.19"	3/8"
2BF23	1-7/16"	3-15/16"	4-13/16"	4-13/16"	1/2"	1.6575"	2.19"	3/8"

***206 OUTER, FOR REGREASABLE BEARINGS, ADD "G" TO PART # (EX. 2BF16G)
2-BOLT FLANGES AVAILABLE IN THICKER SIZES**

3-Bolt Ductile Flange Unit



PART # & SHAFT DIAMETER	BORE SIZE	A	B	C	D	E	F	BOLT SIZE
3BF10	5/8"	3-3/16"	2-1/2"	1-19/32"	13-32"	1.23"	1.13"	1/4"
3BF12	3/4"	3-9/16"	2-13/16"	1-25/32"	7/16"	1.36"	1.26"	5/16"
3BF14	7/8"	3-3/4"	3"	1-7/8"	1/2"	1.36"	1.50"	5/16"
3BF16	1"	3-3/4"	3"	1-7/8"	1/2"	1.36"	1.50"	5/16"
3BF18	1-1/8"	4-9/16"	3-9/16"	2-9/32"	19/32"	1.49"	1.75"	3/8"
3BF19	1-3/16"	4-9/16"	3-9/16"	2-9/32"	19/32"	1.49"	1.75"	3/8"
3BF20-R*	1-1/4"	4-9/16"	3-9/16"	2-9/32"	19/32"	1.49"	1.75"	3/8"
3BF20	1-1/4"	4-13/16"	3-15/16"	2-13/32"	19/32"	1.66"	2.19"	3/8"
3BF22	1-3/8"	4-13/16"	3-15/16"	2-13/32"	19/32"	1.66"	2.19"	3/8"
3BF23	1-7/16"	4-13/16"	3-15/16"	2-13/32"	19/32"	1.66"	2.19"	3/8"

***206 OUTER, FOR REGREASABLE BEARINGS, ADD "G" TO PART # (EX. 2BF16G)**

MEDIUM DUTY BEARINGS: IMPORT

Set screw locking.

Pillow Blocks



MOUNTED UNITS & INSERT BEARINGS: IMPORT

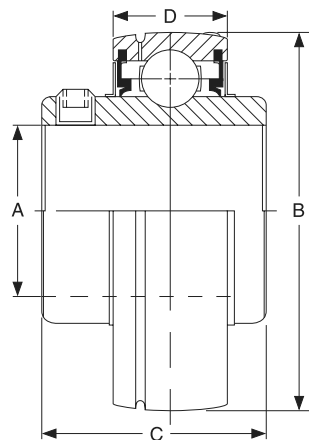
PART # & BORE	BOLT HOLE CENTER	CENTER HEIGHT	BOLT SIZE
UCPX 1"	4-11/16"	1-3/4"	1/2"
UCPX 1-1/8"	5"	1-7/8"	1/2"
UCPX 1-3/16"	5"	1-7/8"	1/2"
UCPX 1-1/4"	5-21/32"	2-1/8"	1/2"
UCPX 1-3/8"	5-21/32"	2-1/8"	1/2"
UCPX 1-7/16"	5-21/32"	2-1/8"	1/2"
UCPX 1-1/2"	6-5/32"	2-5/16"	5/8"
UCPX 1-15/16"	6-5/32"	2-1/2"	5/8"
UCPX 2-3/16"	7-1/4"	2-3/4"	3/4"
UCPX 2-7/16"	8"	3"	3/4"

4-Bolt Flanges



PART # & BORE	BOLT HOLE CENTER	CENTER HEIGHT	BOLT SIZE
UCFX 1"	3-1/4"	4-1/4"	3/8"
UCFX 1-1/8"	3-5/8"	4-19/32"	7/16"
UCFX 1-3/16"	3-5/8"	4-19/32"	7/16"
UCFX 1-1/4"	4"	5-1/8"	1/2"
UCFX 1-3/8"	4"	5-1/8"	1/2"
UCFX 1-7/16"	4"	5-1/8"	1/2"
UCFX 1-1/2"	4-1/8"	5-3/8"	1/2"
UCFX 1-15/16"	5-1/8"	6-3/8"	5/8"
UCFX 2-3/16"	5-5/8"	6-7/8"	5/8"
UCFX 2-7/16"	5-7/8"	7-3/8"	5/8"

Insert Bearings



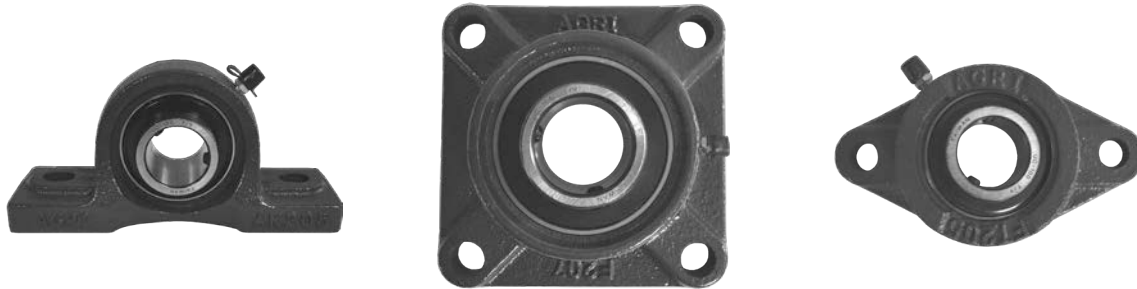
PART #	A	B	C	D
UCX-100	1"	2.4409"/62mm	1.50"	0.7087"
UCX-102	1-1/8"	2.8346"/72mm	1.689"	0.7480"
UCX-103	1-3/16"	2.8346"/72mm	1.689"	0.7480"
UCX-104	1-1/4"	3.1496"/80mm	1.937"	0.8661"
UCX-106	1-3/8"	3.1496"/80mm	1.937"	0.8661"
UCX-107	1-7/16"	3.1496"/80mm	1.937"	0.8661"
UCX-108	1-1/2"	3.3465"/85mm	1.937"	0.8661"
UCX-115	1-15/16"	3.9370"/100mm	2.1890"	0.9843"
UCX-203	2-3/16"	4.3307"/110mm	2.536"	1.063"
UCX-207	2-7/16"	4.7244"/120mm	2.536"	1.063"

OTHER SIZES AVAILABLE UPON REQUEST

HOUSING & COLLARS ONLY: IMPORT

Housings

- Pillow blocks
- 2-bolt flanges
- 4-bolt flanges



MOUNTED UNITS & INSERT BEARINGS: IMPORT

PILLOW BLOCK PART #	2-BOLT FLANGE PART #	4-BOLT FLANGE PART #	HOUSING	TO FIT BEARING SHAFT SIZE
RAK 40mm	RCJT 40mm	RCJ 40mm	203	1/2", 5/8"
RAK 47mm	RCJT 47mm	RCJ 47mm	204	3/4"
RAK 52mm	RCJT 52mm	RCJ 52mm	205	7/8", 15/16", 1"
RAK 62mm	RCJT 62mm	RCJ 62mm	206	1-1/16", 1-1/8", 1-3/16", 1-1/4" *
RAK 72mm	RCJT 72mm	RCJ 72mm	207	1-1/4", 1-3/8", 1-7/16"
RAK 80mm	RCJT 80mm	RCJ 80mm	208	1-1/2", 1-9/16"
RAK 85mm	RCJT 85mm	RCJ 85mm	209	1-5/8", 1-3/4"
RAK 90mm	RCJT 90mm	RCJ 90mm	210	1-7/8", 1-15/16", 2"***
RAK 100mm	RCJT 100mm	RCJ 100mm	211	2", 2-1/8", 2-3/16"
RAK 110mm	RCJT 110mm	RCJ 110mm	212	2-1/4", 2-3/8", 2-7/16"
RAK 120mm		RCJ 120mm	213	2-1/2", 2-9/16"
RAK 125mm		RCJ 125mm	214	2-5/8", 2-11/16", 2-3/4"
RAK 130mm		RCJ 130mm	215	2-7/8", 2-15/16", 3"

***206 OUTER**

****210 OUTER - 2" BORE**

Eccentric Locking Collars

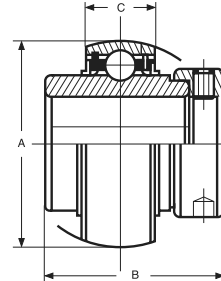
PART #	FITS BEARING SIZE	PART #	FITS BEARING SIZE	PART #	FITS BEARING SIZE
S008	1/2"	S103-2*	1-1/4"	S112	1-3/4"
S010	5/8"	S104	1-1/4"	S114	1-7/8"
S012	3/4"	S106	1-3/8"	S115	1-15/16"
S014	7/8"	S107	1-7/16"	S115-2**	2"
S015	15/16"	S108	1-1/2"	S200	2"
S100	1"	S109	1-9/16"	S203	2-3/16"
S102	1-1/8"	S110	1-5/8"	S207	2-7/16"
S103	1-3/16"	S111	1-11/16"	S208	2-1/2"

***206 OUTER**

****210 OUTER - 2" BORE**

ADAPTER BEARINGS: IMPORT

- Narrow or wide inner ring
- **Eccentric locking collar**
- Relubricatable
- Triple lipped
- Spherical O.D.
- Self-aligning



MOUNTED UNITS & INSERT BEARINGS: IMPORT

PART #	BORE SIZE	A	B	C
G1008KRRB	1/2"	1.5748"/40mm	1.47"	0.512"
G1010KRRB	5/8"	1.8504"/47mm	1.71"	0.591"
G1012KRRB	3/4"	1.8504"/47mm	1.71"	0.591"
G1014KRRB	7/8"	2.0472"/52mm	1.74"	0.591"
G1015KRRB	15/16"	2.0472"/52mm	1.74"	0.591"
G1100KRRB	1"	2.0472"/52mm	1.74"	0.591"
G1101KRRB	1-1/16"	2.4409"/62mm	1.90"	0.709"
G1102KRRB	1-1/8"	2.4409"/62mm	1.90"	0.709"
G1103KRRB	1-3/16"	2.4409"/62mm	1.90"	0.709"
G1103KRRB-2*	1-1/4"	2.4409"/62mm	1.90"	0.709"
G1104KRRB	1-1/4"	2.8346"/72mm	2.01"	0.748"
G1105KRRB	1-5/16"	2.8346"/72mm	2.01"	0.748"
G1106KRRB	1-3/8"	2.8346"/72mm	2.01"	0.748"
G1107KRRB	1-7/16"	2.8346"/72mm	2.01"	0.748"
G1108KRRB	1-1/2"	3.1496"/80mm	2.22"	0.866"
G1109KRRB	1-9/16"	3.1496"/80mm	2.22"	0.866"
G1110KRRB	1-5/8"	3.3465"/85mm	2.22"	0.866"
G1111KRRB	1-11/16"	3.3465"/85mm	2.22"	0.866"
G1112KRRB	1-3/4"	3.3465"/85mm	2.22"	0.866"
G1114KRRB	1-7/8"	3.5433"/90mm	2.47"	0.866"
G1115KRRB	1-15/16"	3.5433"/90mm	2.47"	0.866"
G1115KRRB-2**	2"	3.5433"/90mm	2.47"	0.866"
G1115KRRB-3***	1-15/16"	3.5433"/90mm	2.47"	0.866"
G1200KRRB	2"	3.9370"/100mm	2.81"	0.984"
G1202KRRB	2-1/8"	3.9370"/100mm	2.81"	0.984"
G1203KRRB	2-3/16"	3.9370"/100mm	2.81"	0.984"
G1204KRRB	2-1/4"	4.3307"/110mm	3.06"	1.0636"
G1206KRRB	2-3/8"	4.3307"/110mm	3.06"	1.063"
G1207KRRB	2-7/16"	4.3307"/110mm	3.06"	1.063"
G1208KRRB	2-1/2"	4.7244"/120mm	3.37"	1.063"
G1215KRRB	2-15/16"	5.1181"/130mm	3.63"	1.181"
G1300KRRB	3"	5.1181"/130mm	3.63"	1.181"

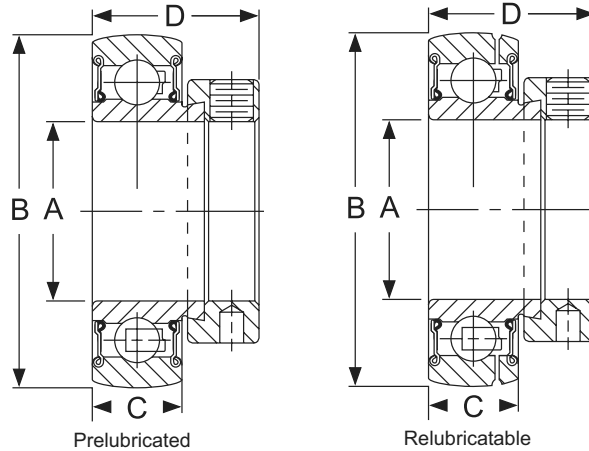
***206 OUTER**

****210 OUTER**

*****TRIPLE LIP SEAL**

ADAPTER BEARINGS: IMPORT

- Narrow inner ring
- **Eccentric locking collar**
- Prelubricatable & relubricatable
- Spherical O.D.
- Self-aligning

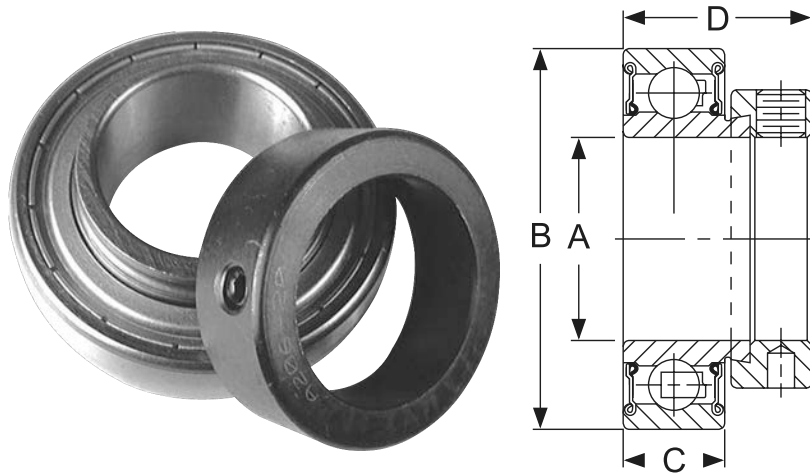


MOUNTED UNITS & INSERT BEARINGS: IMPORT

PRELUBRICATABLE		RELUBRICATABLE			
PART #	PART #	A. BORE SIZE	B. MM (IN)	C	D
RA008PPB	GRA008PPB	1/2"	40mm (1.5748")	0.5118"	1.13"
RA010PPB	GRA010PPB	5/8"	40mm (1.5748")	0.5118"	1.13"
RA012PPB	GRA012PPB	3/4"	47mm (1.8504")	0.5906"	1.22"
RA014PPB	GRA014PPB	7/8"	52mm (2.0472")	0.5906"	1.22"
RA015PPB	GRA015PPB	15/16"	52mm (2.0472")	0.5906"	1.22"
RA100PPB	GRA100PPB	1"	52mm (2.0472")	0.5906"	1.22"
RA101PPB	GRA101PPB	1-1/16"	62mm (2.4409")	0.633"	1.41"
RA102PPB	GRA102PPB	1-1/8"	62mm (2.4409")	0.633"	1.41"
RA103PPB	GRA103PPB	1-3/16"	62mm (2.4409")	0.633"	1.41"
RA103PPB-2*	GRA103PPB-2*	1-1/4"	62mm (2.4409")	0.633"	1.41"
RA104PPB	GRA104PPB	1-1/4"	72mm (2.8346")	0.7480"	1.41"
RA105PPB	G105PPBRA	1-5/16"	72mm (2.8346")	0.7480"	1.53"
RA106PPB	GRA106PPB	1-3/8"	72mm (2.8346")	0.7480"	1.53"
RA107PPB	GRA107PPB	1-7/16"	72mm (2.8346")	0.7480"	1.53"
RA108PPB	GRA108PPB	1-1/2"	80mm (3.1496")	0.8661"	1.72"
RA110PPB		1-5/8"	85mm (3.3465")	0.8661"	1.72"
RA111PPB		1-11/16"	85mm (3.3465")	0.8661"	1.72"
RA112PPB	GRA112PPB	1-3/4"	85mm (3.3465")	0.8661"	1.72"
RA114PPB		1-7/8"	90mm (3.5433")	0.8661"	1.72"
RA115PPB	GRA115PPB	1-15/16"	90mm (3.5433")	0.8661"	1.72"
RA115PPB-2**	GRA115PPB-2**	2"	90mm (3.5433")	0.8661"	1.72"
RA200PPB	GRA200PPB	2"	100mm (3.9370")	0.9843"	1.91"
*206 OUTER		**210 OUTER			

ADAPTER BEARINGS: IMPORT

- **Eccentric locking collar**
- Prelubricatable & relubricatable
- Cylindrical O.D.

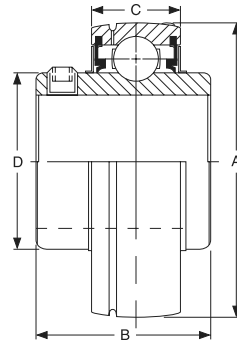


MOUNTED UNITS &
INSERT BEARINGS: IMPORT

PART #	A. BORE SIZE	B. LENGTH	C	D
RA010PP	5/8"	40mm (1.5748")	0.5118"	1.13"
RA012PP	3/4"	47mm (1.8504")	0.5906"	1.22"
RA014PP	7/8"	52mm (2.0472")	0.5906"	1.22"
RA100PP	1"	52mm (2.0472")	0.5906"	1.22"
RA101PP	1-1/16"	62mm (2.4409")	0.633"	1.41"
RA102PP	1-1/8"	62mm (2.4409")	0.633"	1.41"
RA103PP	1-3/16"	62mm (2.4409")	0.633"	1.41"
RA103PP-2*	1-1/4"	62mm (2.4409")	0.633"	1.41"
RA104PP	1-1/4"	72mm (2.8346")	0.7480"	1.53"
RA106PP	1-3/8"	72mm (2.8346")	0.7480"	1.53"
RA107PP	1-7/16"	72mm (2.8346")	0.7480"	1.53"
RA108PP	1-1/2"	80mm (3.1496")	0.8661"	1.72"
RA112PP	1-3/4"	80mm (3.1496")	0.8661"	1.72"
*206 OUTER				

ADAPTER BEARINGS: IMPORT

- Wide inner ring
- **Dual set screw locking**
- Relubricatable
- Spherical O.D.
- Self-aligning



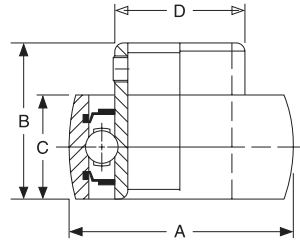
MOUNTED UNITS & INSERT BEARINGS: IMPORT

PART #	BORE SIZE	A. LENGTH	B. INNER RING	C. OUTER RING	D
UC-010	5/8"	47mm (1.8504")	1.220"	0.590"	1.130"
UC-012	3/4"	47mm (1.8504")	1.220"	0.590"	1.130"
UC-014	7/8"	52mm (2.047")	1.338"	0.590"	1.327"
UC-015	15/16"	52mm (2.047")	1.338"	0.590"	1.327"
UC-100	1"	52mm (2.047")	1.338"	0.590"	1.327"
UC-102	1-1/8"	62mm (2.440")	1.500"	0.708"	1.567"
UC-103	1-3/16"	62mm (2.440")	1.500"	0.708"	1.567"
UC-103-2*	1-1/4"	62mm (2.440")	1.500"	0.708"	1.567"
UC-104	1-1/4"	72mm (2.834")	1.689"	0.748"	1.843"
UC-105	1-5/16"	72mm (2.834")	1.689"	0.748"	1.843"
UC-106	1-3/8"	72mm (2.834")	1.689"	0.748"	1.843"
UC-107	1-7/16"	72mm (2.834")	1.689"	0.748"	1.843"
UC-108	1-1/2"	80mm (3.149")	1.937"	0.866"	2.067"
UC-110	1-5/8"	85mm (3.346")	1.937"	0.866"	2.256"
UC-111	1-11/16"	85mm (3.346")	1.937"	0.866"	2.256"
UC-112	1-3/4"	85mm (3.346")	1.937"	0.866"	2.256"
UC-114	1-7/8"	90mm (3.543")	2.031"	0.866"	2.455"
UC-115	1-15/16"	90mm (3.543")	2.031"	0.866"	2.455"
UC-115-2**	2"	90mm (3.543")	2.031"	0.866"	2.455"
UC-200	2"	100mm (3.937")	2.189"	0.984"	2.756"
UC-202	2-1/8"	100mm (3.937")	2.189"	0.984"	2.756"
UC-203	2-3/16"	100mm (3.937")	2.189"	0.984"	2.756"
UC-204	2-1/4"	110mm (4.330")	2.563"	1.063"	3.031"
UC-206	2-3/8"	110mm (4.330")	2.563"	1.063"	3.031"
UC-207	2-7/16"	110mm (4.330")	2.563"	1.063"	3.031"
UC-208	2-1/2"	120mm (4.724")	2.563"	1.063"	3.232"
UC-275	2-3/4"	125mm (4.921")	2.937"	1.141"	3.425"
UC-215	2-15/16"	130mm (5.118")	3.063"	1.181"	3.602"
UC-300	3"	130mm (5.118")	3.063"	1.181"	3.602"
*206 OUTER			**210 OUTER		

BEARING INSERTS: IMPORT

- **Set screw locking**
- Prelubricated
- Spherical O.D.
- Self-aligning

Narrow Inner Ring: Dual Set Screw Locking Type: Inch Dimension



MOUNTED UNITS &
INSERT BEARINGS: IMPORT

PART #	BORE SIZE	A	B	C	D
SB-010-RRB	5/8"	1.5748"	0.8858"	0.5118"	0.969"
SB-012-RRB	3/4"	1.8504"	0.9843"	0.5906"	1.130"
SB-014-RRB	7/8"	2.0472"	1.0630"	0.5906"	1.327"
SB-100-RRB	1"	2.0472"	1.0630"	0.5906"	1.327"
SB-102-RRB	1-1/8"	2.4409"	1.1811"	0.7087"	1.567"
SB-103-RRB	1-3/16"	2.4409"	1.1811"	0.7087"	1.567"
SB-103-RRB-2*	1-1/4"	2.4409"	1.1811"	0.7087"	1.567"
SB-104-RRB	1-1/4"	2.8346"	1.2598"	0.7480"	1.843"
SB-106-RRB	1-3/8"	2.8346"	1.2598"	0.7480"	1.843"
SB-107-RRB	1-7/16"	2.8346"	1.2598"	0.7480"	1.843"
SB-108-RRB	1-1/2"	3.1496"	1.345"	0.8661"	2.067"
*206 OUTER					

Narrow Inner Ring Insert Bearing with Locking Collar: Metric Dimension

PART #	BORE SIZE	A. OUTSIDE DIAMETER	B. TOTAL WIDTH WITH COLLAR	C. INNER RING WIDTH
RA20MMPPB	20mm	47mm	31mm	15mm
RA25MMPPB	25mm	52mm	31mm	15mm
RA30MMPPB	30mm	62mm	35.7mm	8mm
RA35MMPPB	35mm	72mm	38.9mm	19mm
RA40MMPPB	40mm	80mm	43.7mm	22mm

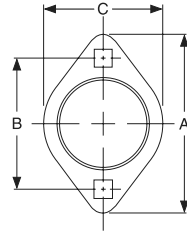
Wide Inner Ring: Dual Set Screw Locking Type: Metric Dimension

PART #	BORE SIZE	A. OUTSIDE DIAMETER	B. TOTAL WIDTH WITH COLLAR	C. INNER RING WIDTH
UC-25mm	25mm	52mm	34mm	15mm
UC-30mm	30mm	62mm	38mm	18mm
UC-35mm	35mm	72mm	42mm	19mm
UC-40mm	40mm	80mm	49.2mm	22mm
UC-45mm	45mm	85mm	49.2mm	22mm
UC-50mm	50mm	90mm	51.6mm	22mm

STAMPED STEEL ZINC-PLATED MOUNTING FLANGETTES

Sold in pairs.

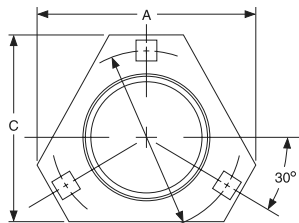
2-Bolt Hole, Self-Aligning Mounting Flanges



PART #	TO FIT SHAFT SIZE	A	B	C
40MST	1/2", 9/16", 5/8"	3-3/16"	2-1/2"	2-5/16"
47MST	3/4"	3-9/16"	2-13/16"	2-5/8"
52MST	13/16", 7/8", 15/16", 1"	3-3/4"	3"	2-51/64"
62MST	1-1/16", 1-1/8", 1-3/16", 1-1/4"	4-7/16"	3-9/16"	2-5/16"
72MST	1-1/4", 1-5/16", 1-3/8", 1-7/16"	4-15/16"	3-15/16"	3-11/16"

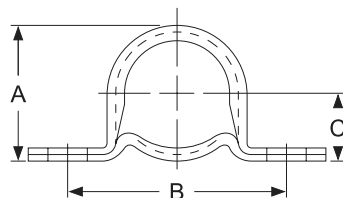
MOUNTED UNITS & INSERT BEARINGS: IMPORT

Triangular 3-Bolt Hole, Self-Aligning Mounting Flangettes



PART #	TO FIT SHAFT SIZE	A	B	C
40MSTR	1/2", 9/16", 5/8"	2-23/32"	2-1/2"	2-23/32"
47MSTR	3/4"	3-9/16"	2-13/16"	3"
52MSTR	13/16", 7/8", 15/16", 1"	3-3/4"	3"	3-5/32"
62MSTR	1-1/16", 1-1/8", 1-3/16", 1-1/4"	4-7/16"	3-9/16"	3-5/8"
72MSTR	1-1/4", 1-5/16", 1-3/8", 1-7/16"	5-1/32"	3-15/16"	4-3/16"

Stamped Steel Pillow Block Housings

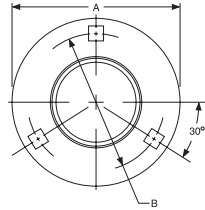


PART #	TO FIT SHAFT SIZE	A	B	C
40PB	1/2", 9/16", 5/8"	1-3/4"	2-11/16"	7/8"
47PB	3/4"	2"	3"	1"
52PB	13/16", 7/8", 15/16", 1"	2-7/32"	3-3/8"	1-1/8"
62PB	1-1/16", 1-1/8", 1-3/16", 1-1/4"	2-5/8"	3-3/4"	1-5/16"
72PB	1-1/4", 1-5/16", 1-3/8", 1-7/16"	3-1/8"	4-1/4"	1*9/16"

STAMPED STEEL ZINC-PLATED MOUNTING FLANGETTES

Sold in pairs.

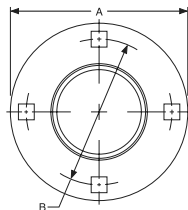
Stamped Steel Pillow Block Housings



MOUNTED UNITS & INSERT BEARINGS: IMPORT

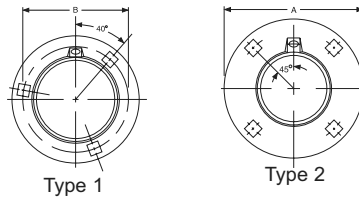
PART #	TO FIT SHAFT SIZE	A	B
40MS	1/2", 9/16", 5/8"	3-3/16"	2-1/2"
47MS	3/4"	3-9/16"	2-13/16"
52MS	13/16", 7/8", 15/16", 1"	3-3/4"	3"
62MS	1-1/16", 1-1/8", 1-3/16", 1-1/4"*	4-7/16"	3-9/16"
72MS	1-1/4", 1-5/16", 1-3/8", 1-7/16"	4-13/16"	3-15/16"

4-Bolt Hole, Round, Self-Aligning Mounting Flangettes



PART #	TO FIT SHAFT SIZE	A	B
80MS	1-1/2", 1-9/16"	5-7/8"	4-11/16"
85MS	1-5/8", 1-11/16", 1-3/4"	5-7/8"	4-3/4"
87MS	Square bore 7/8", 1", 1-1/8"	5-7/8"	4-3/4"
90MS	1-13/16", 1-7/8", 1-15/16", 2"*	6-1/2"	5"
100MS	2", 2-1/16", 2-1/8", 2-3/16"	6-3/4"	5-7/8"

Round Relube Mounting Flangettes



PART #	TO FIT SHAFT SIZE	A	B	TYPE
G52MSA	13/16", 7/8", 15/16", 1"	3-3/4"	3"	1
G62MSA	1-1/16", 1-1/8", 1-3/16", 1-1/4"	4-7/16"	3-9/16"	1
G72MSA	1-1/4", 1-5/16", 1-3/8", 1-7/16"	4-13/16"	3-15/16"	1
G80MSA	1-1/2", 1-9/16"	5-13/16"	4-11/16"	2
G85MSA	1-5/8", 1-11/16", 1-3/4"	5-7/8"	4-3/4"	2
G90MSA	1-13/16", 1-7/8", 1-15/16", 2"**	6-1/8"	5"	2
G100MSA	2", 2-1/16", 2-1/8", 2-3/16"	6-9/16"	5-7/16"	2

***206 OUTER**

****210 OUTER**

TIMKEN

Timken® RAK Pillow Block

- Eccentric locking collar
- Uses G-KRRB series bearings



PART # & BORE	BOLT HOLE CENTER	CENTER HEIGHT
RAK 5/8" AG	3-5/8"	1-1/16"
RAK 3/4" AG	3-25/32"	1-1/4"
RAK 7/8" AG	4-1/8"	1-5/16"
RAK 1" AG	4-1/8"	1-5/16"
RAK 1-1/16" AG	4-5/8"	1-9/16"
RAK 1-1/8" AG	4-5/8"	1-9/16"
RAK 1-3/16" AG	4-5/8"	1-9/16"
RAK 1-1/4" AG	5-1/8"	1-13/16"
RAK 1-5/16" AG	5-1/8"	1-13/16"
RAK 1-3/8" AG	5-1/8"	1-13/16"
RAK 1-7/16" AG	5-1/8"	1-13/16"
RAK 1-1/2" AG	5-3/8"	1-15/16"
RAK 1-5/8" AG	5-7/8"	2-1/6"
RAK 1-11/16" AG	5-7/8"	2-1/6"
RAK 1-3/4" AG	5-7/8"	2-1/6"
RAK 1-7/8" AG	6-7/32"	2-3/16"
RAK 1-15/16" AG	6-7/32"	2-3/16"
RAK 2" AG	6-15/16"	2-7/16"
RAK 2-3/16" AG	6-15/16"	2-7/16"
RAK 2-1/14" AG	7-13/32"	2-11/16"
RAK 2-3/8" AG	7-13/32"	2-11/16"
RAK 2-7/16" AG	7-13/32"	2-11/16"
RAK 2-11/16" AG	8"	3"
RAK 2-15/16" AG	9-1/2"	3-3/16"

MOUNTED UNITS: TIMKEN®

Timken® RAS Pillow Block

RAS pillow blocks are similar in design to RAK series pillow blocks but have a slightly higher base-to-center height dimension making the RAS pillow blocks interchangeable with other manufacturer's designs. Uses G-KRRB series bearings.



MOUNTED UNITS &
INSERT BEARINGS: TIMKEN

PART # & BORE	CENTER HEIGHT
RAS 5/8"	1-3/16"
RAS 3/4"	1-5/16"
RAS 7/8"	1-7/16"
RAS 1"	1-7/16"
RAS 1-1/8"	1-11/16"
RAS 1-3/16"	1-11/16"
RAS 1-1/4"	1-7/8"
RAS 1-3/8"	1-7/8"
RAS 1-7/16"	1-7/8"
RAS 1-1/2"	1-15/16"
RAS 1-5/8"	2-1/8"
RAS 1-11/16"	2-1/8"
RAS 1-3/4"	2-1/8"
RAS 1-7/8"	2-1/4"
RAS 1-15/16"	2-1/4"
RAS 2-3/16"	2-1/2"
RAS 2-1/4"	2-3/4"
RAS 2-7/16"	2-3/4"
RAS 2-15/16"	2-1/4"

MOUNTED UNITS: TIMKEN®

TIMKEN

Timken® RCJ 4-Bolt Flange

Timken® RCJT 2-Bolt Flange

- Eccentric locking collar
- Uses G-KRRB series bearings

- Eccentric locking collar
- Uses G-KRRB series bearings



MOUNTED UNITS & INSERT BEARINGS: TIMKEN

PART # & SHAFT SIZE	BOLT HOLE CENTER
RCJ 5/8" AG	2-1/8"
RCJ 3/4" AG	2-1/2"
RCJ 7/8" AG	2-3/4"
RCJ 15/16" AG	2-3/4"
RCJ 1" AG	2-3/4"
RCJ 1-1/16" AG	3-1/4"
RCJ 1-1/8" AG	3-1/4"
RCJ 1-3/16" AG	3-1/4"
RCJ 1-1/4" AG	3-5/8"
RCJ 1-3/8" AG	3-5/8"
RCJ 1-7/16" AG	3-5/8"
RCJ 1-1/2" AG	4"
RCJ 1-5/8" AG	4-1/8"
RCJ 1-11/16" AG	4-1/8"
RCJ 1-3/4" AG	4-1/8"
RCJ 1-7/8" AG	4-3/8"
RCJ 1-15/16" AG	4-3/8"
RCJ 2" AG	5-1/8"
RCJ 2-3/16" AG	5-1/8"
RCJ 2-1/4" AG	5-5/8"
RCJ 2-3/8" AG	5-5/8"
RCJ 2-7/16" AG	5-5/8"
RCJ 2-11/16" AG	5-7/8"
RCJ 2-15/16" AG	6"

PART # & SHAFT SIZE	BOLT HOLE CENTER
RCJT 5/8" AG	3"
RCJT 3/4" AG	3-17/32"
RCJT 7/8" AG	3-29/32"
RCJT 1" AG	3-29/32"
RCJT 1-1/8" AG	4-19/32"
RCJT 1-3/16" AG	4-19/32"
RCJT 1-1/4" S AG	4-19/32"
RCJT 1-1/4" AG	5-1/8"
RCJT 1-3/8" AG	5-1/8"
RCJT 1-7/16" AG	5-1/8"
RCJT 1-1/2" AG	5-21/32"
RCJT 1-5/8" AG	5-27/32"
RCJT 1-3/4" AG	5-27/32"
RCJT 1-7/8" AG	6-3/16"
RCJT 1-15/16" AG	6-3/16"
RCJT 2" AG	7-1/4"
RCJT 2-3/16" AG	7-1/4"

TIMKEN

MOUNTED UNITS: TIMKEN®

Timken® RAO Pillow Block: Heavy Duty

- Self-locking collar
- Uses GN heavy series inserts with eccentric locking collar



Timken® YAK Pillow Block: Low Base

- Set Screw Locking
- Well suited for applications with normal loads due to its full width inner ring set screw



MOUNTED UNITS &
INSERT BEARINGS: TIMKEN

PART # & BORE	BOLT HOLE CENTER	CENTER HEIGHT
RAO 1-3/16"	5-3/8"	1-7/8"
RAO 1-7/16"	6"	2-1/8"
RAO 1-1/2"	6-3/4"	2-3/8"
RAO 1-11/16"	7-1/2"	2-5/8"
RAO 1-15/16"	8-1/4"	2-13/16"
RAO 2-3/16"	9"	3-1/16"
RAO 2-7/16"	9-3/4"	3-5/16"
RAO 2-11/16"	11-1/4"	3-13/16"
RAO 2-15/16"	12"	4-1/8"

PART # & BORE	BOLT HOLE CENTER	CENTER HEIGHT
YAK 5/8" AG	3-5/8"	1-1/16"
YAK 3/4" AG	3-25/32"	1-1/4"
YAK 7/8" AG	4-1/8"	1-5/16"
YAK 1" AG	4-1/8"	1-5/16"
YAK 1-1/8" AG	4-5/8"	1-9/16"
YAK 1-3/16" AG	5-1/8"	1-9/16"
YAK 1-1/4" AG	5-1/8"	1-13/16"
YAK 1-3/8" AG	5-1/8"	1-13/16"
YAK 1-7/16" AG	5-1/8"	1-13/16"
YAK 1-1/2" AG	5-3/8"	1-15/16"
YAK 1-11/16" AG	5-7/8"	2-1/6"
YAK 1-3/4" AG	6-7/32"	2-3/16"
YAK 1-15/16" AG	6-7/32"	2-3/16"
YAK 2" AG	6-15/16"	2-7/16"
YAK 2-3/16" AG	6-15/16"	2-7/16"
YAK 2-1/4" AG	7-13/32"	2-11/16"
YAK 2-7/16" AG	7-13/32"	2-11/16"
YAK 2-11/16" AG	8"	3"
YAK 2-15/16" AG	9-1/2"	3-3/16"

MOUNTED UNITS: TIMKEN®

TIMKEN

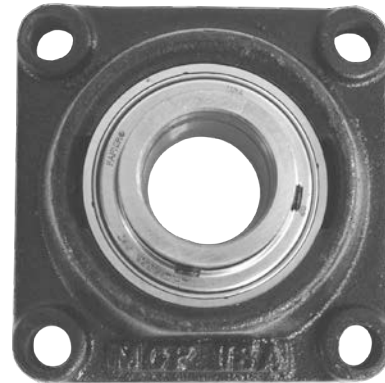
Timken® YAS Pillow Block: High Base

- Set screw locking
- Same dimensions as RAS series located on page 98.



Timken® YCJ 4-Bolt Flange

- Set screw locking
- Uses GY-KRRB Wide inner ring bearing
- Bolt hole spacing is interchangeable with RCJ series located on page 99.



MOUNTED UNITS & INSERT BEARINGS: TIMKEN

PART # & BORE	BOLT HOLE CENTER	CENTER HEIGHT
YAS 5/8" AG	3-5/8"	1-1/16"
YAS 3/4" AG	3-25/32"	1-1/4"
YAS 7/8" AG	4-1/8"	1-5/16"
YAS 1" AG	4-1/8"	1-5/16"
YAS 1-1/8" AG	4-5/8"	1-9/16"
YAS 1-3/16" AG	5-1/8"	1-9/16"
YAS 1-1/4" AG	5-1/8"	1-13/16"
YAS 1-3/8" AG	5-1/8"	1-13/16"
YAS 1-7/16" AG	5-1/8"	1-13/16"
YAS 1-1/2" AG	5-3/8"	1-15/16"
YAS 1-11/16" AG	5-7/8"	2-1/6"
YAS 1-3/4" AG	6-7/32"	2-3/16"
YAS 1-15/16" AG	6-7/32"	2-3/16"
YAS 2" AG	6-15/16"	2-7/16"
YAS 2-3/16" AG	6-15/16"	2-7/16"
YAS 2-1/4" AG	7-13/32"	2-11/16"
YAS 2-7/16" AG	7-13/32"	2-11/16"
YAS 2-15/16" AG	9-1/2"	3-5/16"

PART # & BORE SIZE	BOLT HOLE CENTER
YCJ 5/8" AG	2-1/8"
YCJ 3/4" AG	2-1/2"
YCJ 7/8" AG	2-3/4"
YCJ 15/16" AG	2-3/4"
YCJ 1" AG	2-3/4"
YCJ 1-1/8" AG	3-1/4"
YCJ 1-3/16" AG	3-1/4"
YCJ 1-1/4-S AG*	3-1/4"
YCJ 1-1/4" AG	3-5/8"
YCJ 1-3/8" AG	3-5/8"
YCJ 1-7/16" AG	3-5/8"
YCJ 1-1/2" AG	4"
YCJ 1-5/8" AG	4-1/8"
YCJ 1-11/16" AG	4-1/8"
YCJ 1-3/4" AG	4-1/8"
YCJ 1-15/16" AG	4-3/8"
YCJ 2" AG	5-1/8"
YCJ 2-3/16" AG	5-1/8"
YCJ 2-7/16" AG	5-5/8"
YCJ 2-15/16" AG	6"

***SMALL O.D.**

MOUNTED UNITS: TIMKEN®

TIMKEN

Timken® YCJT 2-Bolt Flange

- Set screw locking
- Uses GY-KRRB series bearings
- Bolt hole spacing is interchangeable with RCJT series located on page 99.



PART # & SHAFT SIZE	BOLT HOLE CENTER
YCJT 5/8" AG	3"
YCJT 3/4" AG	3-17/32
YCJT 7/8" AG	3-29/32"
YCJT 1" AG	3-29/32"
YCJT 1-1/8" AG	4-19/32"
YCJT 1-3/16" AG	4-19/32"
YCJT 1-1/4" S AG*	4-19/32"
YCJT 1-1/4" AG	5-1/8"
YCJT 1-3/8" AG	5-1/8"
YCJT 1-7/16" AG	5-1/8"
YCJT 1-1/2" AG	5-21/32"
YCJT 1-5/8" AG	5-27/32"
YCJT 1-3/4" AG	5-27/32"
YCJT 1-15/16" AG	6-3/16"
YCJT 2" AG	7-1/4"
YCJT 2-3/16" AG	7-1/4"

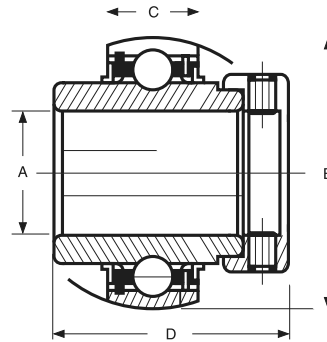
***SMALL O.D.**

MOUNTED UNITS &
INSERT BEARINGS: TIMKEN

ADAPTER BEARINGS: TIMKEN®



- Eccentric locking collar
- Wide inner ring
- Spherical
- Prelubricated & relubricatable
- Triple lip seal available in most sizes



MOUNTED UNITS & INSERT BEARINGS: TIMKEN

RELUBRICATABLE		PRELUBRICATABLE			
PART #	PART #	A	B. MM (IN)	C. MM (IN)	D
G1010KRRB AG	1010KRRB AG	5/8"	40mm (1.5478")	12mm (0.4724")	1-15/32"
G1012KRRB AG	1012KRRB AG	3/4"	47mm (1.8504")	15mm (0.5906")	1-27/32"
G1014KRRB AG	1014KRRB AG	7/8"	52mm (2.0472")	15mm (0.5906")	1-3/4"
G1015KRRB AG	1015KRRB AG	15/16"	52mm (2.0472")	15mm (0.5906")	1-3/4"
G1100KRRB AG	1100KRRB AG	1"	52mm (2.0472")	15mm (0.5906")	1-3/4"
G1101KRRB AG	1101KRRB AG	1-1/16"	52mm (2.0472")	15mm (0.5906")	1-29/32"
G1102KRRB AG	1102KRRB AG	1-1/8"	62mm (2.4409")	18mm (0.7087")	1-29/32"
G1103KRRB AG*	1103KRRB AG	1-3/16"	62mm (2.4409")	18mm (0.7087")	1-29/32"
G1103KRRB3 AG	1103KRRB3 AG	1-1/4"	62mm (2.4409")	18mm (0.7087")	1-29/32"
G1104KRRB AG	1104KRRB AG	1-1/4"	72mm (2.8346")	19mm (0.7480")	2-1/64"
G1105KRRB AG	1105KRRB AG	1-5/16"	72mm (2.8346")	19mm (0.7480")	2-1/64"
G1106KRRB AG	1106KRRB AG	1-3/8"	72mm (2.8346")	19mm (0.7480")	2-1/64"
G1107KRRB AG	1107KRRB AG	1-7/16"	72mm (2.8346")	19mm (0.7480")	2-1/64"
G1108KRRB AG	1108KRRB AG	1-1/2"	80mm (3.1496")	22mm (0.8661")	2-7/32"
G1109KRRB AG	1109KRRB AG	1-9/16"	80mm (3.1496")	22mm (0.8661")	2-7/32"
G1110KRRB AG	1110KRRB AG	1-5/8"	85mm (3.3465")	22mm (0.8661")	2-7/32"
G1111KRRB AG	1111KRRB AG	1-11/16"	85mm (3.3465")	22mm (0.8661")	2-7/32"
G1112KRRB AG	1112KRRB AG	1-3/4"	85mm (3.3465")	22mm (0.8661")	2-7/32"
G1114KRRB AG	1114KRRB AG	1-7/8"	90mm (3.5433")	23mm (0.903")	2-15/32"
G1115KRRB AG	1115KRRB AG	1-15/16"	90mm (3.5433")	23mm (0.903")	2-15/32"
G1200KRRB AG	1200KRRB AG	2"	100mm (3.9370")	25mm (0.9843")	2-13/16"
G1203KRRB AG	1203KRRB AG	2-3/16"	100mm (3.9370")	25mm (0.9843")	2-13/16"
G1203KRRB4 AG**	1203KRRB4 AG**	2-3/16"	100mm (3.9370")	24mm (0.945")	2-13/16"
G1207KRRB AG	1207KRRB AG	2-3/16"	110mm (4.3307")	27mm (1.0630")	3-1/16"
G1215KRRB AG	1215KRRB AG	2-15/16"	130mm (5.1181")	29mm (1.142")	3-5/8"

***206 OUTER**

****TRIPLE LIP SEAL**

TIMKEN

ADAPTER BEARINGS: TIMKEN®

- Eccentric locking collar
- Wide inner ring
- Cylindrical
- Flat O.D.
- Prelubricated
- Same dimensions as G-KRRB series (below)

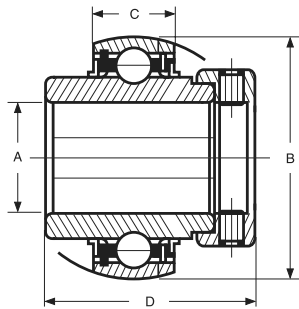
PART #	BORE SIZE	PART #	BORE SIZE
1012KRR AG	3/4"	1107KRR	1-7/16"
1014KRR AG	7/8"	1108KRR	1-1/2"
1015KRR AG	15/16"	1110KRR	1-5/8"
1100KRR AG	1"	1112KRR	1-3/4"
1102KRR AG	1-1/8"	1114KRR	1-7/8"
1103KRR AG	1-3/16"	1115KRR	1-15/16"
1103KRR3 AG*	1-1/4"	1200KRR	2"
1104KRR AG	1-1/4"	1203KRR	2-3/16"
1106KRR AG	1-3/8"	1207KRR	2-7/16"
*206 OUTER			

MOUNTED UNITS &
INSERT BEARINGS: TIMKEN

Timken® GN-KRRB Heavy Series

- Eccentric Locking Collar
- Spherical
- Relubricatable

The Heavy Series wide inner ring bearings made by Timken® will withstand continuous or shock loads — used in many cotton gin applications.

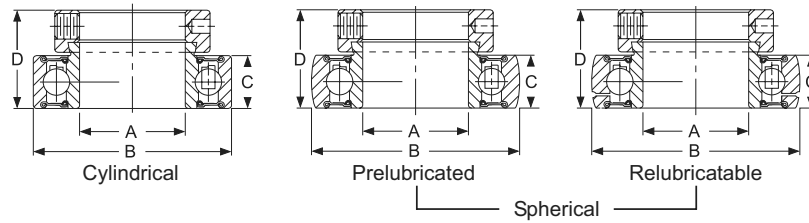


PART #	A. BORE	B. OUTSIDE DIAMETER - MM (IN)	C. OUTER RING	D. OVERALL LENGTH
GN104KRRB	1-1/4"	80mm (3.1496")	0.866"	2-1/32"
GN106KRRB	1-3/8"	80mm (3.1496")	0.866"	2-1/32"
GN107KRRB	1-7/16"	80mm (3.1496")	0.866"	2-1/32"
GN108KRRB	1-1/2"	90mm (3.5433")	0.984"	2-1/4"
GN110KRRB	1-5/8"	100mm (3.9370")	1.063"	2-5/16"
GN111KRRB	1-11/16"	100mm (3.9370")	1.063"	2-5/16"
GN112KRRB	1-3/4"	100mm (3.9370")	1.063"	2-5/16"
GN115KRRB	1-15/16"	110mm (4.3307")	1.142"	2-5/8"
GN200KRRB	2"	120mm (4.7244")	1.205"	2-7/8"
GN203KRRB	2-3/16"	120mm (4.7244")	1.220"	2-7/8"
GN207KRRB	2-7/16"	130mm (5.1181")	1.299"	3-1/4"
GN215KRRB	2-15/16"	160mm (6.2992")	1.535"	3-15/16"

ADAPTER BEARINGS: TIMKEN®



- Eccentric locking collar
- Narrow inner ring
- Spherical & cylindrical
- Prelubricated & relubricatable



Spherical or Round

PRELUBRICATABLE		RELUBRICATABLE			
PART #	PART #	A. BORE	B. IN (MM)	C	D
RA008-RRBAG	GRA008-RRB AG	1/2"	1.5748" (40mm)	0.512"	1-1/8"
RA010-RRBAG	GRA010-RRBAG	5/8"	1.5748" (40mm)	0.512"	1-1/8"
RA012-RRBAG	GRA012-RRBAG	3/4"	1.8504" (47mm)	0.591"	1-7/32"
RA014-RRBAG	GRA014-RRBAG	7/8"	2.0472" (52mm)	0.591"	1-7/32"
RA015-RRBAG	GRA015-RRBAG	15/16"	2.0472" (52mm)	0.591"	1-7/32"
RA100-RRBAG	GRA100-RRBAG	1"	2.0472" (52mm)	0.591"	1-7/32"
RA101-RRBAG		1-1/16"	2.4409" (62mm)	0.709"	1-13/32"
RA102-RRBAG	GRA102-RRBAG	1-1/8"	2.4409" (62mm)	0.709"	1-13/32"
RA103-RRBAG	GRA103-RRBAG	1-3/16"	2.4409" (62mm)	0.709"	1-13/32"
RA103-RRB2AG*	GRA103-RRB2AG*	1-1/4"	2.4409" (62mm)	0.709"	1-13/32"
RA104-RRBAG	GRA104-RRBAG	1-1/4"	2.8346" (72mm)	0.748"	1-17/32"
RA106-RRBAG	GRA106-RRBAG	1-3/8"	2.8346" (72mm)	0.748"	1-17/32"
RA107-RRBAG	GRA107-RRBAG	1-7/16"	2.8346" (72mm)	0.748"	1-17/32"
RA108-RRBAG	GRA108-RRBAG	1-1/2"	3.1496" (80mm)	0.866"	1-23/32"
RA110-RRBAG		1-5/8"	3.3465" (85mm)	0.866"	1-23/32"
RA111-RRBAG	GRA111-RRBAG	1-11/16"	3.3465" (85mm)	0.866"	1-23/32"
RA112-RRBAG	GRA112-RRBAG	1-3/4"	3.3465" (85mm)	0.866"	1-23/32"
RA115-RRBAG	GRA115-RRBAG	1-15/16"	3.5433" (90mm)	0.866"	1-23/32"
RA115-RRB2AG**	GRA115-RRB2AG**	2"	3.5433" (90mm)	0.866"	1-23/32"
RA200-RRBAG	GRA200-RRBAG	2"	3.937" (100mm)	0.945"	1-29/32"
RA203-RRBAG	GRA203-RRBAG	2-3/16"	3.937" (100mm)	0.945"	1-29/32"

Cylindrical or Flat: Prelubricated

PART #	A. BORE	B. IN (MM)	C	D
RA008RRAG	1/2"	1.5748" (40mm)	0.512"	1-1/8"
RA010RRAG	5/8"	1.5748" (40mm)	0.512"	1-1/8"
RA012RRAG	3/4"	1.8504" (47mm)	0.591"	1-7/32"
RA014RRAG	7/8"	2.0472" (52mm)	0.591"	1-7/32"
RA015RRAG	7/8"	2.0472" (52mm)	0.591"	1-7/32"
RA100RRAG	1"	2.0472" (52mm)	0.591"	1-7/32"
RA102RRAG	1-1/8"	2.4409" (62mm)	0.709"	1-13/32"
RA103RRAG	1-3/16"	2.4409" (62mm)	0.709"	1-13/32"
RA103-RR2AG*	1-1/4"	2.4409" (62mm)	0.709"	1-13/32"
RA104RRAG	1-1/4"	2.8346" (72mm)	0.748"	1-17/32"
RA106RRAG	1-3/8"	2.8346" (72mm)	0.748"	1-17/32"
RA107RRAG	1-7/16"	2.8346" (72mm)	0.748"	1-17/32"
RA108RRAG	1-1/2"	3.1496" (80mm)	0.866"	1-23/32"

***206 OUTER**

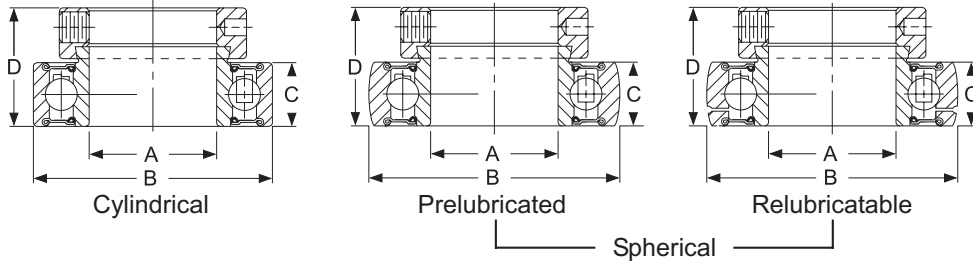
****210 OUTER**

MOUNTED UNITS & INSERT BEARINGS: TIMKEN

TIMKEN

ADAPTER BEARINGS: METRIC: TIMKEN®

- Eccentric locking collar
- Narrow inner ring
- Spherical & cylindrical
- Prelubricated & relubricatable



MOUNTED UNITS & INSERT BEARINGS: TIMKEN

Spherical or Beveled

PRELUBRICATABLE		RELUBRICATABLE			
PART #	PART #	A. BORE	B. IN (MM)	C	D
RAE2ORRB	GRAE2ORRB	20mm	1.8504" (47mm)	0.591"	1-7/32"
RAE25RRB	GRAE25RRB	25mm	2.0472" (52mm)	0.591"	1-7/32"
RAE3ORRB	GRAE3ORRB	30mm	2.4409" (62mm)	0.709"	1-13/32"
RAE35RRB	GRAE35RRB	35mm	2.8346" (72mm)	0.748"	1-17/32"
RAE4ORRB	GRAE4ORRB	40mm	3.1496" (80mm)	0.866"	1-23/32"
RAE45RRB	GRAE45RRB	45mm	3.3465" (85mm)	0.866"	1-23/32"

Cylindrical or Flat: Prelubricated

PART #	A. BORE	B. IN (MM)	C	D
RAE2ORR	20mm	1.8504" (47mm)	0.591"	1-7/32"
RAE25RR	25mm	2.0472" (52mm)	0.591"	1-7/32"
RAE3ORR	30mm	2.4409" (62mm)	0.709"	1-13/32"
RAE45RR	45mm	3.3465" (85mm)	0.866"	1-23/32"

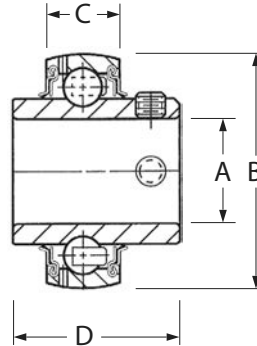
206 OUTER** *210 OUTER**

ADAPTER BEARINGS: TIMKEN®

TIMKEN

- Set screw locking
- Relubricatable
- Wide inner ring
- Spherical O.D.

GY-KRRB Series



MOUNTED UNITS & INSERT BEARINGS: TIMKEN

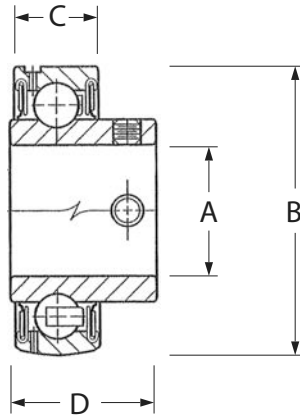
PART #	A. BORE	B. O.D. WIDTH	C. OUTER RING WIDTH	D. LENGTH THROUGH BORE
GY1010KRRB AG	5/8"	1.5748	.472	1.078
GY1012KRRB AG	3/4"	1.8504	.55	1.219
GY1014KRRB AG	7/8"	2.0472	.591	1.343
GY1100KRRB AG	1"	2.0472	.591	1.343
GYE25KRRB AG	25mm	2.0472	.591	1.343
GY1102KRRB AG	1-1/8"	2.4409	.709	1.500
GY1103KRRB AG	1-3/16"	2.4409	.709	1.500
GY1103KRRB3 AG	1-1/4"	2.4409	.709	1.500
GYE30KRRB AG	30mm	2.4409	.709	1.500
GY1104KRRB AG	1-1/4"	2.8346	.748	1.688
GY1106KRRB AG	1-3/8"	2.8346	.748	1.688
GY1107KRRB AG	1-7/16"	2.8346	.748	1.688
GYE35KRRB AG	35mm	2.8346	.748	1.688
GY1108KRRB AG	1-1/2"	3.1496	.827	1.938
GYE40KRRB AG	40mm	3.1496	.827	1.938
GY1110KRRB AG	1-5/8"	3.3465	.866	1.938
GY1111KRRB AG	1-11/16"	3.3465	.866	1.938
GY1112KRRB AG	1-3/4"	3.3465	.866	1.938
GYE45KRRB AG	45mm	3.3465	.866	1.938
GY1114KRRB AG	1-7/8"	3.5433	.866	2.031
GY1115KRRB AG	1-15/16"	3.5433	.866	2.031
GY1115KRRB3 AG	2"	3.5433	.866	2.031
GY1200KRRB AG	2"	3.9370	.945	2.187
GY1203KRRB AG	2-3/16"	3.9370	.945	2.187
GY1204KRRB AG	2-1/4"	4.3307	1.063	2.562
GY1206KRRB AG	2-3/8"	4.3307	1.063	2.562
GY1207KRRB AG	2-7/16"	4.3307	1.063	2.562
GY1211KRRB AG	2-11/16"	4.9213	1.142	2.750
GY1215KRRB AG	2-15/16"	5.1181	1.142	3.063

TIMKEN

BEARING INSERTS: TIMKEN®

- Set screw locking
- Relubricatable
- Narrow inner ring
- Spherical O.D.

GYA-RRB Series



MOUNTED UNITS &
INSERT BEARINGS: TIMKEN

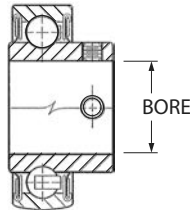
PART #	A. BORE	B. O.D. WIDTH	C. OUTER RING WIDTH	D. OVERALL HEIGHT
GYA008RRB AG	1/2"	1.5748	.472	.938
GYA010RRB AG	5/8"	1.5748	.472	.938
GYA012RRB AG	3/4"	1.8504	.551	1.063
GYA015RRB AG	15/16"	2.0472	.591	1.109
GYA100RRB AG	1"	2.0472	.591	1.109
GYAE25RRB AG	25mm	2.0472	.591	1.109
GYA102RRB AG	1-1/8"	2.4409	.709	1.281
GYA103RRB AG	1-3/16"	2.4409	.709	1.281
GYA103RRB2 AG	1-1/4"	2.4409	.709	1.281
GYAE30RRB AG	30mm	2.4409	.709	1.281
GYA104RRB AG	1-1/4"	2.8346	.748	1.444
GYA106RRB AG	1-3/8"	2.8346	.748	1.444
GYA107RRB AG	1-7/16"	2.8346	.748	1.444
GYAE35RRB AG	35mm	2.8346	.748	1.444
GYA108RRB AG	1-1/2"	3.1496	.866	1.538
GYAE40RRB AG	40mm	3.1496	.866	1.538
GYA110RRB AG	1-5/8"	3.3465	.866	1.655
GYA111RRB AG	1-11/16"	3.3465	.866	1.655
GYA112RRB AG	1-3/4"	3.3465	.866	1.655
GYAE45RRB AG	45mm	3.3465	.866	1.655
GYA115RRB AG	1-15/16"	3.5433	.866	1.746
GYA115RRB2 AG	2"	3.5433	.866	1.746
GYA200RRB AG	2"	3.3970	.9449	1.833
GYA203RRB AG	2-3/16"	3.3970	.9449	1.833

TIMKEN

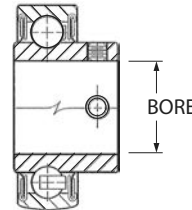
BEARING INSERTS: TIMKEN®

- Set screw locking
- Narrow inner ring
- Same dimensions as GYA-RRB series
- Prelubricated
- Non-relubricatable

YA-RR Series: Spherical O.D.



YA-RRB Series: Cylindrical O.D.



MOUNTED UNITS & INSERT BEARINGS: TIMKEN

PART #	BORE
YA01ORRB	5/8"
YA012RRB	3/4"
YA014RRB	7/8"
YA10ORRB	1"
YA103RRB	1-3/16"
YA107RRB	1-7/16"

PART #	BORE
YA008RR	1/2"
YA010RR	5/8"
YA014RR	7/8"
YA100RR	1"
YA103RR	1-3/16"
YA103RR-2	1-1/4"
YA108RR	1-1/2"

HOUSING & COLLARS ONLY

Housings

- 2-bolt flanges
- 4-bolt flanges
- Pillow blocks



PILLOW BLOCK PART #	2-BOLT FLANGE PART #	4-BOLT FLANGE PART #	HOUSING	TO FIT BEARING SHAFT SIZE
RAK 40mm USA	RCJT 40mm USA	RCJ 40mm USA	203	1/2", 5/8"
RAK 47mm USA	RCJT 47mm USA	RCJ 47mm USA	204	3/4"
RAK 52mm USA	RCJT 52mm USA	RCJ 52mm USA	205	7/8", 15/16", 1"
RAK 62mm USA	RCJT 62mm USA	RCJ 62mm USA	206	1-1/16", 1-1/8", 1-3/16", 1-1/4" *
RAK 72mm USA	RCJT 72mm USA	RCJ 72mm USA	207	1-1/4", 1-3/8", 1-7/16"
RAK 80mm USA	RCJT 80mm USA	RCJ 80mm USA	208	1-1/2", 1-9/16"
RAK 85mm USA	RCJT 85mm USA	RCJ 85mm USA	209	1-5/8", 1-3/4"
RAK 90mm USA	RCJT 90mm USA	RCJ 90mm USA	210	1-7/8", 1-15/16", 2"***
RAK 100mm USA	RCJT 100mm USA	RCJ 100mm USA	211	2", 2-1/8", 2-3/16"
RAK 110mm USA	RCJT 110mm USA	RCJ 110mm USA	212	2-1/4", 2-3/8", 2-7/16"

***206 OUTER**

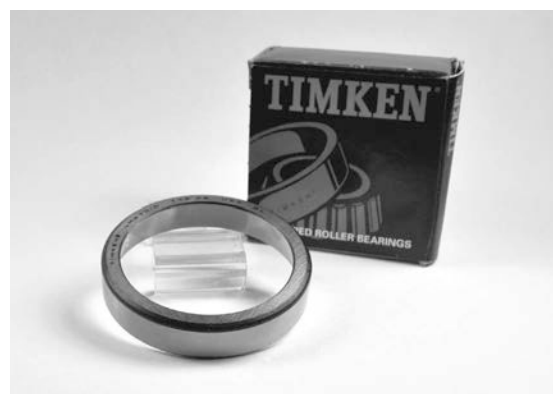
****210 OUTER - 2" BORE**

TIMKEN

TIMKEN® TAPERED ROLLER BEARINGS



Timken® Bearing (Cone)



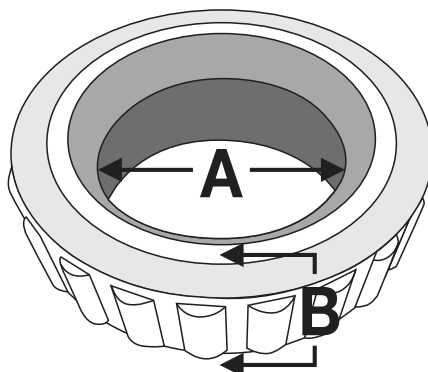
Timken® Race (Cup)

TAPERED ROLLER BEARINGS



Timken® Set: Bearing (Cone) and Race (Cup)

TIMKEN® TAPERED ROLLER BEARING DIMENSIONS



A BORE

B WIDTH

TIMKEN® TAPERED ROLLER BEARINGS: INCH DIMENSION
TIMKEN

BORE SIZE	LENGTH THROUGH BORE	PART #
.580" Bore Bearing	.4326" Wide — .03 //	A4059 TIMKEN
.625" Bore Bearing	.6563" Wide — .06 //	17580 TIMKEN
.625" Bore Bearing	.848" Wide — .03 //	09062 TIMKEN
.625" Bore Bearing	.5625" Wide — .06 //	11590 TIMKEN
.635" Bore Bearing	.500" Wide — .03 //	T63 TIMKEN
.6875" Bore Bearing	.575" Wide — .05 //	LM11749 TIMKEN
.748" Bore Bearing	.8792" Wide — Spcl //	09076 TIMKEN
.750" Bore Bearing	.4391" Wide — .04 //	A6075 TIMKEN
.750" Bore Bearing	.5662" Wide — .05 //	05075 TIMKEN
.750" Bore Bearing	.655" Wide — .015 //	LM11900LA TIMKEN
.750" Bore Bearing	.655" Wide — .05 //	LM11949 TIMKEN
.750" Bore Bearing	.750" Wide — .05 //	09067 TIMKEN
.750" Bore Bearing	.848" Wide — .05 //	09078 TIMKEN
.750" Bore Bearing	.848" Wide — Spcl //	09074 TIMKEN
.7869" Bore Bearing	.5662" Wide — .06 //	05079 TIMKEN
.812" Bore Bearing	.848" Wide — .06 //	09081 TIMKEN
.8125" Bore Bearing	.476" Wide — .05 //	4CB TIMKEN
.8125" Bore Bearing	.7813" Wide — .06 //	12580 TIMKEN
.8437" Bore Bearing	.720" Wide — .05 //	M12600LA TIMKEN
.8437" Bore Bearing	.720" Wide — .05 //	M12649 TIMKEN
.8656" Bore Bearing	.655" Wide — .05 //	LM12749 TIMKEN
.875" Bore Bearing	.5614" Wide — .05 //	07087 TIMKEN
.875" Bore Bearing	.720" Wide — .05 //	M12648 TIMKEN
.875" Bore Bearing	.781" Wide — .05 //	1755 TIMKEN
.875" Bore Bearing	.794" Wide — .06 //	1380 TIMKEN
.875" Bore Bearing	.889" Wide — .03 //	15385 TIMKEN
.890" Bore Bearing	.6102" Wide — .06 //	LM72849 TIMKEN
.9375" Bore Bearing	.5614" Wide — .06 //	07093 TIMKEN
.9375" Bore Bearing	.580" Wide — .06 //	L44640 TIMKEN
.9375" Bore Bearing	.781" Wide — .03 //	1779 TIMKEN
.9835" Bore Bearing	.5614" Wide — .06 //	07098 TIMKEN
.9835" Bore Bearing	.6522" Wide — .06 //	17098 TIMKEN
.9843" Bore Bearing	.5614" Wide — .06 //	07097 TIMKEN
1-1/2" Sq. Bore Bearing	3.000" Wide — .03 //	385SD TIMKEN

TAPERED ROLLER BEARINGS
FOR MORE COMPREHENSIVE DIMENSIONS, PLEASE CALL YOUR SALES REP

TIMKEN

TIMKEN® TAPERED ROLLER BEARINGS: INCH DIMENSION

BORE SIZE	LENGTH THROUGH BORE	PART #
1-1/4" Sq. Bore Bearing	2.875" Wide — .000 //	LM501334SD TIMKEN
1-1/8" Sq. Bore Bearing	2.875" Wide — .01 //	13678SD TIMKEN
1.00" Bore Bearing	.781" Wide — .03 //	1780 TIMKEN
1.000" Bore Bearing	.5614" Wide — .04 //	07000LA TIMKEN
1.000" Bore Bearing	.5614" Wide — .04 //	07100 TIMKEN
1.000" Bore Bearing	.580" Wide — .05 //	L44600LA TIMKEN
1.000" Bore Bearing	.580" Wide — .05 //	L44600LB TIMKEN
1.000" Bore Bearing	.580" Wide — .05 //	L44643 TIMKEN
1.000" Bore Bearing	.6875" Wide — .05 //	15578 TIMKEN
1.000" Bore Bearing	.762" Wide — .05 //	1986 TIMKEN
1.000" Bore Bearing	.765" Wide — .06 //	M84548 TIMKEN
1.000" Bore Bearing	.8125" Wide — .03 //	15101 TIMKEN
1.000" Bore Bearing	.8125" Wide — .06 //	15102 TIMKEN
1.000" Bore Bearing	.8125" Wide — .14 //	15100 TIMKEN
1.000" Bore Bearing	1.0013" Wide — .05 //	2687 TIMKEN
1.0231" Bore Bearing	.580" Wide — .14 //	L44645 TIMKEN
1.0298" Bore Bearing	.8125" Wide — .03 //	15103 TIMKEN
1.030" Bore Bearing	.785" Wide — .03 //	15103S TIMKEN
1.062" Bore Bearing	.762" Wide — .03 //	1987 TIMKEN
1.0625" Bore Bearing	.580" Wide — .14 //	L44649 TIMKEN
1.0625" Bore Bearing	.6875" Wide — .14 //	15580 TIMKEN
1.0625" Bore Bearing	.8125" Wide — .03 //	15106 TIMKEN
1.125" Bore Bearing	.6875" Wide — .14 //	15590 TIMKEN
1.125" Bore Bearing	.762" Wide — .03 //	1985 TIMKEN
1.125" Bore Bearing	.8125" Wide — .03 //	15113 TIMKEN
1.125" Bore Bearing	.8125" Wide — .14 //	15112 TIMKEN
1.125" Bore Bearing	.875" Wide — .03 //	02474 TIMKEN
1.125" Bore Bearing	.875" Wide — .03 //	02872 TIMKEN
1.125" Bore Bearing	.9375" Wide — .03 //	2474 TIMKEN
1.125" Bore Bearing	.955" Wide — .19 //	41125 TIMKEN
1.125" Bore Bearing	.9983" Wide — .09 //	2578 TIMKEN
1.125" Bore Bearing	1.0013" Wide — .05 //	2689 TIMKEN
1.1417" Bore Bearing	.580" Wide — .14 //	L45449 TIMKEN
1.1562" Bore Bearing	1.0013" Wide — .03 //	2691 TIMKEN

TAPERED ROLLER
BEARINGS

FOR MORE COMPREHENSIVE DIMENSIONS, PLEASE CALL YOUR SALES REP

TIMKEN® TAPERED ROLLER BEARINGS: INCH DIMENSION
TIMKEN
TAPERED ROLLER BEARINGS

BORE SIZE	LENGTH THROUGH BORE	PART #
1.1562" Bore Bearing	1.0013" Wide — .14 //	2690 TIMKEN
1.1806" Bore Bearing	.6522" Wide — .06 //	17118 TIMKEN
1.1806" Bore Bearing	.8125" Wide — .05 //	15117 TIMKEN
1.1811" Bore Bearing	.756" Wide — .03 //	14118 TIMKEN
1.1811" Bore Bearing	.756" Wide — .14 //	14117A TIMKEN
1.1855" Bore Bearing	.8125" Wide — .03 //	15116 TIMKEN
1.1875" Bore Bearing	.8438" Wide — 06 //	M86649 TIMKEN
1.1875" Bore Bearing	.9983" Wide — .09 //	2558 TIMKEN
1.1895" Bore Bearing	.8125" Wide — .03 //	15120 TIMKEN
1.1895" Bore Bearing	.8125" Wide — .06 //	15118 TIMKEN
1.1895" Bore Bearing	.8125" Wide — .06 //	15119 TIMKEN
1.190" Bore Bearing	.771" Wide — .03 //	14116 TIMKEN
1.190" Bore Bearing	.771" Wide — .03 //	14119A TIMKEN
1.190" Bore Bearing	1.052" Wide — .17 //	14120 TIMKEN
1.2187" Bore Bearing	.8438" Wide — .06 //	M86648A TIMKEN
1.250" Bore Bearing	.5937" Wide — .04 //	08125 TIMKEN
1.250" Bore Bearing	.660" Wide — .015 //	LM67000LA TIMKEN
1.250" Bore Bearing	.660" Wide — .015 //	LM67048 TIMKEN
1.250" Bore Bearing	.660" Wide — .03 //	LM67049A TIMKEN
1.250" Bore Bearing	.7283" Wide — .08 //	LM67045 TIMKEN
1.250" Bore Bearing	.750" Wide — Spcl. //	15123 TIMKEN
1.250" Bore Bearing	.771" Wide — .03 //	14124 TIMKEN
1.250" Bore Bearing	.771" Wide — .14 //	14125A TIMKEN
1.250" Bore Bearing	.8125" Wide — .03 //	15126 TIMKEN
1.250" Bore Bearing	.8125" Wide — .14 //	15125 TIMKEN
1.250" Bore Bearing	.875" Wide — .03 //	02476 TIMKEN
1.250" Bore Bearing	.875" Wide — .03 //	02876 TIMKEN
1.250" Bore Bearing	.875" Wide — .06 //	M88046 TIMKEN
1.250" Bore Bearing	.875" Wide — .14 //	02475 TIMKEN
1.250" Bore Bearing	.875" Wide — .14 //	02875 TIMKEN
1.250" Bore Bearing	.9375" Wide — .03 //	2879 TIMKEN
1.250" Bore Bearing	.9478" Wide — .06 //	43125 TIMKEN
1.250" Bore Bearing	.9983" Wide — .03 //	2580 TIMKEN
1.250" Bore Bearing	.9983" Wide — .14 //	2582 TIMKEN

FOR MORE COMPREHENSIVE DIMENSIONS, PLEASE CALL YOUR SALES REP

TIMKEN

TIMKEN® TAPERED ROLLER BEARINGS: INCH DIMENSION

BORE SIZE	LENGTH THROUGH BORE	PART #
1.250" Bore Bearing	1.052" Wide — .17 //	14123A TIMKEN
1.250" Bore Bearing	1.0938" Wide — .05 //	HM88542 TIMKEN
1.250" Bore Bearing	1.125" Wide — .03 //	HM89440 TIMKEN
1.250" Bore Bearing	1.181" Wide — .03 //	3188 TIMKEN
1.260" Bore Bearing	.625" Wide — .03 //	T126 TIMKEN
1.312" Bore Bearing	.9478" Wide — .14 //	43131 TIMKEN
1.3125" Bore Bearing	.771" Wide — .03 //	14131 TIMKEN
1.3125" Bore Bearing	.771" Wide — .14 //	14130 TIMKEN
1.3125" Bore Bearing	.875" Wide — .03 //	M88048 TIMKEN
1.3125" Bore Bearing	.9983" Wide — .14 //	2585 TIMKEN
1.3125" Bore Bearing	1.010" Wide — .06 //	2790 TIMKEN
1.3125" Bore Bearing	1.010" Wide — .14 //	2785 TIMKEN
1.3125" Bore Bearing	1.125" Wide — .03 //	HM89443 TIMKEN
1.375" Bore Bearing	.720" Wide — .015 //	LM48500LA TIMKEN
1.375" Bore Bearing	.720" Wide — .015 //	LM48548 TIMKEN
1.375" Bore Bearing	.771" Wide — .06 //	14137A TIMKEN
1.375" Bore Bearing	.771" Wide — .14 //	14138A TIMKEN
1.375" Bore Bearing	.8125" Wide — .14 //	16137 TIMKEN
1.375" Bore Bearing	.875" Wide — .03 //	02878 TIMKEN
1.375" Bore Bearing	.933" Wide — .03 //	27875 TIMKEN
1.375" Bore Bearing	.9375" Wide — .03 //	2878 TIMKEN
1.375" Bore Bearing	.9688" Wide — .06 //	25877 TIMKEN
1.375" Bore Bearing	.9688" Wide — .14 //	25878 TIMKEN
1.375" Bore Bearing	1.000" Wide — .09 //	HM88649 TIMKEN
1.375" Bore Bearing	1.010" Wide — .03 //	2793 TIMKEN
1.375" Bore Bearing	1.010" Wide — .14 //	2796 TIMKEN
1.375" Bore Bearing	1.010" Wide — .20 //	2786 TIMKEN
1.375" Bore Bearing	1.052" Wide — .03 //	14136A TIMKEN
1.375" Bore Bearing	1.052" Wide — .03 //	14136AA TIMKEN
1.375" Bore Bearing	1.125" Wide — .06 //	31594 TIMKEN
1.375" Bore Bearing	1.125" Wide — .14 //	31593 TIMKEN
1.375" Bore Bearing	1.125" Wide — .14 //	HM89446 TIMKEN
1.375" Bore Bearing	1.145" Wide — .03 //	417 TIMKEN
1.375" Bore Bearing	1.1875" Wide — .14 //	3872 TIMKEN

TAPERED ROLLER
BEARINGS

FOR MORE COMPREHENSIVE DIMENSIONS, PLEASE CALL YOUR SALES REP

TIMKEN® TAPERED ROLLER BEARINGS: INCH DIMENSION
TIMKEN
TAPERED ROLLER BEARINGS

BORE SIZE	LENGTH THROUGH BORE	PART #
1.375" Bore Bearing	1.1965" Wide — .14 //	3379 TIMKEN
1.377" Bore Bearing	.6504" Wide — .06 //	19138 TIMKEN
1.3775" Bore Bearing	.660" Wide — Spcl //	L68149 TIMKEN
1.378" Bore Bearing	.882" Wide — .03 //	339 TIMKEN
1.4062" Bore Bearing	1.000" Wide — .14 //	HM88648 TIMKEN
1.4365" Bore Bearing	.9688" Wide — .06 //	25880 TIMKEN
1.4365" Bore Bearing	1.010" Wide — .06 //	2780 TIMKEN
1.4365" Bore Bearing	1.010" Wide — .14 //	2794 TIMKEN
1.4375" Bore Bearing	.750" Wide — .14 //	13682 TIMKEN
1.4375" Bore Bearing	.8125" Wide — .14 //	16143 TIMKEN
1.4375" Bore Bearing	1.000" Wide — .14 //	25570 TIMKEN
1.4375" Bore Bearing	1.125" Wide — .14 //	HM89449 TIMKEN
1.4375" Bore Bearing	1.135" Wide — .14 //	HM89249 TIMKEN
1.4375" Bore Bearing	1.1721" Wide — .03 //	3479 TIMKEN
1.4961" Bore Bearing	.6693" Wide — Spcl.//	JL69349 TIMKEN
1.500" Bore Bearing	.4688" Wide — .06 //	13889 TIMKEN
1.500" Bore Bearing	.6504" Wide — .06 //	19150 TIMKEN
1.500" Bore Bearing	.720" Wide — .01 //	LM29700LA TIM
1.500" Bore Bearing	.720" Wide — .09 //	LM29749 TIMKEN
1.500" Bore Bearing	.720" Wide — Spcl //	LM29748 TIMKEN
1.500" Bore Bearing	.750" Wide — .14 //	13600LA TIMKEN
1.500" Bore Bearing	.750" Wide — .08 //	13687 TIMKEN
1.500" Bore Bearing	.750" Wide — .14 //	13685 TIMKEN
1.500" Bore Bearing	.8125" Wide — .14 //	16150 TIMKEN
1.500" Bore Bearing	.8244" Wide — .06 //	28150 TIMKEN
1.500" Bore Bearing	.882" Wide — .03 //	337 TIMKEN
1.500" Bore Bearing	.933" Wide — .03 //	27880 TIMKEN
1.500" Bore Bearing	.933" Wide — .14 //	27881 TIMKEN
1.500" Bore Bearing	1.000" Wide — .03 //	25572 TIMKEN
1.500" Bore Bearing	1.010" Wide — .06 //	2788A TIMKEN
1.500" Bore Bearing	1.010" Wide — .14 //	2788 TIMKEN
1.500" Bore Bearing	1.010" Wide — .17 //	2776 TIMKEN
1.500" Bore Bearing	1.010" Wide — .22 //	2777 TIMKEN
1.500" Bore Bearing	1.0313" Wide — .06 //	13686 TIMKEN

FOR MORE COMPREHENSIVE DIMENSIONS, PLEASE CALL YOUR SALES REP

TIMKEN

TIMKEN® TAPERED ROLLER BEARINGS: INCH DIMENSION

BORE SIZE	LENGTH THROUGH BORE	PART #
1.500" Bore Bearing	1.120" Wide — .13 //	HM801346 TIMKEN
1.500" Bore Bearing	1.125" Wide — .14 //	33880 TIMKEN
1.500" Bore Bearing	1.145" Wide — .14 //	418 TIMKEN
1.500" Bore Bearing	1.1721" Wide — .14 //	3490 TIMKEN
1.500" Bore Bearing	1.1875" Wide — .03 //	3875 TIMKEN
1.500" Bore Bearing	1.1875" Wide — .14 //	3876 TIMKEN
1.500" Bore Bearing	1.1965" Wide — .14 //	3381 TIMKEN
1.5625" Bore Bearing	.870" Wide — .03 //	M201047 TIMKEN
1.5625" Bore Bearing	1.000" Wide — .14 //	26881 TIMKEN
1.5625" Bore Bearing	1.010" Wide — .14 //	2789 TIMKEN
1.5625" Bore Bearing	1.193" Wide — .14 //	3774 TIMKEN
1.5625" Bore Bearing	1.1965" Wide — .14 //	3382 TIMKEN
1.5748" Bore Bearing	.8244" Wide — .06 //	28158 TIMKEN
1.5748" Bore Bearing	.854" Wide — .03 //	350A TIMKEN
1.5748" Bore Bearing	.854" Wide — .16 //	350 TIMKEN
1.5748" Bore Bearing	.882" Wide — .14 //	344 TIMKEN
1.625" Bore Bearing	.6875" Wide — .14 //	18590 TIMKEN
1.625" Bore Bearing	.780" Wide — .14 //	LM501349 TIMKEN
1.625" Bore Bearing	.875" Wide — .14 //	365A TIMKEN
1.625" Bore Bearing	.882" Wide — .03 //	336 TIMKEN
1.625" Bore Bearing	.882" Wide — .14 //	342 TIMKEN
1.625" Bore Bearing	.9063" Wide — .14 //	24780 TIMKEN
1.625" Bore Bearing	1.000" Wide — .14 //	26882 TIMKEN
1.625" Bore Bearing	1.010" Wide — .14 //	M802048 TIMKEN
1.625" Bore Bearing	1.0625" Wide — .14 //	22778 TIMKEN
1.625" Bore Bearing	1.145" Wide — .14 //	419 TIMKEN
1.625" Bore Bearing	1.1563" Wide — .03 //	HM803145 TIMKEN
1.625" Bore Bearing	1.1563" Wide — .14 //	HM803146 TIMKEN
1.625" Bore Bearing	1.1563" Wide — .14 //	HM804840 TIMKEN
1.625" Bore Bearing	1.1802" Wide — .14 //	342A TIMKEN
1.625" Bore Bearing	1.1875" Wide — .03 //	3880 TIMKEN
1.625" Bore Bearing	1.1875" Wide — .14 //	3877 TIMKEN
1.625" Bore Bearing	1.1965" Wide — .14 //	3383 TIMKEN
1.625" Bore Bearing	1.216" Wide — .06 //	3585 TIMKEN

TAPERED ROLLER
BEARINGS

FOR MORE COMPREHENSIVE DIMENSIONS, PLEASE CALL YOUR SALES REP

TIMKEN® TAPERED ROLLER BEARINGS: INCH DIMENSION
TIMKEN
TAPERED ROLLER BEARINGS

BORE SIZE	LENGTH THROUGH BORE	PART #
1.625" Bore Bearing	1.216" Wide — .14 //	3577 TIMKEN
1.625" Bore Bearing	1.250" Wide — .03 //	46162 TIMKEN
1.6875" Bore Bearing	1.000" Wide — .09 //	25578 TIMKEN
1.6875" Bore Bearing	1.000" Wide — .14 //	25576 TIMKEN
1.6875" Bore Bearing	1.0625" Wide — .14 //	22780 TIMKEN
1.6875" Bore Bearing	1.216" Wide — .14 //	3579 TIMKEN
1.688" Bore Bearing	.882" Wide — .14 //	342S TIMKEN
1.688" Bore Bearing	1.000" Wide — .14 //	25577 TIMKEN
1.688" Bore Bearing	1.000" Wide — .14 //	26884 TIMKEN
1.750" Bore Bearing	.675" Wide — .06 //	12175 TIMKEN
1.750" Bore Bearing	.854" Wide — .09 //	355 TIMKEN
1.750" Bore Bearing	.854" Wide — .14 //	355X TIMKEN
1.750" Bore Bearing	.906" Wide — .03 //	35176 TIMKEN
1.750" Bore Bearing	.906" Wide — .14 //	35175 TIMKEN
1.750" Bore Bearing	1.000" Wide — .02 //	25581 TIMKEN
1.750" Bore Bearing	1.000" Wide — .14 //	25580 TIMKEN
1.750" Bore Bearing	1.1142" Wide — .05 //	53176 TIMKEN
1.750" Bore Bearing	1.1142" Wide — .14 //	53177 TIMKEN
1.750" Bore Bearing	1.125" Wide — .03 //	33885 TIMKEN
1.750" Bore Bearing	1.125" Wide — .14 //	HM903249 TIMKEN
1.750" Bore Bearing	1.1542" Wide — .14 //	460 TIMKEN
1.750" Bore Bearing	1.1563" Wide — .14 //	HM803149 TIMKEN
1.750" Bore Bearing	1.193" Wide — .14 //	3782 TIMKEN
1.750" Bore Bearing	1.193" Wide — .25 //	3783 TIMKEN
1.750" Bore Bearing	1.216" Wide — .14 //	3578 TIMKEN
1.750" Bore Bearing	1.2188" Wide — .03 //	45280 TIMKEN
1.750" Bore Bearing	1.2344" Wide — .15 //	17888 TIMKEN
1.750" Bore Bearing	1.250" Wide — .14 //	49175 TIMKEN
1.750" Bore Bearing	1.420" Wide — .14 //	527 TIMKEN
1.750: Bore Bearing	.6875" Wide — .11 //	18685 TIMKEN
1.771" Bore Bearing	1.000" Wide — .06 //	25584 TIMKEN
1.771" Bore Bearing	1.193" Wide — .14 //	3776 TIMKEN
1.7717" Bore Bearing	.875" Wide — .08 //	367 TIMKEN
1.781" Bore Bearing	1.216" Wide — .14 //	3586 TIMKEN

FOR MORE COMPREHENSIVE DIMENSIONS, PLEASE CALL YOUR SALES REP

TIMKEN

TIMKEN® TAPERED ROLLER BEARINGS: INCH DIMENSION

BORE SIZE	LENGTH THROUGH BORE	PART #
1.7812" Bore Bearing	.780" Wide — .14 //	LM102949 TIMKEN
1.7812" Bore Bearing	.7812" Wide — .14 //	LM603049 TIMKEN
1.796" Bore Bearing	1.000" Wide — .14 //	25590 TIMKEN
1.8125" Bore Bearing	.6875" Wide — .11 //	18690 TIMKEN
1.8125" Bore Bearing	.854" Wide — .09 //	359S TIMKEN
1.8125" Bore Bearing	.854" Wide — .14 //	359A TIMKEN
1.8125" Bore Bearing	1.000" Wide — .14 //	25592 TIMKEN
1.8125" Bore Bearing	1.0082" Wide — .14 //	2984 TIMKEN
1.8125" Bore Bearing	1.193" Wide — .14 //	3777 TIMKEN
1.875" Bore Bearing	.864" Wide — .03 //	386A TIMKEN
1.875" Bore Bearing	1.000" Wide — .14 //	M804049 TIMKEN
1.875" Bore Bearing	1.1563" Wide — .14 //	HM804846 TIMKEN
1.875" Bore Bearing	1.420" Wide — .14 //	528 TIMKEN
1.906" Bore Bearing	1.1563" Wide — .09 //	HM804848 TIMKEN
1.906" Bore Bearing	1.1563" Wide — .14 //	HM804849 TIMKEN
1.9375" Bore Bearing	1.193" Wide — .14 //	3781 TIMKEN
1.9375" Bore Bearing	1.4375" Wide — .14 //	HM807044 TIMKEN
1.968" Bore Bearing	1.000" Wide — .09 //	28579 TIMKEN
1.9685" Bore Bearing	.8465" Wide — .12 //	JLM104948 TIMKEN
1.9685" Bore Bearing	.866" Wide — .03 //	396 TIMKEN
1.9685" Bore Bearing	.8661" Wide — .14 //	JLM704649 TIMKEN
1.9685" Bore Bearing	.875" Wide — .08 //	365 TIMKEN
1.9685" Bore Bearing	.875" Wide — .09 //	366 TIMKEN
1.9685" Bore Bearing	1.1024" Wide — .12 //	JM205149 TIMKEN
1.9685" Bore Bearing	1.4173" Wide — .12 //	JHM807045 TIMKEN
2.000" Bore Bearing	.6875" Wide — .14 //	18790 TIMKEN
2.000" Bore Bearing	.719" Wide — .06 //	18200 TIMKEN
2.000" Bore Bearing	.864" Wide — .09 //	385A TIMKEN
2.000" Bore Bearing	.866" Wide — .03 //	398 TIMKEN
2.000" Bore Bearing	.875" Wide — .06 //	368 TIMKEN
2.000" Bore Bearing	.875" Wide — .14 //	368A TIMKEN
2.000" Bore Bearing	.875" Wide — .14 //	LM104949 TIMKEN
2.000" Bore Bearing	.875" Wide — .20 //	370A TIMKEN
2.000" Bore Bearing	.9688" Wide — .14 //	28678 TIMKEN

TAPERED ROLLER
BEARINGS

FOR MORE COMPREHENSIVE DIMENSIONS, PLEASE CALL YOUR SALES REP

TIMKEN® TAPERED ROLLER BEARINGS: INCH DIMENSION
TIMKEN

BORE SIZE	LENGTH THROUGH BORE	PART #
2.000" Bore Bearing	1.000" Wide — .14 //	28580 TIMKEN
2.000" Bore Bearing	1.0594" Wide — .14 //	55200 TIMKEN
2.000" Bore Bearing	1.125" Wide — .14 //	33889 TIMKEN
2.000" Bore Bearing	1.1542" Wide — .03 //	455 TIMKEN
2.000" Bore Bearing	1.193" Wide — .03 //	3775 TIMKEN
2.000" Bore Bearing	1.193" Wide — .14 //	3780 TIMKEN
2.000" Bore Bearing	1.193" Wide — .14 //	3795 TIMKEN
2.000" Bore Bearing	1.193" Wide — .25 //	3784 TIMKEN
2.000" Bore Bearing	1.2188" Wide — .09 //	45285 TIMKEN
2.000" Bore Bearing	1.2188" Wide — .25 //	45284 TIMKEN
2.000" Bore Bearing	1.420" Wide — .14 //	529X TIMKEN
2.000" Bore Bearing	1.4375" Wide — .14 //	HM807046 TIMKEN
2.000" Bore Bearing	1.4375" Wide — .14 //	HM813836 TIMKEN
2.000" Bore Bearing	1.455" Wide — .14 //	537 TIMKEN
2.000" Bore Bearing	1.581" Wide — .14 //	4580 TIMKEN
2.0312" Bore Bearing	.875" Wide — .08 //	368S TIMKEN
2.0625" Bore Bearing	.875" Wide — .09 //	3767A TIMKEN
2.0625" Bore Bearing	.875" Wide — .09 //	377 TIMKEN
2.0625" Bore Bearing	1.000" Wide — .14 //	28584 TIMKEN
2.0625" Bore Bearing	1.125" Wide — .06 //	33890 TIMKEN
2.0625" Bore Bearing	1.193" Wide — .09 //	3767 TIMKEN
2.0625" Bore Bearing	1.455" Wide — .14 //	540 TIMKEN
2.125" Bore Bearing	.750" Wide — .09 //	LM806649 TIMKEN
2.125" Bore Bearing	.864" Wide — .03 //	389A TIMKEN
2.125" Bore Bearing	.864" Wide — .06 //	389AS TIMKEN
2.125" Bore Bearing	1.125" Wide — .06 //	33895 TIMKEN
2.125" Bore Bearing	1.250" Wide — .14 //	66212 TIMKEN
2.125" Bore Bearing	1.4375" Wide — .14 //	HM807049 TIMKEN
2.1654" Bore Bearing	.864" Wide — .09 //	385 TIMKEN
2.1654" Bore Bearing	.9055" Wide — .06 //	JLM506849 TIMKEN
2.1654" Bore Bearing	1.1417" Wide — .06 //	JM207049 TIMKEN
2.1654" Bore Bearing	1.142" Wide — .03 //	475 TIMKEN
2.1875" Bore Bearing	.9688" Wide — .14 //	28680 TIMKEN
2.188" Bore Bearing	.864" Wide — .09 //	389 TIMKEN

TAPERED ROLLER BEARINGS
FOR MORE COMPREHENSIVE DIMENSIONS, PLEASE CALL YOUR SALES REP

TIMKEN

TIMKEN® TAPERED ROLLER BEARINGS: INCH DIMENSION

BORE SIZE	LENGTH THROUGH BORE	PART #
2.250" Bore Bearing	.864" Wide — .03 //	387S TIMKEN
2.250" Bore Bearing	.864" Wide — .09 //	387 TIMKEN
2.250" Bore Bearing	.864" Wide — .14 //	387A TIMKEN
2.250" Bore Bearing	.864" Wide — .20 //	387AS TIMKEN
2.250" Bore Bearing	.866" Wide — .09 //	390 TIMKEN
2.250" Bore Bearing	.9688" Wide — .14 //	28682 TIMKEN
2.250" Bore Bearing	1.1542" Wide — .09 //	462 TIMKEN
2.250" Bore Bearing	1.1542" Wide — .09 //	462A TIMKEN
2.250" Bore Bearing	1.1542" Wide — .14 //	469 TIMKEN
2.250" Bore Bearing	1.1875" Wide — .14 //	39580 TIMKEN
2.250" Bore Bearing	1.1875" Wide — .31 //	39581 TIMKEN
2.250" Bore Bearing	1.2188" Wide — .09 //	45290 TIMKEN
2.250" Bore Bearing	1.2188" Wide — .25 //	45291 TIMKEN
2.250" Bore Bearing	1.625" Wide — .14 //	623 TIMKEN
2.265" Bore Bearing	.864" Wide — .14 //	388A TIMKEN
2.3622" Bore Bearing	.866" Wide — .03 //	397 TIMKEN
2.3622" Bore Bearing	.9449" Wide — .20 //	JLM508748 TIMKEN
2.3622" Bore Bearing	1.000" Wide — .03 //	29582 TIMKEN
2.375" Bore Bearing	1.000" Wide — .14 //	28985 TIMKEN
2.375" Bore Bearing	1.183" Wide — .14 //	3980 TIMKEN
2.4375" Bore Bearing	.866" Wide — .03 //	392 TIMKEN
2.440" Bore Bearing	.9688" Wide — .08 //	28990 TIMKEN
2.470" Bore Bearing	1.000" Wide — .14 //	28995 TIMKEN
2.500" Bore Bearing	.866" Wide — .06 //	390A TIMKEN
2.500" Bore Bearing	.866" Wide — .14 //	395 TIMKEN
2.500" Bore Bearing	.8661" Wide — .08 //	39250 TIMKEN
2.500" Bore Bearing	1.000" Wide — .14 //	29585 TIMKEN
2.500" Bore Bearing	1.183" Wide — .14 //	3982 TIMKEN
2.500" Bore Bearing	1.1875" Wide — .14 //	39585 TIMKEN
2.500" Bore Bearing	1.510" Wide — .14 //	HM212046 TIMKEN
2.500" Bore Bearing	1.510" Wide — .28 //	HM212047 TIMKEN
2.5586" Bore Bearing	1.2175" Wide — .09 //	39586 TIMKEN
2.5591" Bore Bearing	.9055" Wide — .12 //	JLM710949C TIMKEN
2.5591" Bore Bearing	1.1024" Wide — .12 //	JM511946 TIMKEN

TAPERED ROLLER
BEARINGS

FOR MORE COMPREHENSIVE DIMENSIONS, PLEASE CALL YOUR SALES REP

TIMKEN® TAPERED ROLLER BEARINGS: INCH DIMENSION
TIMKEN
TAPERED ROLLER BEARINGS

BORE SIZE	LENGTH THROUGH BORE	PART #
2.5938" Bore Bearing	1.723" Wide — .14 //	5595 TIMKEN
2.625" Bore Bearing	.693" Wide — .06 //	L812148 TIMKEN
2.625" Bore Bearing	.866" Wide — .03 //	395A TIMKEN
2.625" Bore Bearing	.866" Wide — .14 //	395S TIMKEN
2.625" Bore Bearing	1.000" Wide — .14 //	29590 TIMKEN
2.625" Bore Bearing	1.142" Wide — .09 //	479 TIMKEN
2.625" Bore Bearing	1.183" Wide — .14 //	3984 TIMKEN
2.625" Bore Bearing	1.183" Wide — .22 //	3994 TIMKEN
2.625" Bore Bearing	1.1875" Wide — .14 //	33262 TIMKEN
2.625" Bore Bearing	1.1875" Wide — .14 //	39590 TIMKEN
2.625" Bore Bearing	1.444" Wide — .14 //	560 TIMKEN
2.625" Bore Bearing	1.510" Wide — .14 //	HM212049 TIMKEN
2.6875" Bore Bearing	.866" Wide — .09 //	399A TIMKEN
2.6875" Bore Bearing	.866" Wide — .20 //	399AS TIMKEN
2.6875" Bore Bearing	1.444" Wide — .14 //	560S TIMKEN
2.750" Bore Bearing	1.000" Wide — .06 //	29675 TIMKEN
2.750" Bore Bearing	1.1875" Wide — .14 //	33275 TIMKEN
2.750" Bore Bearing	1.424" Wide — .14 //	566 TIMKEN
2.750" Bore Bearing	1.625" Wide — .14 //	643 TIMKEN
2.750" Bore Bearing	1.625" Wide — .14 //	655 TIMKEN
2.755" Bore Bearing	.9843" Wide — .04 //	JLM813049 TIMKEN
2.7759" Bore Bearing	1.1417" Wide — .12 //	JM612949 TIMKEN
2.781" Bore Bearing	1.000" Wide — .05 //	29680 TIMKEN
2.8125" Bore Bearing	1.1875" Wide — .14 //	33281 TIMKEN
2.8125" Bore Bearing	1.424" Wide — .25 //	567S TIMKEN
2.8125" Bore Bearing	1.4375" Wide — .14 //	HM813849 TIMKEN
2.8125" Bore Bearing	1.625" Wide — .14 //	644 TIMKEN
2.8125" Bore Bearing	1.625" Wide — .14 //	H414249 TIMKEN
2.875" Bore Bearing	1.000" Wide — .14 //	29685 TIMKEN
2.875" Bore Bearing	1.1875" Wide — .14 //	33287 TIMKEN
2.875" Bore Bearing	1.424" Wide — .14 //	567 TIMKEN
2.9528" Bore Bearing	.9843" Wide — .12 //	JLM714149 TIMKEN
2.9528" Bore Bearing	1.1614" Wide — .12 //	JM714249 TIMKEN
3.00" Bore Bearing	.750" Wide — .06 //	L814749 TIMKEN

FOR MORE COMPREHENSIVE DIMENSIONS, PLEASE CALL YOUR SALES REP

TIMKEN

TIMKEN® TAPERED ROLLER BEARINGS: INCH DIMENSION

BORE SIZE	LENGTH THROUGH BORE	PART #
3.000" Bore Bearing	.906" Wide — .08 //	34300 TIMKEN
3.000" Bore Bearing	1.000" Wide — .14 //	27684 TIMKEN
3.000" Bore Bearing	1.172" Wide — .14 //	495A TIMKEN
3.000" Bore Bearing	1.172" Wide — .25 //	495AX TIMKEN
3.000" Bore Bearing	1.2205" Wide — .14 //	42687 TIMKEN
3.000" Bore Bearing	1.2205" Wide — .25 //	42688 TIMKEN
3.000" Bore Bearing	1.3125" Wide — .03 //	47680 TIMKEN
3.000" Bore Bearing	1.3125" Wide — .14 //	47679 TIMKEN
3.000" Bore Bearing	1.4212" Wide — .14 //	575 TIMKEN
3.000" Bore Bearing	1.815" Wide — .14 //	5760 TIMKEN
3.0625" Bore Bearing	.906" Wide — .25 // Nr	34307 TIMKEN
3.0625" Bore Bearing	.906" Wide — .14 //	34306 TIMKEN
3.0625" Bore Bearing	1.000" Wide — .14 //	LM814849 TIMKEN
3.0625" Bore Bearing	1.8125" Wide — .14 //	H715348 TIMKEN
3.149" Bore Bearing	1.4212" Wide — .14 //	578 TIMKEN
3.1875" Bore Bearing	1.172" Wide — .14 //	496 TIMKEN
3.1875" Bore Bearing	1.8375" Wide — .20 //	740 TIMKEN
3.2187" Bore Bearing	.9375" Wide — .13 //	3329 TIMKEN
3.250" Bore Bearing	1.000" Wide — .14 //	27687 TIMKEN
3.250" Bore Bearing	1.172" Wide — .14 //	495 TIMKEN
3.250" Bore Bearing	1.3125" Wide — .14 //	47686 TIMKEN
3.250" Bore Bearing	1.3125" Wide — .27 //	47687 TIMKEN
3.250" Bore Bearing	1.4212" Wide — .14 //	580 TIMKEN
3.250" Bore Bearing	1.4212" Wide — .27 //	582 TIMKEN
3.250" Bore Bearing	1.5625" Wide — .27 //	HM516448 TIMKEN
3.250" Bore Bearing	1.625" Wide — .14 //	663 TIMKEN
3.250" Bore Bearing	2.219" Wide — .14 //	842 TIMKEN
3.2813" Bore Bearing	1.000" Wide — .14 //	27690 TIMKEN
3.3125" Bore Bearing	1.172" Wide — .14 //	498 TIMKEN
3.3465" Bore Bearing	1.1417" Wide — .12 //	JM716649 TIMKEN
3.3475" Bore Bearing	1.8375" Wide — .14 //	749 TIMKEN
3.3475" Bore Bearing	1.8375" Wide — .20 //	749S TIMKEN
3.375" Bore Bearing	1.172" Wide — .14 //	497 TIMKEN
3.375" Bore Bearing	1.430" Wide — .14 //	596 TIMKEN

TAPERED ROLLER
BEARINGS

FOR MORE COMPREHENSIVE DIMENSIONS, PLEASE CALL YOUR SALES REP

TIMKEN® TAPERED ROLLER BEARINGS: INCH DIMENSION
TIMKEN

BORE SIZE	LENGTH THROUGH BORE	PART #
3.500" Bore Bearing	1.430" Wide — .14 //	593 TIMKEN
3.500" Bore Bearing	1.430" Wide — .25 //	593A TIMKEN
3.500" Bore Bearing	1.900" Wide — .28 //	766 TIMKEN
3.5423" Bore Bearing	1.5748" Wide — .28 //	HM218248 TIMKEN
3.5433" Bore Bearing	1.3386" Wide — .12 //	JM718149 TIMKEN
3.625" Bore Bearing	1.430" Wide — .14 //	598 TIMKEN
3.625" Bore Bearing	1.430" Wide — .25 //	598A TIMKEN
3.7402" Bore Bearing	.7874" Wide — .20 //	JL819349 TIMKEN
3.7402" Bore Bearing	1.3386" Wide — .12 //	JM719149 TIMKEN
3.750" Bore Bearing	1.430" Wide — .14 //	594 TIMKEN
3.750" Bore Bearing	1.430" Wide — .20 //	594A TIMKEN
3.750" Bore Bearing	1.890" Wide — .14 //	776 TIMKEN
3.937" Bore Bearing	1.378" Wide — .12 //	JM720249 TIMKEN
3.937" Bore Bearing	1.5748" Wide — .12 //	JHM720249 TIM
4.000" Bore Bearing	1.4219" Wide — .14 //	52400 TIMKEN
4.000" Bore Bearing	1.625" Wide — .14 //	687 TIMKEN
4.250" Bore Bearing	.844" Wide — .14 //	37425 TIMKEN
4.250" Bore Bearing	1.375" Wide — .14 //	48190 TIMKEN
4.3125" Bore Bearing	.844" Wide — .14 //	37431 TIMKEN
4.3125" Bore Bearing	.844" Wide — .20 //	37431A TIMKEN
4.3307" Bore Bearing	1.378" Wide — .12 //	JM822049 TIMKEN
4.500" Bore Bearing	1.9375" Wide — .14 //	71450 TIMKEN
4.625" Bore Bearing	1.250" Wide — .14 //	68462 TIMKEN
4.750" Bore Bearing	1.8125" Wide — .14 //	HM624749 TIMKEN
5.000" Bore Bearing	1.500" Wide — .14 //	48290 TIMKEN
5.250" Bore Bearing	1.8125" Wide — .14 //	67390 TIMKEN
5.250" Bore Bearing	1.8125" Wide — .31 //	67391 TIMKEN
5.750" Bore Bearing	1.125" Wide — .06 //	36690 TIMKEN

**TAPERED ROLLER
BEARINGS**
FOR MORE COMPREHENSIVE DIMENSIONS, PLEASE CALL YOUR SALES REP

TIMKEN

TIMKEN® TAPERED ROLLER BEARINGS: METRIC DIMENSION

BORE SIZE	LENGTH THROUGH BORE	PART #
100mm Bore Bearing Set	150mm OD — 32.5mm Wide	33020 TIMKEN
105mm Bore Bearing Set	190mm OD — 30mm Wide	30221M TIMKEN
15mm Bore Bearing Set	42mm OD — 11mm Wide	30302 TIMKEN
17mm Bore Bearing Set	40mm OD — 11mm Wide	30203 TIMKEN
20mm Bore Bearing Set	47mm OD — 12mm Wide	30204 TIMKEN
20mm Bore Bearing Set	52mm OD — 13mm Wide	30304 TIMKEN
25mm Bore Bearing Set	52mm OD — 13mm Wide	30205 TIMKEN
25mm Bore Bearing Set	62mm OD — 15mm Wide	30305 TIMKEN
25mm Bore Bearing Set	47mm OD — 11.5mm Wide	32005X TIMKEN
25mm Bore Bearing Set	52mm OD — 15mm Wide	32205 TIMKEN
25mm Bore Bearing Set	62mm OD — 20mm Wide	32305 TIMKEN
25mm Bore Bearing Set	52mm OD — 18mm Wide	33205 TIMKEN
30mm Bore Bearing Set	62mm OD — 14mm Wide	30206 TIMKEN
30mm Bore Bearing Set	72mm OD — 16mm Wide	30306 TIMKEN
30mm Bore Bearing Set	55mm OD — 13mm Wide	32006X TIMKEN
30mm Bore Bearing Set	62mm OD — 17mm Wide	32206 TIMKEN
30mm Bore Bearing Set	62mm OD — 19.5mm Wide	33206 TIMKEN
35mm Bore Bearing Set	72mm OD — 15mm Wide	30207 TIMKEN
35mm Bore Bearing Set	80mm OD — 18mm Wide	30307 TIMKEN
35mm Bore Bearing Set	62mm OD — 14mm Wide	32007X TIMKEN
35mm Bore Bearing Set	72mm OD — 19mm Wide	32207 TIMKEN
35mm Bore Bearing Set	80mm OD — 25mm Wide	32307 TIMKEN
35mm Bore Bearing Set	72mm OD — 22mm Wide	33207 TIMKEN
40mm Bore Bearing Set	80mm OD — 16mm Wide	30208 TIMKEN
40mm Bore Bearing Set	90mm OD — 20mm Wide	30308 TIMKEN
40mm Bore Bearing Set	68mm OD — 14.5mm Wide	32008X TIMKEN
40mm Bore Bearing Set	80mm OD — 19mm Wide	32208 TIMKEN
40mm Bore Bearing Set	90mm OD — 27mm Wide	32308 TIMKEN
40mm Bore Bearing Set	80mm OD — 25mm Wide	33208 TIMKEN
45mm Bore Bearing Set	85mm OD — 16mm Wide	30209 TIMKEN
45mm Bore Bearing Set	100mm OD — 22mm Wide	30309 TIMKEN
45mm Bore Bearing Set	75mm OD — 15.5mm Wide	32009X TIMKEN
45mm Bore Bearing Set	85mm OD — 19mm Wide	32209 TIMKEN
45mm Bore Bearing Set	80mm OD — 20.5mm Wide	33109 TIMKEN

TAPERED ROLLER
BEARINGS

FOR MORE COMPREHENSIVE DIMENSIONS, PLEASE CALL YOUR SALES REP

TIMKEN® TAPERED ROLLER BEARINGS: METRIC DIMENSION
TIMKEN

BORE SIZE	LENGTH THROUGH BORE	PART #
45mm Bore Bearing Set	85mm OD — 25mm Wide	33209 TIMKEN
50mm Bore Bearing Set	90mm OD — 17mm Wide	30210 TIMKEN
50mm Bore Bearing Set	110mm OD — 23mm Wide	30310 TIMKEN
50mm Bore Bearing Set	80mm OD — 15.5mm Wide	32010X TIMKEN
50mm Bore Bearing Set	90mm OD — 19mm Wide	32210 TIMKEN
50mm Bore Bearing Set	110mm OD — 33mm Wide	32310 TIMKEN
50mm Bore Bearing Set	90mm OD — 24.5mm Wide	33210 TIMKEN
55mm Bore Bearing Set	100mm OD — 18mm Wide	30211 TIMKEN
55mm Bore Bearing Set	90mm OD — 17.5mm Wide	32011X TIMKEN
55mm Bore Bearing Set	100mm OD — 21mm Wide	32211M TIMKEN
55mm Bore Bearing Set	100mm OD — 27mm Wide	33211 TIMKEN
55mm Bore Bearing Set	90mm OD — 21mm Wide	33011 TIMKEN
60mm Bore Bearing Set	110mm OD — 19mm Wide	30212 TIMKEN
60mm Bore Bearing Set	95mm OD — 17.5mm Wide	32012X TIMKEN
60mm Bore Bearing Set	110mm OD — 24mm Wide	32212M TIMKEN
60mm Bore Bearing Set	130mm OD — 37mm Wide	32312 TIMKEN
60mm Bore Bearing Set	110mm OD — 29mm Wide	33212 TIMKEN
65mm Bore Bearing Set	120mm OD — 20mm Wide	30213M TIMKEN
65mm Bore Bearing Set	100mm OD — 17.5mm Wide	32013X TIMKEN
65mm Bore Bearing Set	120mm OD — 27mm Wide	32213 TIMKEN
65mm Bore Bearing Set	100mm OD — 21mm Wide	33013 TIMKEN
65mm Bore Bearing Set	100mm OD — 26.5mm Wide	33113 TIMKEN
65mm Bore Bearing Set	120mm OD — 32mm Wide	33213 TIMKEN
70mm Bore Bearing Set	125mm OD — 21mm Wide	30214 TIMKEN
70mm Bore Bearing Set	125mm OD — 27mm Wide	32214 TIMKEN
75mm Bore Bearing Set	130mm OD — 22mm Wide	30215M TIMKEN
75mm Bore Bearing Set	160mm OD — 26mm Wide	31315M TIMKEN
75mm Bore Bearing Set	130mm OD — 27mm Wide	32215 TIMKEN
75mm Bore Bearing Set	115mm OD — 19mm Wide	32015X TIMKEN
80mm Bore Bearing Set	140mm OD — 28mm Wide	32216 TIMKEN
80mm Bore Bearing Set	140mm OD — 35mm Wide	33216 TIMKEN
80mm Bore Bearing Set	125mm OD — 22mm Wide	32016X TIMKEN
90mm Bore Bearing Set	160mm OD — 34mm Wide	32218M TIMKEN
95mm Bore Bearing Set	145mm OD — 24mm Wide	32019X TIMKEN

**TAPERED ROLLER
BEARINGS**
FOR MORE COMPREHENSIVE DIMENSIONS, PLEASE CALL YOUR SALES REP

TIMKEN

TIMKEN® RACES: INCH DIMENSION

BORE SIZE	LENGTH THROUGH BORE	PART #
1.2595" OD Race	.3125" Wide — .05 //	A2126 TIMKEN
1.3775" OD Race	.3437" Wide — .05 //	A4138 TIMKEN
1.570" OD Race	.420" Wide — .05 //	LM11710 TIMKEN
1.5745" OD Race	.375" Wide — .05 //	A6157
1.6875" OD Race	.375" Wide — .06 //	11520 TIMKEN
1.6875" OD Race	.5313" Wide — .06 //	17520 TIMKEN
1.750" OD Race	.375" Wide — .06 //	6 TIMKEN
1.781" OD Race	.475" Wide — .05 //	LM11910 TIMKEN
1.781" OD Race	.475" Wide — .05 //	LM12710 TIMKEN
1.810" OD Race	.475" Wide — .05 //	LM12711 TIMKEN
1.8504" OD Race	.4375" Wide — .05 //	05185 TIMKEN
1.8504" OD Race	.4724" Wide — .04 //	LM72810 TIMKEN
1.938" OD Race	.5625" Wide — .05 //	09195 TIMKEN
1.938" OD Race	.6875" Wide — .06 //	09196 TIMKEN
1.938" OD Race	.6875" Wide — .14 //	09194 TIMKEN
1.9380" OD Race	.625" Wide — .06 //	12520 TIMKEN
1.9687" OD Race	.375" Wide — .04 //	07196 TIMKEN
1.9687" OD Race	.550" Wide — .05 //	M12610 TIMKEN
1.980" OD Race	.420" Wide — .05 //	L44610 TIMKEN
1.980" OD Race	.420" Wide — .05 //	L45410 TIMKEN
2.0470" OD Race	.500" Wide — .05 //	07204 TIMKEN
2.0625" OD Race	.5625" Wide — .06 //	1328 TIMKEN
2.125" OD Race	.5625" Wide — .06 //	1329 TIMKEN
2.240" OD Race	.625" Wide — .03 //	1930 TIMKEN
2.240" OD Race	.625" Wide — .05 //	1729 TIMKEN
2.240" OD Race	.625" Wide — .06 //	1729X TIMKEN
2.250" OD Race	.5313" Wide — .06 //	15520 TIMKEN
2.250" OD Race	.580" Wide — .06 //	M84510 TIMKEN
2.3125" OD Race	.4219" Wide — .04 //	08231 TIMKEN
2.3125" OD Race	.5937" Wide — .05 //	1932 TIMKEN
2.328" O.D. Race	.465" Wide — .05 //	LM67010 TIMKEN
2.328" OD Race	.470" Wide — .05 //	L68110 TIMKEN
2.3612" OD Race	.470" Wide — .05 //	L68111 TIMKEN

TAPERED ROLLER
BEARINGS

FOR MORE COMPREHENSIVE DIMENSIONS, PLEASE CALL YOUR SALES REP

TIMKEN® RACES: INCH DIMENSION
TIMKEN

BORE SIZE	LENGTH THROUGH BORE	PART #
2.375" OD Race	.625" Wide — .05 //	1931 TIMKEN
2.375" OD Race	.625" Wide — .06 //	15523 TIMKEN
2.4375" OD Race	.5625" Wide — .08 //	15243 TIMKEN
2.4409" OD Race	.5625" Wide — .05 //	15245 TIMKEN
2.4409" OD Race	.5825" Wide — .06 //	17244 TIMKEN
2.4409" OD Race	.625" Wide — .05 //	15244 TIMKEN
2.4803" OD Race	.5315" Wide — .05 //	JL69310 TIMKEN
2.4843" OD Race	.750" Wide — .13 //	2620 TIMKEN
2.500" OD Race	.375" Wide — .03 //	13830 TIMKEN
2.500" OD Race	.625" Wide — .05 //	15250 TIMKEN
2.500" OD Race	.625" Wide — .06 //	15250X TIMKEN
2.531" OD Race	.6563" Wide — .06 //	M86610 TIMKEN
2.562" OD Race	.375" Wide — .03 //	13836 TIMKEN
2.5625" OD Race	.550" Wide — .05 //	LM29710 TIMKEN
2.5625" OD Race	.550" Wide — .05 //	LM48510 TIMKEN
2.615" OD Race	.750" Wide — .05 //	2631 TIMKEN
2.615" OD Race	.8125" Wide — .13 //	2520 TIMKEN
2.6875" OD Race	.4688" Wide — .06 //	19268 TIMKEN
2.6875" OD Race	.6875" Wide — .06 //	02420 TIMKEN
2.6875" OD Race	.6875" Wide — .06 //	2420 TIMKEN
2.6875" OD Race	.6875" Wide — .06 //	M88010 TIMKEN
2.7170" OD Race	.5938" Wide — .03 //	13620 TIMKEN
2.7170" OD Race	.5938" Wide — .09 //	13621 TIMKEN
2.7170" OD Race	.625" Wide — .05 //	14276 TIMKEN
2.7170" OD Race	.625" Wide — .13 //	14274 TIMKEN
2.750" OD Race	.750" Wide — .05 //	2523 TIMKEN
2.8346" OD Race	.5605" Wide — .06 //	16282 TIMKEN
2.8346" OD Race	.625" Wide — .06 //	26283 TIMKEN
2.838" OD Race	.725" Wide — .09 //	14283 TIMKEN
2.8438" OD Race	.7812" Wide — .09 //	HM88610 TIMKEN
2.8440" OD Race	.750" Wide — .09 //	16283 TIMKEN
2.8593" OD Race	.9375" Wide — .13 //	3120 TIMKEN
2.875" OD Race	.500" Wide — .06 //	18520 TIMKEN

TAPERED ROLLER BEARINGS
FOR MORE COMPREHENSIVE DIMENSIONS, PLEASE CALL YOUR SALES REP

TIMKEN

TIMKEN® RACES: INCH DIMENSION

BORE SIZE	LENGTH THROUGH BORE	PART #
2.875" OD Race	.6875" Wide — .13 //	02820 TIMKEN
2.875" OD Race	.6875" Wide — .13 //	2820 TIMKEN
2.875" OD Race	.750" Wide — .03 //	25821 TIMKEN
2.875" OD Race	.750" Wide — .03 //	2735X TIMKEN
2.875" OD Race	.750" Wide — .06 //	2726 TIMKEN
2.875" OD Race	.750" Wide — .09 //	25820 TIMKEN
2.875" OD Race	.840" Wide — .09 //	M201011 TIMKEN
2.875" OD Race	.9063" Wide — .13 //	HM88510 TIMKEN
2.891" OD Race	.580" Wide — .03 //	LM501310 TIMKEN
2.891" OD Race	.620" Wide — .03 //	LM102910 TIMKEN
2.891" OD Race	.6537" Wide — .03 //	LM501314 TIMKEN
2.891" OD Race	.716" Wide — .09 //	LM501311 TIMKEN
3.000" OD Race	.9063" Wide — .13 //	HM89410 TIMKEN
3.000" OD Race	.6105" Wide — .05 //	28300 TIMKEN
3.000" OD Race	.6563" Wide — .13 //	43300 TIMKEN
3.000" OD Race	.6875" Wide — .03 //	24720 TIMKEN
3.000" OD Race	.750" Wide — .06 //	2729 TIMKEN
3.000" OD Race	.750" Wide — .13 //	2720 TIMKEN
3.000" OD Race	.8125" Wide — .06 //	26823 TIMKEN
3.000" OD Race	.8125" Wide — .09 //	24721 TIMKEN
3.000" OD Race	.9375" Wide — .05 //	31521 TIMKEN
3.000" OD Race	.9375" Wide — .13 //	31520 TIMKEN
3.000" OD Race	.9063" Wide — .03 //	HM89411 TIMKEN
3.0625" OD Race	.5937" Wide — .03 //	LM603011 TIMKEN
3.0625" OD Race	.6562" Wide — .03 //	LM603012 TIMKEN
3.125" OD Race	.5313" Wide — .06 //	18620 TIMKEN
3.125" OD Race	.625" Wide — .08 //	17830 TIMKEN
3.125" OD Race	.6875" Wide — .06 //	43312 TIMKEN
3.125" OD Race	.750" Wide — .03 //	26822 TIMKEN
3.125" OD Race	.8923" Wide — .13 //	HM89210 TIMKEN
3.125" OD Race	.9375" Wide — .13 //	3420 TIMKEN
3.1486" OD Race	.5937" Wide — .03 //	LM603014 TIMKEN
3.1486" OD Race	.8268" Wide — .03 //	333A TIMKEN

TAPERED ROLLER
BEARINGS

FOR MORE COMPREHENSIVE DIMENSIONS, PLEASE CALL YOUR SALES REP

TIMKEN® RACES: INCH DIMENSION
TIMKEN

BORE SIZE	LENGTH THROUGH BORE	PART #
3.149" OD Race	.8268" Wide — .09 //	332A TIMKEN
3.1496" OD Race	.7018" Wide — .05 //	332 TIMKEN
3.151" OD Race	.7288" Wide — .06 //	27820 TIMKEN
3.151" OD Race	.9375" Wide — .06 //	3339 TIMKEN
3.1562" OD Race	.8125" Wide — .13 //	26820 TIMKEN
3.1562" OD Race	.9375" Wide — .13 //	3320 TIMKEN
3.1562" OD Race	.9375" Wide — .13 //	3422 TIMKEN
3.2283" OD Race	.6693" Wide — .02 //	JLM104910 TIMKEN
3.250" OD Race	.5937" Wide — .06 //	22325 TIMKEN
3.250" OD Race	.650" Wide — .05 //	LM104911 TIMKEN
3.250" OD Race	.750" Wide — .08 //	25519 TIMKEN
3.250" OD Race	.795" Wide — .13 //	M802011 TIMKEN
3.250" OD Race	.8125" Wide — .03 //	22721 TIMKEN
3.250" OD Race	.8125" Wide — .13 //	22720 TIMKEN
3.250" OD Race	.9063" Wide — .13 //	HM801310 TIMKEN
3.265" OD Race	.650" Wide — .05 //	LM104912 TIMKEN
3.265" OD Race	.6875" Wide — .03 //	35326 TIMKEN
3.265" OD Race	.875" Wide — .09 //	25523 TIMKEN
3.270" OD Race	.750" Wide — .13 //	25521 TIMKEN
3.270" OD Race	.7525" Wide — .08 //	25522 TIMKEN
3.3071" OD Race	.689" Wide — .06 //	JLM704610 TIMKEN
3.3125" OD Race	.9375" Wide — .13 //	3520 TIMKEN
3.3465" OD Race	.5313" Wide — .06 //	18720 TIMKEN
3.3465" OD Race	.6875" Wide — .05 //	354A TIMKEN
3.3465" OD Race	.748" Wide — .08 //	354 TIMKEN
3.3465" OD Race	.750" Wide — .09 //	25526 TIMKEN
3.3465" OD Race	.8125" Wide — .05 //	2924 TIMKEN
3.375" OD Race	.9375" Wide — .13 //	3820 TIMKEN
3.3875" OD Race	.9375" Wide — .13 //	3732 TIMKEN
3.4375" OD Race	.9375" Wide — .13 //	3525 TIMKEN
3.4843" OD Race	.875" Wide — .06 //	414 TIMKEN
3.500" OD Race	.5312" Wide — .08 //	LM806610 TIMKEN
3.500" OD Race	.6501" Wide — .05 //	362A TIMKEN

**TAPERED ROLLER
BEARINGS**
FOR MORE COMPREHENSIVE DIMENSIONS, PLEASE CALL YOUR SALES REP

TIMKEN

TIMKEN® RACES: INCH DIMENSION

BORE SIZE	LENGTH THROUGH BORE	PART #
3.500" OD Race	.750" Wide — .13 //	M804010 TIMKEN
3.500" OD Race	.9063" Wide — .13 //	HM803110 TIMKEN
3.5425" OD Race	.7869" Wide — .09 //	28520 TIMKEN
3.5433" OD Race	.625" Wide — .08 //	362 TIMKEN
3.5433" OD Race	.7283" Wide — .02 //	JLM506810 TIMKEN
3.5433" OD Race	.7874" Wide — .03 //	363 TIMKEN
3.5433" OD Race	.9055" Wide — .10 //	JM205110 TIMKEN
3.548" OD Race	.8586" Wide — .09 //	352 TIMKEN
3.625" OD Race	.750" Wide — .03 //	25520 TIMKEN
3.625" OD Race	.7813" Wide — .03 //	28521 TIMKEN
3.6718" OD Race	.5938" Wide — .05 //	374 TIMKEN
3.6718" OD Race	.9375" Wide — .03 //	3730 TIMKEN
3.6718" OD Race	.9375" Wide — .13 //	3720 TIMKEN
3.6875" OD Race	1.000" Wide — .13 //	49368 TIMKEN
3.6875" OD Race	1.0313" Wide — .13 //	46368 TIMKEN
3.7402" OD Race	.748" Wide — .10 //	JLM508710 TIMKEN
3.7402" OD Race	.9252" Wide — .10 //	JM207010 TIMKEN
3.750" OD Race	.8125" Wide — .03 //	53375 TIMKEN
3.750" OD Race	.875" Wide — .03 //	HM903210 TIMKEN
3.750" OD Race	.875" Wide — .09 //	33821 TIMKEN
3.750" OD Race	.875" Wide — .09 //	432 TIMKEN
3.750" OD Race	.9063" Wide — .13 //	HM804810 TIMKEN
3.8125" OD Race	.625" Wide — .03 //	382A TIMKEN
3.8125" OD Race	.7656" Wide — .03 //	28621 TIMKEN
3.8125" OD Race	.7982" Wide — .09 //	382S TIMKEN
3.8437" OD Race	.7656" Wide — .03 //	28622 TIMKEN
3.875" OD Race	.7018" Wide — .03 //	382 TIMKEN
3.875" OD Race	.7656" Wide — .03 //	28623 TIMKEN
3.9362" OD Race	.750" Wide — .06 //	28919 TIMKEN
3.937" OD Race	.7018" Wide — .08 //	383A TIMKEN
3.937" OD Race	.7813" Wide — .13 //	28921 TIMKEN
3.937" OD Race	.8268" Wide — .08 //	383 TIMKEN
3.9385" OD Race	.9375" Wide — .03 //	3733 TIMKEN

TAPERED ROLLER
BEARINGS

FOR MORE COMPREHENSIVE DIMENSIONS, PLEASE CALL YOUR SALES REP

TIMKEN® RACES: INCH DIMENSION
TIMKEN

BORE SIZE	LENGTH THROUGH BORE	PART #
4.000" OD Race	.7813" Wide — .13 //	28920 TIMKEN
4.000" OD Race	1.0625" Wide — .13 //	522 TIMKEN
4.0635" OD Race	.472" Wide — .03 //	L812111 TIMKEN
4.125" OD Race	.625" Wide — .08 //	39412 TIMKEN
4.125" OD Race	.9375" Wide — .03 //	45221 TIMKEN
4.125" OD Race	.9375" Wide — .13 //	45220 TIMKEN
4.125" OD Race	.9687" Wide — .13 //	453X TIMKEN
4.125" OD Race	1.125" Wide — .13 //	HM807010 TIMKEN
4.125" OD Race	1.3125" Wide — .13 //	4535 TIMKEN
4.1339" OD Race	.7283" Wide — .04 //	JLM710910 TIMKEN
4.1339" OD Race	1.1417" Wide — .10 //	JHM807012 TIMKEN
4.250" OD Race	.750" Wide — .13 //	29520 TIMKEN
4.250" OD Race	.875" Wide — .03 //	453A TIMKEN
4.250" OD Race	1.063" Wide — .03 //	452 TIMKEN
4.250" OD Race	1.063" Wide — .03 //	453 TIMKEN
4.3125" OD Race	.5938" Wide — .06 //	L814710 TIMKEN
4.3307" OD Race	.7411" Wide — .05 //	394A TIMKEN
4.3307" OD Race	.7411" Wide — .13 //	394AS TIMKEN
4.3307" OD Race	.750" Wide — .05 //	29521 TIMKEN
4.3307" OD Race	.8071" Wide — .10 //	JLM813010 TIMKEN
4.3307" OD Race	.8661" Wide — .03 //	394 TIMKEN
4.3307" OD Race	.8858" Wide — .10 //	JM511910 TIMKEN
4.3307" OD Race	1.063" Wide — .03 //	393 TIMKEN
4.3307" OD Race	1.063" Wide — .08 //	454 TIMKEN
4.375" OD Race	.8125" Wide — .13 //	55437 TIMKEN
4.375" OD Race	1.1875" Wide — .13 //	532A TIMKEN
4.4375" OD Race	.750" Wide — .13 //	29620 TIMKEN
4.4375" OD Race	.9375" Wide — .13 //	3920 TIMKEN
4.4375" OD Race	.9375" Wide — .13 //	39520 TIMKEN
4.5276" OD Race	.748" Wide — .10 //	JLM714110 TIMKEN
4.5276" OD Race	.9055" Wide — .10 //	JM612910 TIMKEN
4.625" OD Race	.750" Wide — .13 //	LM814810 TIMKEN
4.625" OD Race	.9375" Wide — .13 //	33462 TIMKEN

TAPERED ROLLER BEARINGS
FOR MORE COMPREHENSIVE DIMENSIONS, PLEASE CALL YOUR SALES REP

TIMKEN

TIMKEN® RACES: INCH DIMENSION

BORE SIZE	LENGTH THROUGH BORE	PART #
4.7244" OD Race	.923" Wide — .03 //	33472 TIMKEN
4.7244" OD Race	.923" Wide — .13 //	472A TIMKEN
4.7244" OD Race	.9542" Wide — .08 //	472 TIMKEN
4.7244" OD Race	.9843" Wide — .10 //	JM714210 TIMKEN
4.750" OD Race	1.250" Wide — .13 //	612 TIMKEN
4.7812" OD Race	.6875" Wide — .08 //	34478 TIMKEN
4.8125" OD Race	1.170" Wide — .06 //	HM212010 TIMKEN
4.8125" OD Race	1.170" Wide — .13 //	HM212011 TIMKEN
4.8125" OD Race	1.1875" Wide — .13 //	553X TIMKEN
4.8125" OD Race	1.4375" Wide — .13 //	5535 TIMKEN
4.875" OD Race	1.1875" Wide — .13 //	552A TIMKEN
4.9375" OD Race	.7813" Wide — .06 //	27620 TIMKEN
5.000" OD Race	.875" Wide — .13 //	42620 TIMKEN
5.000" OD Race	1.0625" Wide — .13 //	HM813810 TIMKEN
5.000" OD Race	1.125" Wide — .13 //	563 TIMKEN
5.000" OD Race	1.375" Wide — .13 //	65500 TIMKEN
5.1181" OD Race	.9449" Wide — .10 //	JM716610 TIMKEN
5.1181" OD Race	1.220" Wide — .10 //	JM515610 TIMKEN
5.250" OD Race	.875" Wide — .13 //	492A TIMKEN
5.250" OD Race	1.0313" Wide — .13 //	47620 TIMKEN
5.250" OD Race	1.2813" Wide — .13 //	HM516410 TIMKEN
5.3150" OD Race	.5512" Wide — .10 //	JL819310 TIMKEN
5.375" OD Race	1.250" Wide — .13 //	632 TIMKEN
5.375" OD Race	1.4375" Wide — .13 //	H715311 TIMKEN
5.375" OD Race	.875" Wide — .13 //	493 TIMKEN
5.5115" OD Race	1.125" Wide — .13 //	572 TIMKEN
5.7087" OD Race	1.063" Wide — .10 //	JM718110 TIMKEN
5.750" OD Race	1.250" Wide — .13 //	653 TIMKEN
5.7864" OD Race	1.2795" Wide — .14 //	HM218210 TIMKEN
5.9055" OD Race	1.063" Wide — .10 //	JM719113 TIMKEN
5.909" OD Race	1.4375" Wide — .13 //	742 TIMKEN
6.000" OD Race	1.1875" Wide — .13 //	592A TIMKEN
6.000" OD Race	1.3125" Wide — .13 //	592 TIMKEN

TAPERED ROLLER
BEARINGS

FOR MORE COMPREHENSIVE DIMENSIONS, PLEASE CALL YOUR SALES REP

TIMKEN® RACES: INCH DIMENSION

TIMKEN

BORE SIZE	LENGTH THROUGH BORE	PART #
6.1024" OD Race	1.1024" Wide — .10 //	JM720210 TIMKEN
6.1875" OD Race	1.0313" Wide — .13 //	52618 TIMKEN
6.250" OD Race	.625" Wide — .13 //	37625 TIMKEN
6.2992" OD Race	1.2598" Wide — .10 //	JHM720210 TIMKEN
6.375" OD Race	1.0625" Wide — .13 //	48120 TIMKEN
6.375" OD Race	1.500" Wide — .13 //	752 TIMKEN
6.4961" OD Race	1.0433" Wide — .10 //	JM822010 TIMKEN
6.625" OD Race	1.1875" Wide — .13 //	672 TIMKEN
7.125" OD Race	1.000" Wide — .13 //	68712 TIMKEN
7.1875" OD Race	1.3125" Wide — .13 //	48220 TIMKEN
7.500" OD Race	1.375" Wide — .06 //	HM624710 TIMKEN
7.625" OD Race	.9063" Wide — .06 //	36620 TIMKEN
7.750" OD Race	1.500" Wide — .13 //	67322 TIMKEN
8.875" OD Race	1.3125" Wide — .13 //	46720 TIMKEN

TAPERED ROLLER BEARINGS

FOR MORE COMPREHENSIVE DIMENSIONS, PLEASE CALL YOUR SALES REP

TIMKEN

TIMKEN® BEARING SETS: CUP & CONE

Sets consist of bearing and race.



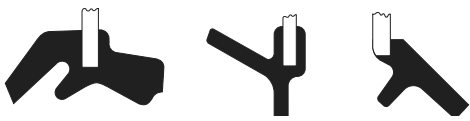



TAPERED ROLLER
BEARINGS

BORE SIZE	OD WIDTH	PART #
.6875" Bore Bearing	1.570" OD Race	SET 1 TIMKEN
.750" Bore Bearing	1.781" OD Race	SET 2 TIMKEN
.8437" Bore Bearing	1.9687" OD Race	SET 3 TIMKEN
.8656" Bore Bearing	1.781" OD Race	SET 12 TIMKEN
1.000" Bore Bearing	1.980" OD Race	SET 14 TIMKEN
1.000" Bore Bearing	1.9687" OD Race	SET 15 TIMKEN
1.0625" Bore Bearing	1.980" OD Race	SET 4 TIMKEN
1.1417" Bore Bearing	1.980" OD Race	SET 8 TIMKEN
1.250" Bore Bearing	2.328" OD Race	SET 6 TIMKEN
1.375" Bore Bearing	2.5625" OD Race	SET 5 TIMKEN
1.3775" Bore Bearing	2.328" OD Race	SET 13 TIMKEN
1.3775" Bore Bearing	2.3612" OD Race	SET 17 TIMKEN
1.4961" Bore Bearing	2.4803" OD Race	SET 11 TIMKEN
1.625" Bore Bearing	2.891" OD Race	SET 45 TIMKEN
1.7812" Bore Bearing	3.0625" OD Race	SET 37 TIMKEN

FOR MORE COMPREHENSIVE DIMENSIONS, PLEASE CALL YOUR SALES REP

GREASE SEAL TYPE DESIGN

TYPE & DESCRIPTION	CROSS SECTION DESIGN	TYPE NUMBERS
Spring Loaded Design, Single Lip		33, 35, 45, 48
Spring Loaded Design, Multi Lip		21, 25, 32, 41, 47, 61, 71, 74, 86, 87
Springless Designs, Single Lip for Grease Retention and Slow Speed Applications		45, 24, 31, 34, 44, 203, 204, 205, 279
Springless Designs, Multi Lip for Grease Retention and Slow Speed Applications		49, 286
External Lip to Seal at Bore, Slow Speed Applications		26, 200, 200E
Designed for Specific Application, Not Recommended for General Use		#
Utilized Oil Bath Seal Design		3

GREASE SEALS

GREASE SEALS: INCH DIMENSION

I.D. X O.D. X WIDTH	PART #	TYPE	I.D. X O.D. X WIDTH	PART #	TYPE
.250 x .505 x .187	343104	34	.687 x 1.191 x .187	474261	47
.375 x .691 x .156	311189	31	.687 x 1.254 x .250	471538	47
.375 x .756 x .250	340385	34	.687 x 1.379 x .250	471553	47
.375 x .883 x .312	350156	35	.687 x 1.628 x .250	471642	47
.437 x .880 x .250	472810	47	.750 x 1.005 x .125	312518	31
.437 x 1.007 x .250	6863S	35	.750 x 1.129 x .187	254270	25
.437 x 1.128 x .250	474277	47	.750 x 1.250 x .375	470141	47
.490 x 1.132 x .265	351028	35	.750 x 1.254 x .250	470954	47
.500 x .756 x .192	8792S	31	.750 x 1.254 x .250	470954V	47
.500 x .881 x .125	342613	34	.750 x 1.256 x .250	350954	35
.500 x 1.003 x .250	471442	47	.750 x 1.316 x .250	480821	48
.500 x 1.128 x .250	471526	47	.750 x 1.375 x .406	470027	47
.500 x 1.254 x .250	471472	47	.750 x 1.379 x .250	471554	47
.500 x 1.379 x .250	471549	47	.750 x 1.379 x .250	471554V	47
.562 x 1.004 x .250	472705	47	.750 x 1.379 x .312	470895	47
.562 x 1.128 x .250	471281	47	.750 x 1.503 x .250	471567	47
.562 x 1.379 x .250	471551	47	.750 x 1.565 x .375	450340	45
.625 x .820 x .093	340387	34	.750 x 1.579 x .312	471498	47
.625 x 1.03 x .250	7188S	33	.750 x 1.628 x .250	471643	47
.625 x 1.128 x .250	471466	47	.750 x 1.756 x .250	471684	47
.625 x 1.128 x .250	471466V	47	.750 x 1.756 x .312	471698	47
.625 x 1.135 x .175	240009	24	.750 x 1.832 x .375	473406	47
.625 x 1.250 x .375	450535	45	.750 x 1.878 x .250	470390	47
.625 x 1.254 x .250	471264	47	.750 x 1.987 x .250	473407	47
.625 x 1.379 x .250	471255	47	.750 x 2.015 x .312	472649	47
.625 x 1.379 x .250	471255V	47	.781 x 1.254 x .250	470601	47
.625 x 1.579 x .312	471612	47	.781 x 1.379 x .250	481443	48
.625 x 1.628 x .312	471653	47	.781 x 1.628 x .250	481644	48
.625 x 1.629 x .250	484114	48	.781 x 1.833 x .250	474273	47
.656 x 1.128 x .250	481528	47	.812 x 1.254 x .250	471539	47
.656 x 1.254 x .250	481537	48	.812 x 1.254 x .375	450431	45
.656 x 1.379 x .250	481073	48	.812 x 1.379 x .312	471231	47
.656 x 1.579 x .250	481397	48	.812 x 1.503 x .250	474253	47
.668 x 1.191 x .185	481481	48	.843 x 1.378 x .312	472452	47
.687 x 1.128 x .250	471529	47	.843 x 1.628 x .250	473414	47

GREASE SEALS

GREASE SEALS: INCH DIMENSION

I.D. X O.D. X WIDTH	PART #	TYPE	I.D. X O.D. X WIDTH	PART #	TYPE
.875 x 1.254 x .187	7840S	31	1.000 x 1.447 x .187	240414	24
.875 x 1.255 x .250	254287	25	1.000 x 1.503 x .250	471224	47
.875 x 1.316 x .250	340413	34	1.000 x 1.503 x .312	470553	47
.875 x 1.379 x .250	471267	47	1.000 x 1.503 x .390	470120	47
.875 x 1.379 x .250	471267V	47	1.000 x 1.507 x .250	340120	34
.875 x 1.379 x .312	470567	47	1.000 x 1.510 x .312	350909	35
.875 x 1.381 x .250	351267	35	1.000 x 1.565 x .250	471270	47
.875 x 1.503 x .250	471570	47	1.000 x 1.579 x .250	473380	47
.875 x 1.503 x .312	470680	47	1.000 x 1.628 x .250	471649	47
.875 x 1.581 x .250	471633	47	1.000 x 1.628 x .437	470219	47
.875 x 1.628 x .250	471646	47	1.000 x 1.690 x .250	474250	47
.875 x 1.756 x .250	470590	47	1.000 x 1.756 x .250	471689	47
.875 x 1.832 x .375	471137	47	1.000 x 1.756 x .437	470230	47
.875 x 1.878 x .250	471730	47	1.000 x 1.785 x .468	203005	203
.875 x 2.004 x .437	470645	47	1.000 x 1.785 x .468	204005	204
.905 x 1.348 x .315	222330	32	1.000 x 1.785 x .468	205005	205
.937 x 1.379 x .312	471015	47	1.000 x 1.832 x .296	450593	45
.937 x 1.503 x .250	471571	47	1.000 x 1.878 x .250	471733	47
.937 x 1.628 x .250	471647	47	1.000 x 1.987 x .250	471744	47
.937 x 1.756 x .250	474252	47	1.000 x 2.004 x .250	471760	47
.968 x 1.503 x .312	451583	45	1.000 x 2.051 x .312	472138	47
.968 x 1.579 x .375	450545	45	1.000 x 2.066 x .250	471619	47
.968 x 1.628 x .250	471648	48	1.000 x 2.066 x .375	453165	45
.968 x 1.756 x .250	471688	47	1.000 x 2.455 x .375	471516	47
.968 x 1.878 x .437	451082	45	1.031 x 1.579 x .312	471076	47
.968 x 2.052 x .375	482310	48	1.062 x 1.503 x .312	480210	48
.968 x 2.445 x .375	472238	47	1.062 x 1.628 x .250	471651	47
.984 x 1.503 x .250	472324	47	1.062 x 1.756 x .312	471705	47
.984 x 1.505 x .276	222535	32	1.062 x 1.832 x .375	473419	47
1.000 x 1.253 x .187	343098	34	1.062 x 1.832 x .437	450043	45
1.000 x 1.260 x .125	240731	24	1.062 x 1.878 x .250	471735	47
1.000 x 1.318 x .125	342517	34	1.062 x 1.967 x .437	450342	47
1.000 x 1.379 x .250	252277	25	1.062 x 2.004 x .250	471762	47
1.000 x 1.441 x .250	472311	47	1.062 x 2.066 x .375	473420	47
1.000 x 1.445 x .250	350414	35	1.062 x 2.839 x .375	472953	47

GREASE SEALS

GREASE SEALS: INCH DIMENSION

I.D. X O.D. X WIDTH	PART #	TYPE
1.093 x 1.832 x .437	450044	45
1.102 x 1.702 x .315	710119	32
1.125 x 1.381 x .125	340835	34
1.125 x 1.444 x .215	313842	31
1.125 x 1.505 x .250	340815	34
1.125 x 1.506 x .250	312140	31
1.125 x 1.565 x .250	472560N	47
1.125 x 1.565 x .375	50151S	55
1.125 x 1.567 x .250	352560	35
1.125 x 1.569 x .250	340151	34
1.125 x 1.628 x .245	482208	48
1.125 x 1.628 x .250	471652	47
1.125 x 1.756 x .250	471692	47
1.125 x 1.756 x .437	470189	47
1.125 x 1.785 x .250	204505	204
1.125 x 1.785 x .468	203020	203
1.125 x 1.785 x .468	204020	204
1.125 x 1.787 x .406	323133	32
1.125 x 1.832 x .312	476838	47
1.125 x 1.832 x .437	470045	45
1.125 x 1.859 x .312	350974	35
1.125 x 1.878 x .250	470712	47
1.125 x 1.878 x .437	470236	47
1.125 x 1.942 x .562	203003	203
1.125 x 1.942 x .625	205044	205
1.125 x 1.987 x .250	471747	47
1.125 x 2.004 x .250	471763	47
1.125 x 2.051 x .312	472644	47
1.125 x 2.066 x .250	471785	47
1.125 x 2.066 x .437	470241	47
1.125 x 2.129 x .250	481792	48
1.125 x 2.438 x .468	450332	45
1.125 x 2.441 x .250	473259	47
1.125 x 2.537 x .250	472535	47
1.125 x 2.839 x .375	472954	47

I.D. X O.D. X WIDTH	PART #	TYPE
1.125 x 2.879 x .468	450430	45
1.156 x 1.690 x .250	474260	47
1.156 x 1.756 x .312	471707N	47
1.156 x 1.878 x .250	471736	47
1.156 x 2.004 x .250	471764	47
1.156 x 2.839 x .375	472239	47
1.181 x 1.584 x .276	223005	48
1.187 x 1.690 x .375	470328	47
1.187 x 1.691 x .250	481213	48
1.187 x 1.756 x .250	473203	47
1.187 x 1.832 x .375	473425	47
1.187 x 1.878 x .250	472475	47
1.187 x 1.987 x .375	473426	47
1.187 x 2.004 x .250	471765	47
1.187 x 2.004 x .437	470162	47
1.187 x 2.066 x .250	471354	47
1.187 x 2.129 x .250	473205	47
1.187 x 2.169 x .250	472350	47
1.187 x 2.441 x .468	470347	47
1.187 x 2.445 x .375	472432	47
1.187 x 2.960 x .500	470946	47
1.218 x 1.972 x .468	203016	203
1.218 x 1.983 x .250	441319	44
1.218 x 1.983 x .406	203025	203
1.218 x 2.004 x .437	450173	45
1.250 x 1.505 x .125	343186	34
1.250 x 1.509 x .156	240736	24
1.250 x 1.630 x .188	251511	25
1.250 x 1.691 x .250	474278	47
1.250 x 1.691 x .252	323126	32
1.250 x 1.692 x .219	353135	35
1.250 x 1.696 x .218	340356	34
1.250 x 1.697 x .187	240356	24
1.250 x 1.754 x .250	7412S	48
1.250 x 1.756 x .250	471413	47

GREASE SEALS

GREASE SEALS: INCH DIMENSION

I.D. X O.D. X WIDTH	PART #	TYPE	I.D. X O.D. X WIDTH	PART #	TYPE
1.250 x 1.878 x .250	471737	47	1.301 x 2.004 x .437	471193	47
1.250 x 1.972 x .468	203012	203	1.312 x 1.878 x .375	473423	47
1.250 x 1.972 x .468	6906S	204	1.312 x 2.004 x .312	473210	47
1.250 x 1.983 x .250	204507	204	1.312 x 2.110 x .375	473421	47
1.250 x 1.983 x .406	203029	203	1.312 x 2.129 x .312	473211	47
1.250 x 1.983 x .406	204029	204	1.312 x 2.245 x .312	473212	47
1.250 x 1.987 x .250	471750	47	1.312 x 3.001 x .500	450147	45
1.250 x 1.987 x .250	7781S	203	1.343 x 2.129 x .375	473436	47
1.250 x 1.987 x .437	470049	47	1.343 x 2.378 x .500	450054	45
1.250 x 2.004 x .250	471766	47	1.350 x 2.575 x .706	8594S	62
1.250 x 2.004 x .250	40652S	4S	1.375 x 1.756 x .187	340853	34
1.250 x 2.004 x .290	200338	200	1.375 x 1.834 x .250	323138	32
1.250 x 2.004 x .437	410163	41	1.375 x 1.875 x .250	40395S	4S
1.250 x 2.004 x .437	470163	47	1.375 x 1.878 x .250	040395	4L
1.250 x 2.066 x .250	471787	47	1.375 x 1.878 x .250	472354	55
1.250 x 2.066 x .250	41787S	4S	1.375 x 1.878 x .437	50395S	55
1.250 x 2.066 x .437	470244	47	1.375 x 1.880 x .250	352354	32
1.250 x 2.110 x .468	450177	45	1.375 x 1.987 x .312	482163N	48
1.250 x 2.129 x .250	471795	47	1.375 x 2.004 x .250	40522S	4S
1.250 x 2.129 x .437	470245	47	1.375 x 2.004 x .312	472258	47
1.250 x 2.254 x .250	42081S	4S	1.375 x 2.004 x .328	480570	48
1.250 x 2.254 x .500	470165	47	1.375 x 2.004 x .375	471268N	47
1.250 x 2.256 x .375	471801	47	1.375 x 2.051 x .312	472642	47
1.250 x 2.378 x .375	471808	47	1.375 x 2.066 x .375	470774	47
1.250 x 2.441 x .375	471818	47	1.375 x 2.066 x .437	470403	47
1.250 x 2.445 x .375	471407	47	1.375 x 2.110 x .312	472287	47
1.250 x 2.506 x .375	471833	47	1.375 x 2.129 x .312	471192	47
1.250 x 2.690 x .375	481859	48	1.375 x 2.129 x .437	470135	47
1.250 x 2.717 x .468	450341	45	1.375 x 2.254 x .250	40169S	4S
1.250 x 2.839 x .468	470806	47	1.375 x 2.254 x .312	473214	47
1.250 x 2.881 x .250	472536	47	1.375 x 2.254 x .500	470169	47
1.250 x 3.160 x .500	453279	45	1.375 x 2.254 x .713	7495S	61
1.260 x 2.058 x .276	223255	35	1.375 x 2.332 x .406	204027	204
1.260 x 2.098 x .276	223253	32	1.375 x 2.378 x .250	43089S	4S
1.281 x 2.004 x .375	473424	47	1.375 x 2.378 x .312	473215	47

GREASE SEALS

GREASE SEALS: INCH DIMENSION

I.D. X O.D. X WIDTH	PART #	TYPE	I.D. X O.D. X WIDTH	PART #	TYPE
1.375 x 2.441 x .375	470950	47	1.500 x 1.987 x .437	452554N	45
1.375 x 2.445 x .375	471276	47	1.500 x 1.988 x .250	474276	47
1.375 x 2.506 x .375	471835	47	1.500 x 2.004 x .312	481163	48
1.375 x 2.506 x .500	450444	45	1.500 x 2.010 x .187	240319	24
1.375 x 2.565 x .375	473258	47	1.500 x 2.052 x .375	472466	47
1.375 x 2.627 x .375	472843	47	1.500 x 2.066 x .250	480630	48
1.375 x 2.690 x .500	450776	45	1.500 x 2.066 x .375	480991	48
1.375 x 2.720 x .468	450456	45	1.500 x 2.066 x .437	470451	47
1.375 x 2.723 x .375	323125	32	1.500 x 2.129 x .312	473227	47
1.375 x 2.839 x .312	473197	47	1.500 x 2.129 x .437	470394	47
1.375 x 2.839 x .375	472658	47	1.500 x 2.226 x .312	480844	48
1.375 x 2.839 x .468	450452	45	1.500 x 2.254 x .250	005115	47
1.375 x 2.879 x .468	471105	47	1.500 x 2.254 x .312	470625	47
1.375 x 3.005 x .500	470989	47	1.500 x 2.254 x .375	470548	45
1.375 x 3.154 x .375	471379	47	1.500 x 2.258 x .312	453065	45
1.375 x 3.355 x .468	450492	45	1.500 x 2.260 x .270	200859	200
1.378 x 1.859 x .276	223510	35	1.500 x 2.332 x .406	203013	203
1.378 x 1.976 x .433	710324	32	1.500 x 2.332 x .406	204013	204
1.378 x 2.167 x .577	003543	57	1.500 x 2.378 x .250	40059S	4S
1.378 x 2.172 x .315	473823	47	1.500 x 2.378 x .312	470380	47
1.378 x 2.215 x .394	223543	32	1.500 x 2.378 x .500	410059	41
1.378 x 2.217 x .354	2007N	#	1.500 x 2.378 x .500	470059	47
1.399 x 2.254 x .250	470672	47	1.500 x 2.381 x .470	9613S	71
1.437 x 2.066 x .312	003395	47	1.500 x 2.441 x .375	471820	47
1.437 x 2.254 x .312	473016	47	1.500 x 2.445 x .375	471344	47
1.437 x 2.378 x .312	473225	47	1.500 x 2.482 x .290	200861	200E
1.437 x 2.441 x .312	474264	47	1.500 x 2.506 x .312	473228	47
1.437 x 2.506 x .312	473226	47	1.500 x 2.565 x .500	410190	41
1.437 x 2.754 x .500	470808	47	1.500 x 2.627 x .250	41461S	4S
1.468 x 2.379 x .375	473438	47	1.500 x 2.627 x .500	451857	45
1.495 x 2.138 x .276	239146	48	1.500 x 2.690 x .500	470487	47
1.500 x 1.879 x .250	253099	25	1.500 x 2.720 x .468	450984	45
1.500 x 1.880 x .250	343099	34	1.500 x 2.754 x .312	473440	47
1.500 x 1.942 x .250	42260S	4S	1.500 x 2.754 x .500	450461	45
1.500 x 1.987 x .437	472554	47	1.500 x 2.763 x .312	474281	47

GREASE SEALS

GREASE SEALS: INCH DIMENSION

I.D. X O.D. X WIDTH	PART #	TYPE
1.500 x 2.879 x .468	450523	41
1.500 x 3.001 x .500	450326	45
1.500 x 3.005 x .375	471958	47
1.500 x 3.155 x .500	472446	47
1.500 x 3.194 x .437	450540	45
1.500 x 3.548 x .500	455308	45
1.531 x 2.378 x .375	452222	45
1.531 x 2.379 x .375	472222	47
1.552 x 3.165 x .530	005778	72
1.562 x 2.066 x .200	7994S	44
1.562 x 2.129 x .375	473517	47
1.562 x 2.257 x .290	200887	200E
1.562 x 2.378 x .250	40438S	4S
1.562 x 2.378 x .312	472299	48
1.562 x 2.441 x .375	471821	47
1.562 x 2.441 x .468	470064	41
1.562 x 2.445 x .375	471827	47
1.562 x 2.506 x .312	473229	47
1.562 x 2.565 x .500	450143	45
1.562 x 2.621 x .285	200640	200E
1.562 x 2.627 x .312	470682	47
1.562 x 2.690 x .375	005796	201
1.562 x 2.690 x .375	471316	47
1.562 x 2.701 x .250	6336S	26
1.562 x 2.754 x .375	473441	47
1.562 x 2.879 x .375	473442	47
1.562 x 3.155 x .312	473490	47
1.575 x 2.058 x .276	224015	32
1.575 x 2.058 x .276	224052	32
1.575 x 2.169 x .315	473677	47
1.575 x 2.570 x .394	224100	35
1.578 x 2.412 x .500	450666	45
1.593 x 2.441 x .468	450065	45
1.594 x 2.129 x .250	480581	48
1.610 x 2.531 x .300	6283S	26

I.D. X O.D. X WIDTH	PART #	TYPE
1.618 x 2.579 x .500	8835S	33
1.625 x 2.004 x .250	473694	47
1.625 x 2.120 x .312	472419	47
1.625 x 2.129 x .250	481181N	48
1.625 x 2.254 x .312	473230	47
1.625 x 2.332 x .406	204017	204
1.625 x 2.332 x .437	205017	205
1.625 x 2.332 x .437	473117	47
1.625 x 2.378 x .312	473231	47
1.625 x 2.441 x .312	473367	47
1.625 x 2.441 x .375	471419	47
1.625 x 2.441 x .468	450066	45
1.625 x 2.441 x .468	470066	47
1.625 x 2.445 x .375	471829	47
1.625 x 2.467 x .250	200641	200E
1.625 x 2.506 x .312	473010	47
1.625 x 2.506 x .312	473010V	47
1.625 x 2.506 x .500	450194	45
1.625 x 2.565 x .375	474216	47
1.625 x 2.566 x .250	204500	4S
1.625 x 2.566 x .375	291099	29
1.625 x 2.566 x .437	4763S	#
1.625 x 2.627 x .312	473232	47
1.625 x 2.627 x .500	450069	45
1.625 x 2.629 x .250	40568S	4S
1.625 x 2.690 x .375	481864	48
1.625 x 2.750 x .375	473443	47
1.625 x 2.754 x .250	040286	4L
1.625 x 2.754 x .312	474274	47
1.625 x 2.879 x .375	473444	47
1.625 x 2.879 x .468	450078	45
1.625 x 3.004 x .312	414268	41
1.625 x 3.005 x .500	450539	41
1.625 x 3.066 x .500	450335	45
1.625 x 3.256 x .500	450467	45

GREASE SEALS

GREASE SEALS: INCH DIMENSION

I.D. X O.D. X WIDTH	PART #	TYPE	I.D. X O.D. X WIDTH	PART #	TYPE
1.656 x 2.506 x .500	450260	45	1.750 x 2.453 x .312	473157	47
1.656 x 2.627 x .455	7457N	1S	1.750 x 2.506 x .312	472164	47
1.656 x 2.690 x .500	450073	45	1.750 x 2.506 x .375	450494	45
1.670 x 2.690 x .500	452086	45	1.750 x 2.506 x .500	450352	45
1.687 x 2.285 x .250	353141	35	1.750 x 2.565 x .250	204502	204
1.687 x 2.332 x .312	473317	47	1.750 x 2.565 x .500	450361	45
1.687 x 2.332 x .500	203008	203	1.750 x 2.565 x .500	470361	48
1.687 x 2.332 x .500	204008	204	1.750 x 2.566 x .250	472193	47
1.687 x 2.378 x .312	473233	47	1.750 x 2.566 x .500	203015	203
1.687 x 2.441 x .312	473445	47	1.750 x 2.570 x .312	473796	47
1.687 x 2.506 x .312	473234	47	1.750 x 2.627 x .290	200335	200
1.687 x 2.506 x .500	450154	45	1.750 x 2.627 x .312	472185	47
1.687 x 2.565 x .500	470460	47	1.750 x 2.627 x .500	450070	45
1.687 x 2.627 x .312	473235	47	1.750 x 2.690 x .375	470334	47
1.687 x 2.627 x .375	440265	44	1.750 x 2.690 x .500	450076	45
1.687 x 2.690 x .500	470074	41	1.750 x 2.721 x .359	204038	204
1.687 x 2.706 x .250	7381S	24	1.750 x 2.721 x .406	204002	204
1.687 x 2.720 x .468	450765	45	1.750 x 2.721 x .406	203002	203
1.687 x 2.725 x .290	200886	200E	1.750 x 2.722 x .359	200354	200
1.687 x 2.754 x .312	473236	47	1.750 x 2.728 x .294	200854	200
1.687 x 2.839 x .468	470596	47	1.750 x 2.750 x .312	472179	47
1.687 x 2.879 x .375	473446	47	1.750 x 2.751 x .437	323119	32
1.687 x 3.194 x .437	450533	45	1.750 x 2.754 x .500	450183	45
1.703 x 3.039 x .500	710067	69	1.750 x 2.756 x .375	473447	47
1.718 x 2.565 x .500	442251	44	1.750 x 2.876 x .285	200600	200
1.718 x 2.565 x .500	473336	47	1.750 x 2.879 x .375	471141	47
1.739 x 3.008 x .500	006818	71	1.750 x 3.001 x .375	473448	47
1.750 x 2.254 x .359	450400	45	1.750 x 3.005 x .375	471984	47
1.750 x 2.258 x .187	6703S	35	1.750 x 3.066 x .375	473313	47
1.750 x 2.332 x .437	482126	48	1.750 x 3.066 x .485	710005	86
1.750 x 2.378 x .312	473237	47	1.750 x 3.159 x .312	482267	48
1.750 x 2.441 x .250	43071S	4S	1.750 x 3.194 x .437	470088	47
1.750 x 2.441 x .312	471504	47	1.750 x 3.548 x .500	455536	45
1.750 x 2.441 x .468	470351	47	1.751 x 2.533 x .290	200895	200
1.750 x 2.445 x .375	471831	47	1.772 x 2.445 x .236	494122	49

GREASE SEALS

GREASE SEALS: INCH DIMENSION

I.D. X O.D. X WIDTH	PART #	TYPE	I.D. X O.D. X WIDTH	PART #	TYPE
1.781 x 2.506 x .312	452742	45	1.875 x 3.066 x .375	473457	47
1.781 x 2.754 x .500	450285	45	1.875 x 3.130 x .312	473240	47
1.812 x 2.332 x .437	444116	44	1.875 x 3.155 x .250	715100	#
1.812 x 2.441 x .468	451817	45	1.875 x 3.256 x .500	451078	45
1.812 x 2.566 x .500	203006	203	1.875 x 3.376 x .468	410524	41
1.812 x 2.627 x .375	472070	47	1.937 x 2.437 x .250	474269	47
1.812 x 2.690 x .375	471866	47	1.937 x 2.506 x .375	471195	47
1.812 x 2.722 x .270	7186S	200	1.937 x 2.506 x .375	481195	48
1.812 x 2.754 x .375	473449	47	1.937 x 2.565 x .500	471854	47
1.812 x 2.762 x .500	480281	48	1.937 x 2.566 x .317	710058	48
1.812 x 3.096 x .485	004278	86	1.937 x 2.627 x .312	472319	47
1.812 x 3.194 x .437	450090	45	1.937 x 2.690 x .312	473459	47
1.813 x 2.413 x .300	710409	#	1.937 x 2.690 x .375	471869	47
1.843 x 2.627 x .375	473451	47	1.937 x 2.754 x .312	473241	47
1.873 x 2.684 x .544	8521S	200E	1.937 x 2.830 x .292	9150S	25
1.873 x 2.806 x .281	200752	200E	1.937 x 2.879 x .312	472144	47
1.875 x 2.475 x .437	472747	47	1.937 x 3.001 x .375	473460	47
1.875 x 2.506 x .312	473454	47	1.937 x 3.005 x .312	472394	47
1.875 x 2.506 x .375	472041	47	1.937 x 3.066 x .375	473461	47
1.875 x 2.565 x .528	002692	76	1.937 x 3.130 x .375	471391	47
1.875 x 2.571 x .312	350936	35	1.937 x 3.194 x .375	473462	47
1.875 x 2.627 x .250	40071S	4S	1.937 x 3.548 x .375	417474	41
1.875 x 2.627 x .312	472439	47	1.937 x 3.628 x .468	476509	47
1.875 x 2.690 x .375	471868	47	1.937 x 3.756 x .500	456057	45
1.875 x 2.725 x .394	710388	32	1.940 x 2.505 x .250	006815	286
1.875 x 2.754 x .312	472572	47	1.940 x 2.910 x .400	710281	74
1.875 x 2.762 x .375	473179	47	1.945 x 2.895 x .290	200371	200
1.875 x 2.762 x .425	6712NA	74	1.968 x 2.690 x .500	450472	45
1.875 x 2.786 x .500	414045	41	1.968 x 2.879 x .468	450474	45
1.875 x 2.879 x .312	473238	47	1.969 x 3.712 x .945	710071	#
1.875 x 2.879 x .468	450082	45	1.991 x 2.975 x .290	200885	200
1.875 x 3.000 x .437	203034	203	1.996 x 2.878 x .250	008998	44
1.875 x 3.001 x .500	450084	45	10.000 x 11.008 x .625	417605	41
1.875 x 3.005 x .312	473239	47	2.000 x 2.500 x .250	710025	#
1.875 x 3.005 x .500	450298	45	2.000 x 2.506 x .250	040401	4L

GREASE SEALS

GREASE SEALS: INCH DIMENSION

I.D. X O.D. X WIDTH	PART #	TYPE
2.000 x 2.508 x .250	352541	35
2.000 x 2.565 x .549	9015S	44
2.000 x 2.566 x .220	008871	286
2.000 x 2.566 x .250	004739	282
2.000 x 2.627 x .312	471424	47
2.000 x 2.627 x .312	471424V	47
2.000 x 2.629 x .285	9406S	279
2.000 x 2.690 x .375	471870	47
2.000 x 2.690 x .437	471883	47
2.000 x 2.717 x .468	450446	45
2.000 x 2.720 x .468	470543	47
2.000 x 2.721 x .375	474272	47
2.000 x 2.750 x .375	331107N	33
2.000 x 2.754 x .250	40389S	4S
2.000 x 2.754 x .312	472492	47
2.000 x 2.754 x .500	450389	45
2.000 x 2.824 x .294	200881	200E
2.000 x 2.839 x .375	472653	47
2.000 x 2.879 x .312	472924	47
2.000 x 2.879 x .703	6163S	21
2.000 x 2.884 x .375	472082	47
2.000 x 3.000 x .500	410085	47
2.000 x 3.001 x .375	470530	45
2.000 x 3.001 x .500	450085	41
2.000 x 3.003 x .438	714654	47
2.000 x 3.005 x .250	40301S	4S
2.000 x 3.005 x .312	472397	47
2.000 x 3.005 x .500	450301	45
2.000 x 3.066 x .250	204508	204
2.000 x 3.066 x .375	473463	47
2.000 x 3.130 x .312	473242	47
2.000 x 3.155 x .375	412725	41
2.000 x 3.256 x .437	412027	41
2.000 x 3.355 x .468	412028	41
2.000 x 3.376 x .468	410102	41

I.D. X O.D. X WIDTH	PART #	TYPE
2.000 x 3.505 x .500	415627	41
2.000 x 3.548 x .500	455253	45
2.000 x 3.628 x .250	204506	204
2.000 x 3.628 x .375	487945	48
2.008 x 2.485 x .236	494123	49
2.008 x 2.563 x .276	225110	47
2.058 x 3.154 x .270	200110	200
2.062 x 2.879 x .437	451948	45
2.062 x 3.001 x .375	473466	47
2.062 x 3.005 x .375	472012	47
2.062 x 3.066 x .500	450307	47
2.062 x 3.130 x .500	450311	45
2.062 x 3.194 x .437	416738	41
2.062 x 3.194 x .437	450096	45
2.062 x 3.256 x .500	450313	45
2.062 x 3.376 x .468	450343	45
2.093 x 2.721 x .406	6590S	204
2.093 x 2.754 x .250	41013S	4S
2.125 x 2.754 x .375	473204	46
2.125 x 2.762 x .437	471950	47
2.125 x 2.879 x .250	40566S	4S
2.125 x 2.879 x .375	470898	47
2.125 x 2.879 x .437	450867	48
2.125 x 2.879 x .468	450365	45
2.125 x 3.001 x .375	473467	47
2.125 x 3.001 x .500	450115	45
2.125 x 3.005 x .375	472015	47
2.125 x 3.066 x .375	473468	47
2.125 x 3.066 x .500	410308	41
2.125 x 3.066 x .500	450308	45
2.125 x 3.130 x .375	472016	47
2.125 x 3.194 x .375	472409	47
2.125 x 3.194 x .437	450121	45
2.125 x 3.256 x .375	473243	47
2.125 x 3.355 x .375	413469	41

GREASE SEALS

GREASE SEALS: INCH DIMENSION

I.D. X O.D. X WIDTH	PART #	TYPE	I.D. X O.D. X WIDTH	PART #	TYPE
2.125 x 3.376 x .375	413470	41	2.250 x 3.376 x .375	412920	41
2.125 x 3.376 x .375	440972	44	2.250 x 3.376 x .375	442109	41
2.125 x 3.376 x .468	410972N	41	2.250 x 3.376 x .468	450132	45
2.125 x 3.505 x .375	416267	41	2.250 x 3.486 x .500	455136	45
2.125 x 3.548 x .500	415349	41	2.250 x 3.500 x .500	455093	45
2.125 x 3.628 x .468	455080	45	2.250 x 3.505 x .375	411376	41
2.126 x 2.882 x .375	453066	45	2.250 x 3.628 x .468	415234	41
2.129 x 2.895 x .250	42101S	45	2.250 x 3.756 x .500	415259	41
2.156 x 3.194 x .437	450621	45	2.250 x 4.008 x .468	415254	41
2.187 x 2.879 x .375	473244	47	2.283 x 3.159 x .375	493291	49
2.187 x 3.005 x .375	472018	47	2.296 x 3.153 x .359	204035	204
2.187 x 3.066 x .375	473471	47	2.312 x 3.005 x .250	442874	44
2.187 x 3.125 x .375	472020	47	2.312 x 3.130 x .375	472150	47
2.187 x 3.194 x .437	470354	47	2.312 x 3.256 x .375	411394	41
2.187 x 3.256 x .375	473245	47	2.312 x 3.256 x .500	450317	45
2.187 x 3.355 x .375	412943	41	2.312 x 3.376 x .468	450133	45
2.187 x 3.376 x .375	413472	41	2.312 x 3.505 x .375	416444	41
2.187 x 3.505 x .375	416268	41	2.312 x 3.756 x .500	455321	45
2.187 x 3.628 x .468	415350	41	2.325 x 3.130 x .313	710430	#
2.205 x 2.846 x .453	225650	32	2.375 x 3.005 x .250	41026S	4S
2.250 x 2.879 x .250	43034S	4S	2.375 x 3.066 x .375	473474	47
2.250 x 3.001 x .437	471341	47	2.375 x 3.130 x .375	470565	47
2.250 x 3.001 x .500	450441	45	2.375 x 3.256 x .375	413246	41
2.250 x 3.005 x .250	40520S	4S	2.375 x 3.355 x .375	412119	41
2.250 x 3.005 x .375	471272	47	2.375 x 3.355 x .438	472856	47
2.250 x 3.005 x .500	410520	41	2.375 x 3.355 x .468	410101N	41
2.250 x 3.066 x .375	473473	47	2.375 x 3.376 x .375	413247	41
2.250 x 3.130 x .375	471138	47	2.375 x 3.486 x .437	410987	41
2.250 x 3.194 x .437	410737	41	2.375 x 3.500 x .500	475095N	47
2.250 x 3.250 x .285	200763	200E	2.375 x 3.505 x .375	416271	41
2.250 x 3.256 x .375	472636	47	2.375 x 3.548 x .375	412861	41
2.250 x 3.256 x .500	450316	45	2.375 x 3.606 x .437	415857	41
2.250 x 3.256 x .500	410316	41	2.375 x 3.616 x .290	200855	200E
2.250 x 3.355 x .375	411253	41	2.375 x 3.628 x .375	410825	41
2.250 x 3.355 x .468	450099	45	2.375 x 3.628 x .468	475380N	47

GREASE SEALS

GREASE SEALS: INCH DIMENSION

I.D. X O.D. X WIDTH	PART #	TYPE
2.375 x 3.756 x .500	416071	41
2.375 x 3.881 x .375	417480	41
2.375 x 3.881 x .468	455860	45
2.375 x 4.504 x .391	714512	87
2.420 x 3.005 x .382	004160	281
2.437 x 3.130 x .375	471887	47
2.437 x 3.256 x .437	412040	41
2.437 x 3.355 x .375	411500	41
2.437 x 3.375 x .375	413478	41
2.437 x 3.505 x .375	411245	41
2.437 x 3.548 x .375	417073	41
2.474 x 3.548 x .285	6575S	200
2.496 x 3.772 x .315	200851	200E
2.500 x 3.155 x .315	473476	47
2.500 x 3.252 x .500	410752	41
2.500 x 3.256 x .312	442380	44
2.500 x 3.256 x .375	471271	47
2.500 x 3.307 x .465	004250	74
2.500 x 3.355 x .468	410496	41
2.500 x 3.376 x .375	470605	47
2.500 x 3.433 x .375	473274	47
2.500 x 3.505 x .250	444042	44
2.500 x 3.505 x .375	415449	41
2.500 x 3.505 x .500	455147	45
2.500 x 3.505 x .500	415147N	45
2.500 x 3.548 x .500	415001	41
2.500 x 3.548 x .500	455001	41
2.500 x 3.628 x .375	416273	47
2.500 x 3.756 x .500	455079	45
2.500 x 3.881 x .468	415082	41
2.500 x 4.008 x .468	455655	45
2.500 x 4.260 x .500	355732	35
2.556 x 3.942 x .375	476514	47
2.562 x 3.505 x .375	415302	41
2.562 x 3.628 x .375	415988	41

I.D. X O.D. X WIDTH	PART #	TYPE
2.562 x 3.756 x .375	417481	41
2.562 x 3.777 x .490	009943	#
2.562 x 3.881 x .468	455280	45
2.625 x 3.355 x .375	412871	41
2.625 x 3.356 x .468	450329	45
2.625 x 3.376 x .375	413248	41
2.625 x 3.379 x .468	410708	41
2.625 x 3.486 x .500	450412	45
2.625 x 3.505 x .375	415483	41
2.625 x 3.543 x .375	417079	41
2.625 x 3.624 x .375	475458	47
2.625 x 3.628 x .375	415458	41
2.625 x 3.628 x .468	415003	41
2.625 x 3.628 x .468	455003	45
2.625 x 3.628 x .468	475003N	47
2.625 x 3.756 x .375	417343	41
2.625 x 3.818 x .415	200392	200
2.625 x 4.441 x .437	418027	41
2.625 x 4.524 x .468	416278	41
2.648 x 3.817 x .500	486857	48
2.687 x 3.505 x .500	455434	45
2.687 x 3.756 x .500	455151	45
2.687 x 3.881 x .468	455008	45
2.750 x 3.505 x .375	416664	41
2.750 x 3.628 x .375	415984	41
2.750 x 3.756 x .250	46997S	4S
2.750 x 3.756 x .375	417316	41
2.750 x 3.756 x .500	415004	41
2.750 x 3.756 x .500	455004	45
2.750 x 3.881 x .375	415960	41
2.750 x 3.881 x .468	415009	41
2.750 x 3.881 x .468	455009	41
2.750 x 4.008 x .375	416706	41
2.750 x 4.008 x .468	415272N	47
2.750 x 4.130 x .562	476281	35

GREASE SEALS

GREASE SEALS: INCH DIMENSION

I.D. X O.D. X WIDTH	PART #	TYPE	I.D. X O.D. X WIDTH	PART #	TYPE
2.750 x 4.254 x .468	416282	41	3.000 x 4.008 x .468	415013	45
2.756 x 3.556 x .394	227040	35	3.000 x 4.130 x .437	417351	41
2.812 x 3.880 x .437	417485	41	3.000 x 4.130 x .562	455154	45
2.812 x 4.008 x .468	475384	47	3.000 x 4.254 x .437	417487	41
2.875 x 3.548 x .315	474230	47	3.000 x 4.254 x .468	455086	45
2.875 x 3.756 x .375	417344	41	3.000 x 4.254 x .468	415086N	45
2.875 x 3.756 x .500	455006	45	3.000 x 4.336 x .500	415962	41
2.875 x 3.756 x .500	455006N	45	3.000 x 4.381 x .500	417488	41
2.875 x 3.881 x .375	417158	41	3.000 x 4.500 x .468	415088	41
2.875 x 3.881 x .468	455355	45	3.000 x 4.500 x .468	455088	45
2.875 x 3.889 x .500	370150A	3	3.000 x 4.506 x .468	477163N	47
2.875 x 4.008 x .375	416921	41	3.000 x 4.756 x .625	416370	47
2.875 x 4.008 x .468	455011	45	3.000 x 4.881 x .625	455820	45
2.875 x 4.130 x .375	417134	41	3.000 x 5.004 x .468	455019	41
2.875 x 4.504 x .468	455144	45	3.125 x 4.008 x .375	416404	41
2.937 x 3.756 x .375	416956	41	3.125 x 4.130 x .375	417621	41
2.937 x 3.881 x .375	417159	41	3.125 x 4.130 x .500	416011	41
2.937 x 3.942 x .500	416500	41	3.125 x 4.179 x .290	8976S	49
2.937 x 4.008 x .375	416654	41	3.125 x 4.254 x .500	416288	41
2.937 x 4.008 x .468	455012	45	3.125 x 4.254 x .625	415016N	41
2.937 x 4.008 x .468	475012N	47	3.125 x 4.381 x .500	417171	41
2.937 x 4.130 x .375	417486	41	3.125 x 4.504 x .468	455336	45
2.937 x 4.504 x .468	455356	45	3.125 x 4.506 x .500	417172	41
2.953 x 3.672 x .354	001019	32	3.125 x 4.631 x .437	416297	41
2.953 x 4.729 x .320	200322	200	3.125 x 5.004 x .468	415021	41
3.000 x 3.505 x .313	710028	#	3.187 x 4.254 x .468	456105	45
3.000 x 3.756 x .375	476023N	47	3.187 x 5.004 x .468	455022	45
3.000 x 3.756 x .437	417349	41	3.250 x 4.008 x .375	417433	41
3.000 x 3.881 x .468	455479	45	3.250 x 4.008 x .468	415563	41
3.000 x 3.941 x .500	455509	45	3.250 x 4.130 x .562	455566	45
3.000 x 4.004 x .437	453182	45	3.250 x 4.254 x .375	476470	47
3.000 x 4.008 x .250	45013S	4S	3.250 x 4.254 x .500	415304	41
3.000 x 4.008 x .375	415995	41	3.250 x 4.381 x .500	417181	41
3.000 x 4.008 x .437	415836	41	3.250 x 4.506 x .375	418028	41
3.000 x 4.008 x .468	455013	45	3.250 x 4.506 x .500	417352	41

GREASE SEALS

GREASE SEALS: INCH DIMENSION

I.D. X O.D. X WIDTH	PART #	TYPE	I.D. X O.D. X WIDTH	PART #	TYPE
3.250 x 4.507 x .718	6584S	74	3.500 x 5.256 x .468	415559	41
3.250 x 4.600 x .315	7208S	200E	3.500 x 5.756 x .562	455396	45
3.250 x 4.632 x .500	417353	41	3.562 x 4.504 x .468	415498	41
3.250 x 4.729 x .468	415577	41	3.562 x 4.756 x .500	417497	41
3.250 x 4.756 x .484	456305	45	3.625 x 4.381 x .375	456744N	41
3.250 x 5.256 x .468	455328	45	3.625 x 4.381 x .375	417698	41
3.298 x 4.130 x .562	455500	45	3.625 x 4.504 x .468	415389	41
3.298 x 4.130 x .562	475500	47	3.625 x 4.631 x .437	416332	41
3.312 x 4.254 x .500	416292	41	3.625 x 4.756 x .500	415937	41
3.312 x 4.381 x .500	417491	41	3.625 x 4.810 x .395	200603	200E
3.312 x 4.504 x .468	415085	41	3.625 x 4.879 x .585	485497	48
3.312 x 4.506 x .468	456648	45	3.625 x 5.004 x .500	416125	41
3.330 x 4.130 x .562	477055	47	3.625 x 5.750 x .562	415436	41
3.375 x 4.130 x .375	415442	41	3.687 x 4.756 x .500	417501	41
3.375 x 4.254 x .500	416294	41	3.750 x 4.506 x .468	415983	41
3.375 x 4.381 x .375	412473	41	3.750 x 4.506 x .468	415983N	41
3.375 x 4.381 x .500	415894	41	3.750 x 4.632 x .500	416041	41
3.375 x 4.504 x .468	455165	41	3.750 x 4.756 x .500	415379	41
3.375 x 4.632 x .500	417354	41	3.750 x 5.004 x .500	416339	41
3.375 x 5.000 x .468	415025	41	3.750 x 5.256 x .468	415150	41
3.437 x 4.254 x .375	418029	41	3.750 x 5.381 x .500	416127	41
3.437 x 4.254 x .625	455499	45	3.812 x 5.256 x .468	455189	45
3.437 x 4.506 x .375	417492	41	3.875 x 4.756 x .375	417210	41
3.437 x 4.631 x .500	417493	41	3.875 x 5.004 x .500	416345	41
3.437 x 5.004 x .468	455026	45	3.875 x 5.256 x .500	417366	41
3.437 x 5.256 x .468	455471	45	3.875 x 5.381 x .500	455958	45
3.500 x 4.381 x .500	416624	41	3.880 x 5.695 x .500	456618	45
3.500 x 4.506 x .468	415991	41	3.937 x 5.004 x .468	415034	41
3.500 x 4.506 x .468	415991N	41	3.937 x 5.506 x .500	417506	41
3.500 x 4.631 x .500	417196	41	4.000 x 5.004 x .468	415035	41
3.500 x 4.756 x .500	415437	41	4.000 x 5.004 x .500	415953	41
3.500 x 4.848 x .875	6638S	#	4.000 x 5.004 x .500	415953V	41
3.500 x 4.881 x .500	417198	41	4.000 x 5.256 x .500	417357	41
3.500 x 5.004 x .468	415027	41	4.000 x 5.381 x .500	416130	41
3.500 x 5.131 x .500	417495	41	4.000 x 5.756 x .562	415041	41

GREASE SEALS

GREASE SEALS: INCH DIMENSION

I.D. X O.D. X WIDTH	PART #	TYPE	I.D. X O.D. X WIDTH	PART #	TYPE
4.125 x 5.005 x .468	455134	41	5.125 x 6.256 x .500	417258	41
4.125 x 5.256 x .468	415142	41	5.250 x 6.256 x .500	417262V	41
4.125 x 5.756 x .562	415043	41	5.250 x 6.256 x .500	417262	41
4.166 x 5.506 x .600	9128S	45	5.250 x 6.507 x .562	415645	41
4.187 x 5.004 x .468	415295	41	5.375 x 6.757 x .500	417554	41
4.187 x 5.256 x .468	455194	45	5.500 x 6.507 x .562	417254	41
4.187 x 6.256 x .500	417516	41	5.640 x 7.507 x .605	370119A	3
4.250 x 5.256 x .375	472157	47	5.750 x 6.882 x .562	417363	41
4.250 x 5.256 x .468	455195	45	5.751 x 6.632 x .625	415447	41
4.250 x 5.256 x .500	416556	41	5.875 x 7.133 x .500	416476	41
4.250 x 5.506 x .500	416891	41	6.000 x 7.007 x .500	415683	41
4.312 x 5.756 x .500	417520	41	6.000 x 7.132 x .562	417365	41
4.312 x 6.005 x .500	416144	41	6.000 x 7.508 x .562	415072	41
4.375 x 5.381 x .500	415425	41	6.250 x 7.758 x .500	417562	41
4.375 x 5.506 x .500	416380	41	6.375 x 7.883 x .500	417563	41
4.375 x 6.005 x .500	416149	41	6.500 x 7.508 x .562	415294	41
4.500 x 5.506 x .500	416888	41	7.000 x 8.509 x .625	416239	41
4.500 x 5.631 x .500	416153	41	7.125 x 8.632 x .560	416077	41
4.500 x 5.756 x .500	416892	41	8.000 x 9.508 x .625	417601	41
4.500 x 6.007 x .500	416154	41			
4.500 x 6.256 x .500	415351	41			
4.625 x 5.506 x .562	456641	45			
4.625 x 5.756 x .562	415371	41			
4.625 x 6.007 x .500	416158	41			
4.625 x 6.008 x .840	370025A	3			
4.684 x 5.756 x .500	415284	41			
4.687 x 6.256 x .500	417536	41			
4.750 x 5.756 x .500	415138	41			
4.750 x 5.880 x .500	417538	41			
4.750 x 6.000 x .500	417247	41			
4.750 x 6.625 x 1.141	6663S	89			
4.875 x 6.007 x .625	455091	45			
5.000 x 6.256 x .500	416865	41			
5.000 x 6.381 x .500	417278	41			
5.062 x 6.382 x .625	455290	45			

GREASE SEALS

GREASE SEALS: METRIC DIMENSION

I.D. X O.D. X WIDTH	PART #	TYPE
100mm x 120mm x 12mm	100X120X12	32
100mm x 125mm x 12mm	100X125X12	32
105mm x 130mm x 12mm	105X130X12	32
110mm x 130mm x 12mm	110X130X12	32
110mm x 140mm x 12mm	110X140X12	32
110mm x 140mm x 13mm	110X140X13	32
110mm x 145mm x 13mm	110X145X13	35
115mm x 140mm x 12mm	115X140X12	32
115mm x 145mm x 13mm	115X145X13	35
120mm x 150mm x 12mm	120X150X12	32
120mm x 155mm x 16mm	120X155X16	32
125mm x 160mm x 12mm	125X160X12	32
12mm x 22mm x 7mm	12X22X7	35
12mm x 24mm x 7mm	12X24X7	32
12mm x 25mm x 7mm	12X25X7	32
130mm x 160mm x 12mm	130X160X12	32
140mm x 170mm x 12mm	140X170X12	32
14mm x 24mm x 7mm	14X24X7	32
14mm x 25mm x 5mm	14X25X5	32
15mm x 24mm x 7mm	15X24X7	32
15mm x 25mm x 7mm	15X25X7	35
15mm x 25mm x 6mm	15X25X6	32
15mm x 26mm x 7mm	15X26X7	32
15mm x 28mm x 7mm	15X28X7	32
15mm x 30mm x 7mm	15X30X7	32
15mm x 32mm x 8mm	15X32X8	32
15mm x 35mm x 7mm	15X35X7	32
16mm x 24mm x 5mm	16X24X5	35
16mm x 35mm x 7mm	16X35X7	32
170mm x 200mm x 15mm	170X200X15	32
17mm x 30mm x 7mm	17X30X7	32
17mm x 32mm x 7mm	17X32X7	32
17mm x 35mm x 7mm	17X35X7	32
17mm x 40mm x 7mm	17X40X7	32

I.D. X O.D. X WIDTH	PART #	TYPE
180mm x 210mm x 15mm	180X210X15	32
18mm x 30mm x 7mm	18X30X7	32
18mm x 35mm x 7mm	18X35X7	32
190mm x 220mm x 15mm	190X220X15	32
19mm x 32mm x 7mm	19X32X7	32
20mm x 30mm x 5mm	20X30X5	35
20mm x 32mm x 7mm	20X32X7	35
20mm x 35mm x 7mm	20X35X7	32
20mm x 40mm x 7mm	20X40X7	32
20mm x 42mm x 10mm	20X42X10	45
20mm x 47mm x 7mm	20X47X7	32
20mm x 52mm x 7mm	20X52X7	32
22mm x 32mm x 7mm	22X32X7	32
22mm x 35mm x 7mm	22X35X7	32
22mm x 36mm x 7mm	22X36X7	32
22mm x 38mm x 8mm	22X38X8	32
22mm x 42mm x 7mm	22X42X7	32
22mm x 47mm x 7mm	22X47X7	32
22mm x 50mm x 8mm	22X50X8	32
24mm x 38mm x 7mm	24X38X7	32
25mm x 35mm x 10mm	25X35X5	32
25mm x 35mm x 6mm	25X35X6	32
25mm x 36mm x 7mm	25X36X7	32
25mm x 37mm x 5mm	25X37X5	32
25mm x 37mm x 7mm	25X37X7	32
25mm x 38mm x 7mm	25X38X7	32
25mm x 40mm x 7mm	25X40X7	32
25mm x 42mm x 8mm	25X42X8	32
25mm x 45mm x 8mm	25X45X8	32
25mm x 46mm x 7mm	25X46X7	32
25mm x 47mm x 5mm	25X47X10	32
25mm x 47mm x 7mm	25X47X7	32
25mm x 48mm x 8mm	25X48X8	32
25mm x 50mm x 10mm	25X50X10	35

GREASE SEALS

GREASE SEALS: METRIC DIMENSION

I.D. X O.D. X WIDTH	PART #	TYPE	I.D. X O.D. X WIDTH	PART #	TYPE
25mm x 52mm x 7mm	25X52X7	32	34mm x 55mm x 9mm	34X55X9	32
25mm x 62mm x 7mm	25X62X7	32	35mm x 45mm x 7mm	35X45X7	35
26mm x 38mm x 5mm	26X38X5	32	35mm x 47mm x 7mm	35X47X7	35
26mm x 40mm x 7mm	26X40X7	32	35mm x 48mm x 8mm	35X48X8	35
26mm x 42mm x 10mm	26X42X10	32	35mm x 50mm x 7mm	35X50X7	32
26mm x 42mm x 7mm	26X42X7	32	35mm x 50mm x 8mm	35X50X8	35
26mm x 47mm x 7mm	26X47X7	32	35mm x 52mm x 7mm	35X52X7	32
26mm x 52mm x 8mm	26X52X8	32	35mm x 54mm x 8mm	35X54X8	35
28mm x 38mm x 7mm	28X38X7	32	35mm x 55mm x 11mm	35X55X11	32
28mm x 40mm x 7mm	28X40X7	32	35mm x 55mm x 8mm	35X55X8	47
28mm x 42mm x 8mm	28X42X8	35	35mm x 56mm x 10mm	35X56X10	32
28mm x 45mm x 8mm	28X45X8	32	35mm x 56mm x 8mm	35X56X8	35
28mm x 47mm x 7mm	28X47X7	32	35mm x 58mm x 10mm	35X58X10	35
28mm x 48mm x 8mm	28X48X8	32	35mm x 60mm x 10mm	35X60X10	35
28mm x 52mm x 7mm	28X52X7	32	35mm x 60mm x 14mm	35X60X14	35
30mm x 40mm x 7mm	30X40X7	32	35mm x 62mm x 7mm	35X62X7	32
30mm x 42mm x 7mm	30X42X7	35	35mm x 62mm x 10mm	35X62X10	32
30mm x 45mm x 8mm	30X45X8	32	35mm x 65mm x 10mm	35X65X10	32
30mm x 47mm x 7mm	30X47X7	32	35mm x 72mm x 8mm	35X72X8	32
30mm x 48mm x 8mm	30X48X8	32	35mm x 80mm x 8mm	35X80X8	32
30mm x 50mm x 7mm	30X50X7	32	36mm x 47mm x 7mm	36X47X7	35
30mm x 52mm x 7mm	30X52X7	35	36mm x 56mm x 10mm	36X56X10	35
30mm x 55mm x 7mm	30X55X7	47	36mm x 62mm x 7mm	36X62X7	32
30mm x 62mm x 7mm	30X62X7	32	36mm x 68mm x 10mm	36X68X10	35
30mm x 72mm x 7mm	30X72X7	47	38mm x 50mm x 7mm	38X50X7	35
32mm x 42mm x 7mm	32X42X7	35	38mm x 55mm x 7mm	38X55X7	32
32mm x 45mm x 7mm	32X45X7	32	38mm x 58mm x 8mm	38X58X8	47
32mm x 47mm x 7mm	32X47X7	35	38mm x 60mm x 8mm	38X60X8	32
32mm x 50mm x 8mm	32X50X8	35	38mm x 62mm x 7mm	38X62X7	32
32mm x 52mm x 7mm	32X52X7	32	38mm x 65mm x 8mm	38X65X8	32
32mm x 62mm x 8mm	32X62X8	32	38mm x 70mm x 10mm	38X70X10	35
33mm x 52mm x 6mm	33X52X6	32	38mm x 72mm x 10mm	38X72X10	35
34mm x 45mm x 8mm	34X45X8	32	40mm x 50mm x 8mm	40X50X8	35
34mm x 54mm x 9mm	34X54X9	35	40mm x 52mm x 7mm	40X52X7	32

GREASE SEALS

GREASE SEALS: METRIC DIMENSION

I.D. X O.D. X WIDTH	PART #	TYPE
40mm x 54mm x 6mm	40X54X6	47
40mm x 55mm x 8mm	40X55X8	32
40mm x 56mm x 7mm	40X56X7	32
40mm x 58mm x 10mm	40X58X10	32
40mm x 58mm x 8mm	40X58X8	32
40mm x 58mm x 9mm	3459	74
40mm x 60mm x 10mm	40X60X10	32
40mm x 60mm x 8mm	40X60X8	32
40mm x 62mm x 7mm	40X62X7	35
40mm x 62mm x 8mm	40X62X8	32
40mm x 65mm x 10mm	40X65X10	32
40mm x 68mm x 10mm	40X68X10	32
40mm x 68mm x 12mm	40X68X12	35
40mm x 68mm x 8mm	40X68X8	35
40mm x 70mm x 8mm	40X70X8	32
40mm x 72mm x 7mm	40X72X7	35
40mm x 75mm x 8mm	40X75X8	32
40mm x 80mm x 10mm	40X80X10	35
40mm x 80mm x 12mm	40X80X12	35
40mm x 90mm x 8mm	40X90X8	35
42mm x 55mm x 7mm	42X55X7	32
42mm x 56mm x 7mm	42X56X7	32
42mm x 58mm x 7mm	42X58X7	48
42mm x 60mm x 7mm	42X60X7	32
42mm x 62mm x 8mm	42X62X8	35
42mm x 65mm x 10mm	42X65X10	47
42mm x 68mm x 10mm	42X68X10	32
42mm x 68mm x 8mm	42X68X8	32
42mm x 70mm x 10mm	42X70X10	32
42mm x 72mm x 10mm	42X72X10	32
42mm x 80mm x 8mm	42X80X8	32
44mm x 60mm x 7mm	44X60X7	32
44mm x 62mm x 8mm	44X62X8	32
44mm x 65mm x 10mm	44X65X10	35

I.D. X O.D. X WIDTH	PART #	TYPE
45mm x 60mm x 10mm	45X60X10	32
45mm x 60mm x 7mm	45X60X7	35
45mm x 60mm x 8mm	45X60X8	35
45mm x 62mm x 8mm	45X62X8	35
45mm x 65mm x 8mm	45X65X8	32
45mm x 68mm x 7mm	45X68X7	32
45mm x 70mm x 10mm	45X70X10	32
45mm x 72mm x 10mm	45X72X10	35
45mm x 72mm x 7mm	45X72X7	35
45mm x 75mm x 7mm	45X75X7	32
45mm x 80mm x 10mm	45X80X10	32
45mm x 85mm x 10mm	45X85X10	35
46mm x 70mm x 8mm	46X70X8	32
47mm x 62mm x 8mm	47X62X8	32
47mm x 68mm x 10mm	47X68X10	32
47mm x 70mm x 10mm	47X70X10	32
48mm x 62mm x 8mm	48X62X8	35
48mm x 68mm x 10mm	48X68X10	32
48mm x 70mm x 9mm	48X70X9	35
48mm x 72mm x 7mm	48X72X7	32
48mm x 80mm x 8mm	48X80X8	32
50mm x 60mm x 7mm	50X60X7	32
50mm x 62mm x 7mm	50X62X7	32
50mm x 65mm x 8mm	50X65X8	32
50mm x 68mm x 8mm	50X68X8	35
50mm x 70mm x 8mm	50X70X8	32
50mm x 70mm x 9mm	50X70X9	32
50mm x 72mm x 8mm	50X72X8	32
50mm x 80mm x 8mm	50X80X8	32
50mm x 90mm x 10mm	50X90X10	35
50mm x 90mm x 8mm	50X90X8	32
52mm x 62mm x 7mm	52X62X7	32
52mm x 65mm x 9mm	52X65X9	32
52mm x 68mm x 8mm	52X68X8	32

GREASE SEALS

GREASE SEALS: METRIC DIMENSION

I.D. X O.D. X WIDTH	PART #	TYPE	I.D. X O.D. X WIDTH	PART #	TYPE
52mm x 70mm x 8mm	52X70X8	32	65mm x 85mm x 10mm	65X85X10	32
52mm x 72mm x 8mm	52X72X8	35	65mm x 85mm x 8mm	65X85X8	35
52mm x 80mm x 10mm	52X80X10	32	65mm x 90mm x 10mm	65X90X10	32
52mm x 85mm x 10mm	52X85X10	32	68mm x 90mm x 10mm	68X90X10	32
52mm x 85mm x 7mm	52X85X7	32	70mm x 100mm x 13mm	70X100X13	35
53mm x 68mm x 10mm	53X68X10	32	70mm x 110mm x 10mm	70X110X10	35
55mm x 100mm x 13mm	55X100X13	45	70mm x 90mm x 10mm	70X90X10	32
55mm x 100mm x 7mm	55X100X7	32	70mm x 90mm x 7mm	70X90X7	32
55mm x 100mm x 8mm	55X100X8	32	70mm x 95mm x 10mm	70X95X10	32
55mm x 68mm x 8mm	55X68X8	32	72mm x 95mm x 10mm	72X95X10	32
55mm x 70mm x 8mm	55X70X8	35	75mm x 100mm x 12mm	75X100X12	32
55mm x 72mm x 8mm	55X72X8	32	75mm x 110mm x 12mm	75X110X12	32
55mm x 75mm x 8mm	55X75X8	35	75mm x 115mm x 12mm	75X115X12	35
55mm x 78mm x 10mm	55X78X10	32	75mm x 120mm x 10mm	75X120X10	32
55mm x 80mm x 8mm	55X80X8	32	75mm x 105mm x 13mm	75X105X13	32
55mm x 85mm x 10mm	55X85X10	32	80mm x 100mm x 10mm	80X100X10	35
55mm x 90mm x 10mm	55X90X10	32	80mm x 105mm x 10mm	80X105X10	32
55mm x 90mm x 13mm	55X90X13	32	80mm x 110mm x 10mm	80X110X10	32
55mm x 90mm x 8mm	55X90X8	32	80mm x 120mm x 10mm	80X120X10	32
56mm x 75mm x 8mm	56X75X8	32	85mm x 105mm x 10mm	85X105X10	32
58mm x 72mm x 8mm	58X72X8	32	85mm x 110mm x 10mm	85X110X10	32
58mm x 80mm x 8mm	58X80X8	32	85mm x 110mm x 12mm	85X110X12	32
60mm x 100mm x 10mm	60X100X10	32	85mm x 115mm x 13mm	85X115X13	32
60mm x 110mm x 8mm	60X110X8	32	85mm x 120mm x 12mm	85X120X12	32
60mm x 75mm x 8mm	60X75X8	32	90mm x 110mm x 12mm	90X110X12	32
60mm x 80mm x 8mm	60X80X8	32	90mm x 120mm x 12mm	90X120X12	35
60mm x 85mm x 8mm	60X85X8	32	95mm x 110mm x 9mm	95X110X9	35
60mm x 90mm x 8mm	60X90X8	32	95mm x 125mm x 12mm	95X125X12	35
60mm x 95mm x 8mm	60X95X8	32			
62mm x 100mm x 7mm	62X100X7	32			
62mm x 85mm x 8mm	62X85X8	41			
63mm x 85mm x 10mm	63X85X10	32			
65mm x 100mm x 10mm	65X100X10	35			
65mm x 80mm x 8mm	65X80X8	32			

GREASE SEALS