

AGRI INDUSTRIAL SUPPLY, INC.

CROSS HYDRAULIC CYLINDERS

ASAE and Non-ASAE	226-228
Cylinder Replacement Parts	229-232
Control Valves, Stops, and Filters	233-235

2020



CROSS HYDRAULIC CYLINDERS: ASAE & NON-ASAE: MADE IN THE USA



Cross DB cylinders provide long life and reliable operation due to superior design and quality workmanship.

- 2500 psi working pressure (4000 psi max. shock)
- 1500 psi on 4" bore, 1000 psi on 5" bore wihd std. pins
- Precision skived and burnished barrel for long life seal
- Hardened chrome plated rods resist damage and rust
- Double lipped polyurathane rod seals for les leakage
- Rod wipers clean dirt from rod to give long life



DB-ASAE Cylinders

The DB-ASAE cylinders are designed for use where ASAE 8" and 16" stroke cylinders are required. These cylinders have a uniform close center length: 20.25" for 8" and 31.50" for 16".

PART #	BORE	STROKE	ROD SIZE	CLOSED CENTER	PORT	PIN
208DB-ASAE	2"	8"	1.06"	20.25"	3/8"	1"
2508DB-ASAE	2-1/2"	8"	1.06"	20.25"	3/8"	1"
308DB-ASAE	3"	8"	1.25"	20.25"	1/2"	1"
316DB-ASAE	3"	16"	1.25"	31.50"	1/2"	1-1/4"
3508DB-ASAE	3-1/2"	8"	1.25"	20.25"	1/2"	1"
3516DB-ASAE	3-1/2"	16"	1.50"	31.50"	1/2"	1-1/4"
408DB-ASAE	4"	8"	1.25"	20.25"	1/2"	1"
416DB-ASAE	4"	16"	2.00"	31.50"	1/2"	1-1/4"
508DB-ASAE	5"	8"	1.50"	20.35"	1/2"	1"
516DB-ASAE	5"	16"	2.00"	31.50"	1/2"	1"

HYDRAULIC CYLINDERS & PARTS

DU-ASAE Cylinders

These DU-ASAE cylinders come with threaded rod for mechanical depth control.

PART #	BORE	STROKE	ROD SIZE	CLOSED CENTER	PORT	PIN
208DU-ASAE	2"	8"	1.06"	20.25"	3/8"	1"
2508DU-ASAE	2-1/2"	8"	1.06"	20.25"	3/8"	1"
308DU-ASAE	3"	8"	1.25"	20.25"	1/2"	1"
3508DU-ASAE	3-1/2"	8"	1.25"	20.25"	1/2"	1"
408DU-ASAE	4"	8"	1.25"	20.25"	1/2"	1"

DE-ASAE Cylinders with Mechanical Depth Stops

These are the same as the DB-ASAE cylinders except these include a mechanical depth stop.

PART #	BORE	STROKE	ROD SIZE	CLOSED CENTER	PORT	PIN
208DE	2"	8"	1-1/16"	20.25"	3/8"	1"
2508DE	2-1/2"	8"	1-1/16"	20.25"	3/8"	1"
308DE	3"	8"	1.25"	20.25"	1/2"	1"
3508DE	3-1/2"	8"	1.25"	20.25"	1/2"	1"
408DE	4"	8"	1.25"	20.25"	1/2"	1"



CROSS HYDRAULIC CYLINDERS: ASAE & NON-ASAE: MADE IN THE USA

Cross cylinders provide long life and reliable operation due to superior design and quality workmanship.

- Precision skived and burnished barrel for long life seal
- Hardened chrome plated rods resist damage and rust
- Double lipped polyurathane rod seals for less leakage
- Rod wipers clean dirt from rod to give long life



NON-ASAE Standard Cylinders

PART #	BORE	STROKE	ROD SIZE	CLOSED CENTER	PORT	PIN
204DB	2"	4"	1.06"	14.25"	3/8"	1"
206DB	2"	6"	1.06"	16.25"	3/8"	1"
208DB	2"	8"	1.06"	18.25"	3/8"	1"
210DB	2"	10"	1.06"	20.25"	3/8"	1"
212DB	2"	12"	1.06"	22.25"	3/8"	1"
214DB	2"	14"	1.06"	24.25"	3/8"	1"
216DB	2"	16"	1.06"	26.25"	3/8"	1"
218DB	2"	18"	1.06"	28.25"	3/8"	1"
220DB	2"	20"	1.06"	30.25"	3/8"	1"
2510DB	2-1/2"	10"	1.06"	20.25"	3/8"	1"
2512DB	2-1/2"	12"	1.06"	20.25"	3/8"	1"
2516DB	2-1/2"	16"	1.06"	30.25"	3/8"	1"
2520DB	2-1/2"	20"	1.25"	34.25"	3/8"	1"
2524DB	2-1/2"	24"	1.25"	34.25"	3/8"	1"
2530DB	2-1/2"	30"	1.25"	40.25"	3/8"	1"
308DB	3"	8"	1.25"	18.25"	1/2"	1"
310DB	3"	10"	1.25"	20.25"	1/2"	1"
312DB	3"	12"	1.25"	22.25"	1/2"	1"
314DB	3"	14"	1.25"	24.25"	1/2"	1"
316DB	3"	16"	1.25"	26.25"	1/2"	1"
318DB	3"	18"	1.25"	28.25"	1/2"	1"
320DB	3"	20"	1.25"	30.25"	1/2"	1"
324DB	3"	24"	1.50"	34.25"	1/2"	1"
330DB	3"	30"	1.50"	40.25"	1/2"	1"
332DB	3"	32"	1.50"	42.25"	1/2"	1"
336DB	3"	36"	1.50"	46.25"	1/2"	1"
3508DB	3 1/2"	8"	1.25"	18.25"	1/2"	1"
3510DB	3 1/2"	10"	1.25"	20.25"	1/2"	1"
3512DB	3-1/2"	12"	1.25"	22.25"	1/2"	1"
3514DB	3-1/2"	14"	1.25"	24.25"	1/2"	1"
3516DB	3-1/2"	16"	1.25"	26.25"	1/2"	1"
3520DB	3-1/2"	20"	1.50"	30.25"	1/2"	1"
3524DB	3-1/2"	24"	1.50"	34.25"	1/2"	1"
408DB	4"	8"	1.25"	18.62"	1/2"	1"
410DB	4"	10"	1.25"	20.62"	1/2"	1"
412DB	4"	12"	1.25"	22.62"	1/2"	1"
414DB	4"	14"	1.25"	24.62"	1/2"	1"
416DB	4"	16"	1.25"	26.62"	1/2"	1"
418DB	4"	18"	1.50"	28.62"	1/2"	1"
420DB	4"	20"	1.50"	30.62"	1/2"	1"
424DB	4"	24"	1.50"	34.62"	1/2"	1"

HYDRAULIC CYLINDERS
& PARTS

CROSS HYDRAULIC CYLINDERS: DCR & DR SERIES: MADE IN THE USA



DCR and DR cylinders incorporate an internal piston bypass for synchronizing (rephasing) cylinders in a series circuit. The DCR also features a hydraulic depth control with adjustment from 0" to 8" stroke for use as a master cylinder in a system with DR slave cylinders. These systems are widely used on tillage tool implements.

All cylinders are plumbed. Bores and rod diameters are volumetrically matched so that all cylinder rods move equal when stroked. At the end of stroke system is resynchronized through the piston bypass in each cylinder.

- 2500 psi work pressure
- Clevis mounting
- 3/4-16 SAE ports
- Hardened and chrome plated rods
- Close tolerance head seals to prevent system contamination
- Top porting DCR
- Ports in line with pins on DR



DCR Series

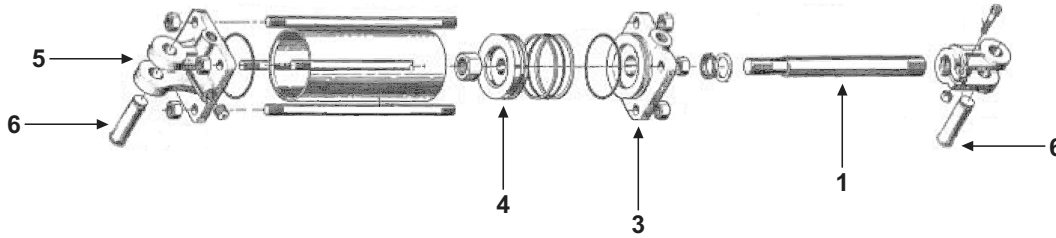
PART #	BORE	STROKE	CLOSED CENTER LENGTH	ROD DIAMETER	CLEVIS PIN DIAMETER
3508DCR	3-1/2"	8"	20-1/4"	1-1/4"	1"
408DCR	4"	8"	20-1/4"	1-3/8"	1"
508DCR	5"	8"	20-1/4"	1-1/2"	1-1/4"

DR Series

PART #	BORE	STROKE	CLOSED CENTER LENGTH	ROD DIAMETER	CLEVIS PIN DIAMETER
308DR	3"	8"	20-1/4"	1-1/4"	1"
32508DR	3-1/4"	8"	20-1/4"	1-1/4"	1"
3508DR	3-1/2"	8"	20-1/4"	1-1/4"	1"
37508DR	3-3/4"	8"	20-1/4"	1-3/8"	1"
408DR	4-1/4"	8"	20-1/4"	1-3/8"	1"
42508DR	4-1/4"	8"	20-1/4"	1-3/8"	1-1/4"
4508DR	4-1/2"	8"	20-1/4"	1-1/2"	1-1/4"
47508DR	4-3/4"	8"	20-1/4"	1-1/2"	1-1/4"
508DR	5"	8"	20-1/4"	1-1/2"	1-1/4"

HYDRAULIC CYLINDERS & PARTS

CYLINDER REPLACEMENT PARTS



204DB Cylinder 1.06" Rod

PART #	DESCRIPTION	LIST #
1D0203-875	Rod	1
1D1003-3	Clevis	2
1D1153-3	Head	3
1D1401-200	Piston	4
1D1503-3	Base	5
1D1551-16275	Pin	6
1C4244	Seal kit	

2508DB Cylinder 1.06" Rod

PART #	DESCRIPTION	LIST #
1D203-1475	Rod	1
1D1003-3	Clevis	2
1D1153-3	Head	3
1D1401-200	Piston	4
1D1503-3	Base	5
1D1551-16275	Pin	6
1C4244	Seal kit	

206DB Cylinder 1.06" Rod

PART #	DESCRIPTION	LIST #
1D203-1075	Rod	1
1D1003-3	Clevis	2
1D1153-3	Head	3
1D1401-200	Piston	4
1D1503-3	Base	5
1D1551-16275	Pin	6
1C4244	Seal kit	

210DB Cylinder 1.06" Rod

PART #	DESCRIPTION	LIST #
1D203-1475	Rod	1
1D1003-3	Clevis	2
1D1153-3	Head	3
1D1401-200	Piston	4
1D1503-3	Base	5
1D1551-16275	Pin	6
1C4244	Seal kit	

208DB Cylinder 1.06" Rod

PART #	DESCRIPTION	LIST #
1D203-1475	Rod	1
1D1003-3	Clevis	2
1D1153-3	Head	3
1D1401-200	Piston	4
1D1503-3	Base	5
1D1551-16275	Pin	6
1C4244	Seal kit	

212DB Cylinder 1.06" Rod

PART #	DESCRIPTION	LIST #
1D203-1675	Rod	1
1D1003-3	Clevis	2
1D1153-3	Head	3
1D1401-200	Piston	4
1D1503-3	Base	5
1D1551-16275	Pin	6
1C4244	Seal kit	

HYDRAULIC CYLINDERS & PARTS

CYLINDER REPLACEMENT PARTS
214DB Cylinder 1.06" Rod

PART #	DESCRIPTION	LIST #
1D0203-1875	Rod	1
1D1003-3	Clevis	2
1D1153-3	Head	3
1D1401-200	Piston	4
1D1503-3	Base	5
1D1551-16275	Pin	6
1C4244	Seal kit	

216DB Cylinder 1.06" Rod

PART #	DESCRIPTION	LIST #
1D0203-2075	Rod	1
1D1003-3	Clevis	2
1D1153-3	Head	3
1D1401-200	Piston	4
1D1503-3	Base	5
1D1551-16275	Pin	6
1C4244	Seal kit	

2510DB Cylinder 1.06" Rod

PART #	DESCRIPTION	LIST #
1D0206-1475	Rod	1
1D1003-3	Clevis	2
1D1155-3	Head	3
1D1401-250	Piston	4
1D1505-3	Base	5
1D1551-16275	Pin	6
1C4433	Seal kit	

2512DB Cylinder 1.06" Rod

PART #	DESCRIPTION	LIST #
1D0203-1675	Rod	1
1D1003-3	Clevis	2
1D1155-3	Head	3
1D1401-250	Piston	4
1D1505-3	Base	5
1D1551-16275	Pin	6
1C4433	Seal kit	

308DB ASAE Cylinder 1.25" Rod

PART #	DESCRIPTION	LIST #
1D0206-1275	Rod	1
1D1003-5	Clevis	2
1D1157-13	Head	3
1D1401-300	Piston	4
1D1507-4	Base	5
1D1551-16275	Pin	6
1C4629	Seal kit	

308DE Cylinder 1.25" Rod

PART #	DESCRIPTION	LIST #
1D0219-1475	Rod	1
1D1003-5	Clevis	2
1D1157-13	Head	3
1D1401-300	Piston	4
1D1507-4	Base	5
1D1551-16275	Pin	6
1C4629	Seal kit	

310DB Cylinder 1.25" Rod

PART #	DESCRIPTION	LIST #
1D206-1075	Rod	1
1D1003-5	Clevis	2
1D1157-13	Head	3
1D1401-300	Piston	4
1D1507-4	Base	5
1D1551-16275	Pin	6
1C4629	Seal kit	

312DB Cylinder 1.25" Rod

PART #	DESCRIPTION	LIST #
1D0206-1675	Rod	1
1D1003-5	Clevis	2
1D1157-13	Head	3
1D1401-300	Piston	4
1D1507-4	Base	5
1D1551-16300	Pin	6
1C4629	Seal kit	

CYLINDER REPLACEMENT PARTS**314DB Cylinder 1.25" Rod**

PART #	DESCRIPTION	LIST #
1D0206-1875	Rod	1
1D1003-5	Clevis	2
1D1157-13	Head	3
1D1401-300	Piston	4
1D1507-4	Base	5
1D1551-1551	Pin	6
1C4629	Seal kit	

3508DB ASAE Cylinder 1.25" Rod

PART #	DESCRIPTION	LIST #
1D0205-1462	Rod	1
1D1003-5	Clevis	2
1D1159-4	Head	3
1D1401-350	Piston	4
1D1509-4	Base	5
1D1551-16275	Pin	6
1C4429	Seal kit	

316DB Cylinder ASAE 1.25" Rod

PART #	DESCRIPTION	LIST #
1D0206-2525	Rod	1
1D1014-12	Clevis	2
1D1157-22	Head	3
1D1401-300	Piston	4
1D1507-4	Base	5
1D1551-20300	Pin	6
1C4629	Seal kit	

3508DE Cylinder 1.25" Rod

PART #	DESCRIPTION	LIST #
1D0215-1462	Rod	1
1D1013-5	Clevis	2
1D1159-4	Head	3
1D1401-350	Piston	4
1D1509-4	Base	5
1D1551-16300	Pin	6
1C4429	Seal kit	

318DB Cylinder 1.25" Rod

PART #	DESCRIPTION	LIST #
1D0206-2275	Rod	1
1D1003-5	Clevis	2
1D1157-13	Head	3
1D1401-300	Piston	4
1D1507-4	Base	5
1D1551-16275	Pin	6
1C4629	Seal kit	

3510DB Cylinder 1.25" Rod

PART #	DESCRIPTION	LIST #
1D0205-1462	Rod	1
1D1013-5	Clevis	2
1D1159-4	Head	3
1D1401-350	Piston	4
1D1509-4	Base	5
1D1551-16300	Pin	6
1C4429	Seal kit	

**HYDRAULIC CYLINDERS
& PARTS**
324DB Cylinder 1.50" Rod

PART #	DESCRIPTION	LIST #
1D0221-2862	Rod	1
1D1003-5	Clevis	2
1D1157-22	Head	3
1D1401-300	Piston	4
1D1507-4	Base	5
1D1551-16275	Pin	6
1C4630	Seal kit	

3512DB Cylinder 1.25" Rod

PART #	DESCRIPTION	LIST #
1D0205-1662	Rod	1
1D1013-5	Clevis	2
1D1159-4	Head	3
1D1401-350	Piston	4
1D1509-4	Base	5
1D1551-16300	Pin	6
1C4429	Seal kit	

CYLINDER REPLACEMENT PARTS
3516DB ASAE Cylinder 1.50" Rod

PART #	DESCRIPTION	LIST #
1D0222-2512	Rod	1
1D1014-12	Clevis	2
1D1159-13	Head	3
1D1401-350	Piston	4
1D1509-13	Base	5
1D1551-20300	Pin	6
1C4631	Seal kit	

408DB Cylinder 1.25" Rod

PART #	DESCRIPTION	LIST #
1D0207-1488	Rod	1
1D1013-5	Clevis	2
1D1161-4	Head	3
1D1401-400	Piston	4
1D1511-4	Base	5
1D1551-16275	Pin	6
1C4430	Seal kit	

408DE Cylinder 1.25" Rod

PART #	DESCRIPTION	LIST #
1D0220-1488	Rod	1
1D1013-5	Clevis	2
1D1161-4	Head	3
1D1401-400	Piston	4
1D1511-4	Base	5
1D1551-16300	Pin	6
1C4430	Seal kit	

410DB Cylinder 1.25" Rod

PART #	DESCRIPTION	LIST #
1D0207-1525	Rod	1
1D1013-5	Clevis	2
1D1161-4	Head	3
1D1401-400	Piston	4
1D1511-4	Base	5
1D1551-16275	Pin	6
1C4430	Seal kit	

412DB Cylinder 1.25" Rod

PART #	DESCRIPTION	LIST #
1D0207-1725	Rod	1
1D1013-5	Clevis	2
1D1161-4	Head	3
1D1401-400	Piston	4
1D1511-4	Base	5
1D1551-16300	Pin	6
1C4430	Seal kit	

416DB Cylinder 2.00" Rod

PART #	DESCRIPTION	LIST #
1D0210-2538	Rod	1
1D1014-12	Clevis	2
1D1161-22	Head	3
1D1401-400	Piston	4
1D1511-13	Base	5
1D1551-20300	Pin	6
1C4638	Seal kit	

424DB Cylinder 1.50" Rod

PART #	DESCRIPTION	LIST #
1D0208-2925	Rod	1
1D1003-5	Clevis	2
1D1161-13	Head	3
1D1401-400	Piston	4
1D1511-4	Base	5
1D1551-16275	Pin	6
1C4637	Seal kit	

508DB Cylinder 1.50" Rod

PART #	DESCRIPTION	LIST #
1D0209-1412	Rod	1
1D1013-5	Clevis	2
1D1165-4	Head	3
1D1401-500	Piston	4
1D1515-4	Base	5
1D1551-16275	Pin	6
1C4654	Seal kit	

Breather Plugs: plug type, aluminum body contains two (2) fine screens retained by star washer.

Agri Part #HCBP38 - 3/8" NPT • Agri Part #HCBP50 - 1/5" NPT

DIRECTIONAL HYDRAULIC CONTROL VALVES

Cross Series 3-Position, 4-Way Valve in 1-, 2-, or 3-Post Version with Float Available



Features:

- 2500 psi operating pressure
- 30 gpm flow rating
- 3/4" NPT (F) inlet and outlet ports
- 1/2" NPT (F) work ports
- Load holding cylinder port check valves
- Open center, spring centered
- Adjustable built in relief valve, set at 2000 psi
- Built in load checks for lifting

Applications:

- For operating double-acting cylinders or a reversible hydraulic motor
- Float position allows a loader or dozer blade to ride the contours of the ground as the machine moves forward

PART #	APPLICATION	DESCRIPTION
SBA2	A	Single spool, 3-position, 4-way open center
SBA2-CC	A	Single spool, 3-position, 4-way closed center
SBA22	A	Double spool, 3-position, 4-way open center
SBA22-CC	A	Double spool, 3-position, 4-way closed center
SBA222	A	Triple spool, 3-position, 4-way open center
SBA222-CC	A	Triple spool, 3-position, 4-way closed center
SBAF2	B	Double spool, 1st spool 4-position float, 2nd spool, 3-position open center
SBAF2-CC	B	Double spool, 1st spool 4-position float, 2nd spool, 3-position closed center
SBAF22	B	Triple spool, 1st spool 4-position float, 2nd and 3rd spool, 3-position open center
SBAF22-CC	B	Triple spool, 1st spool 4-position float, 2nd and 3rd spool, 3-position closed center

HYDRAULIC CYLINDERS
& PARTS

REPLACEMENT PARTS AVAILABLE FOR ALL HYDRAULIC VALVES

Ask Your Customer Rep For Details

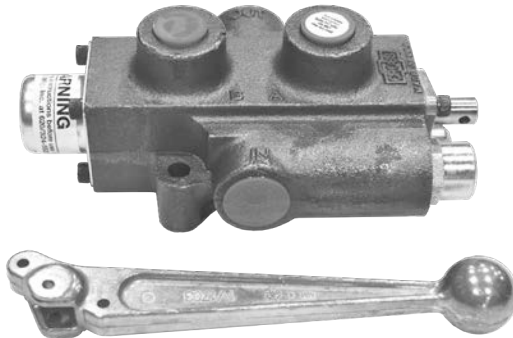


PART #	DESCRIPTION
JS5	Joystick Kit

Enables operator to operate a double spool independently or simultaneously by moving a single lever. Lubricated ball end swivels for extra spool operation.

HYDRAULIC VALVES, SELECTOR VALVES, RELIEF VALVES, & HYDRAULIC CYLINDER STOPS

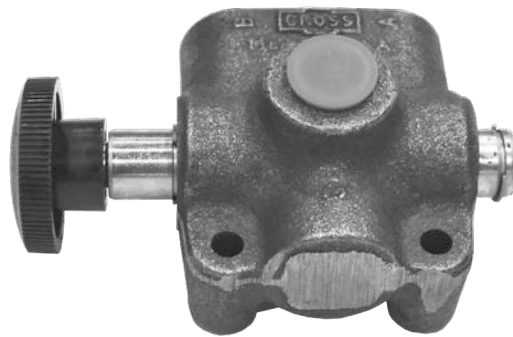
Economy Valve



PART # EV1

The Cross SCA Series is a rugged and dependable low cost valve. It is a series type recommended for all general purpose applications except heavy lifting loads in a vertical position. It will operate a double acting cylinder or a bidirectional motor required to hold a load in neutral. Single spool, 3-position, 4-way, 30 GPM flow rate, 1500 psi fixed relief, 3/4" in/out, 1/2" NPTF ports.

Selector Valve



PART # SV2

The Cross SVS series valve is a 2-position, 3-port unit that can be used for unidirectional cylinder and motor control, or for selecting one or two circuits from a single pump. 2500 psi operating pressure, 20 GPM rated flow, 1/2" NPTF port size.

HYDRAULIC CYLINDERS & PARTS

Relief Valve

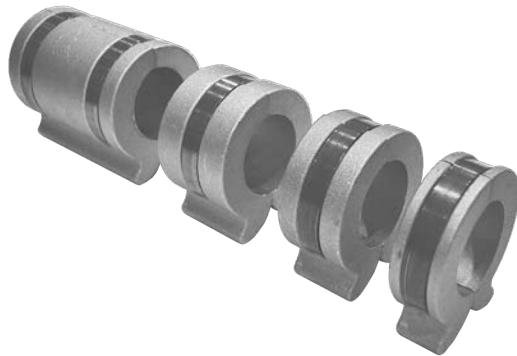


PART #	DESCRIPTION
SRDL	500-1500 psi range set at 1000 psi
SRDH	1500-3000 psi range set at 2000 psi

The Cross SRD series differential poppet type adjustable relief valves provide long life and smooth performance at an economical Ref. No.. This valve is used to protect pumps from damage due to over pressurization. 30 GPM flow rating, 3/4" NPTF ports.

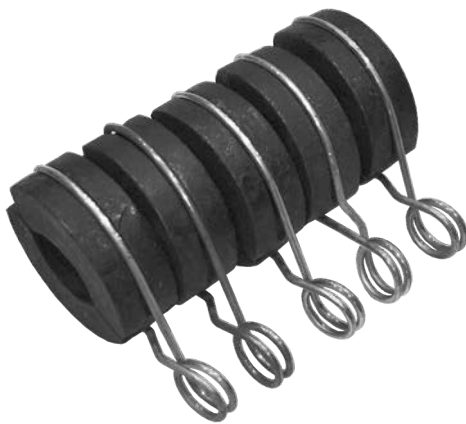
HYDRAULIC VALVES, SELECTOR VALVES, RELIEF VALVES, & HYDRAULIC CYLINDER STOPS

Hydraulic Cylinder Stops (Cast Aluminum)



PART #	DESCRIPTION
HCS1	Fits 1-1/8", 1-1/4", 1-3/8", and 1-1/2" shafts. Contains one (1) segment each of 3/4", 1", 1-1/4", and 1-1/2".
HCS2	Fits 1-3/4", 1-7/8", and 2" shafts. Contains one (1) segment of 1", 1-1/2", 2", and 4".

Hydraulic Cylinder Stops (Cast Iron)

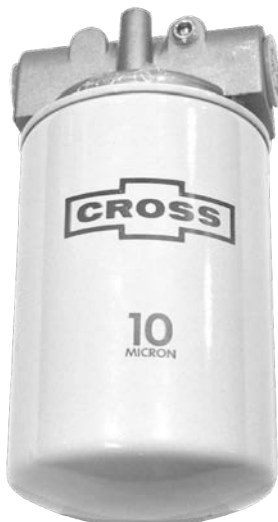


PART #	DESCRIPTION
HCS4	Fits shaft size 1" through 1-3/4". Contains five (5) segments: 1-1/4", 1-1/2", 1-3/4"; and two (2) pieces 1".
HCS5	1" individual segment fits 1" through 1-3/4" shaft
HCS6	1-1/4" individual segment fits 1" through 1-3/4" shaft
HCS7	1-1/2" individual segment fits 1" through 1-3/4" shaft
HCS8	1-3/4" individual segment fits 1" though 1-3/4" shaft

HYDRAULIC CYLINDERS & PARTS

Hydraulic Filters

The Cross series filters feature spin-on, throw-away type cartridges. 200 psi pressure rating.



PART #	DESCRIPTION
Part #HF1-10	3/4" port size, 10 micron
Part #HF2-10	1-1/4" port size, 10 micron
Part #HF2-25	1-1/4" port size, 25 micron
Part #HFRE1-10	Replacement element. 10 micron element. Fits Agri part #HF1-10.
Part #HFRE2-10	Replacement element. 25 micron element. Fits Agri part #HF2-10.
Part #HFRE2-25	Replacement element: 25 micron element. Fits Agri part #HF2-25.